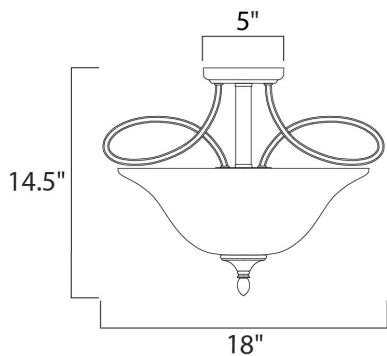




**PRODUCT DESCRIPTION**

Classic transitional design using oval shaped tubing finished in our popular Oil Rubbed Bronze with stately Wilshire glass shades.



**MEASUREMENTS**

DIMENSION : 18" L x 18" W x 14.5" H  
 CANOPY : 5" W x 1" H x 5" L  
 HANGING WEIGHT : 7.06 lb

**LAMPING**

INPUT VOLTAGE : 120V  
 BULB : 3 x 60W Incandescent E26 Medium , 180W Total  
 BULB INCLUDED : (Not Included)  
 DIMMABLE : Yes

**FINISHES OPTION**

 Oil Rubbed Bronze

**GLASS**

Wilshire WS

**MATERIAL**

Steel, Glass

**RATINGS**

cETLus  
 Dry Location



**ADDITIONAL**

OPERATING TEMPERATURE:  
 -20°C (-4°F), 40°C (104°F)

Always consult a qualified electrician before installing any lighting product.



**WESTERN DISTRIBUTION CENTER (HEADQUARTER)**  
 253 NORTH VINELAND AVE | CITY OF INDUSTRY, CA 91746  
**EASTERN DISTRIBUTION CENTER**  
 4200 SHIRLEY DR. | ATLANTA, GA 30336  
 P. 626.956.4200 | F. 626.956.4225 | maximlighting.com