

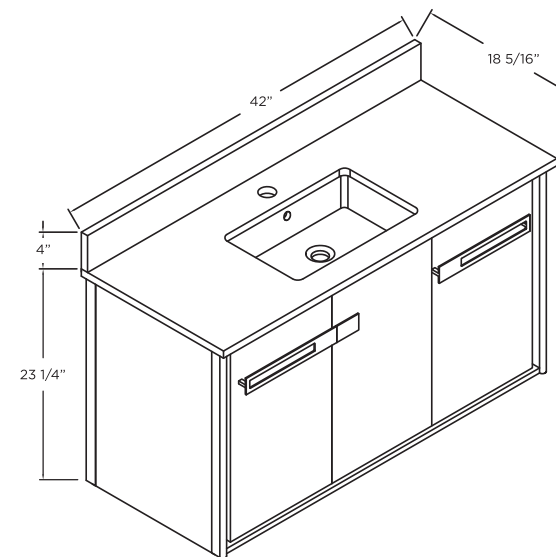
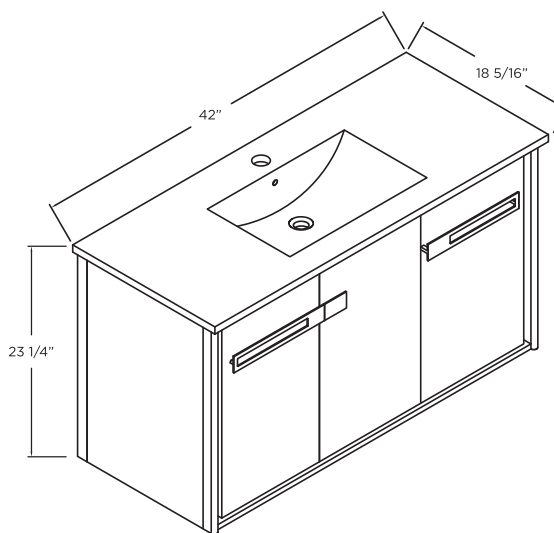
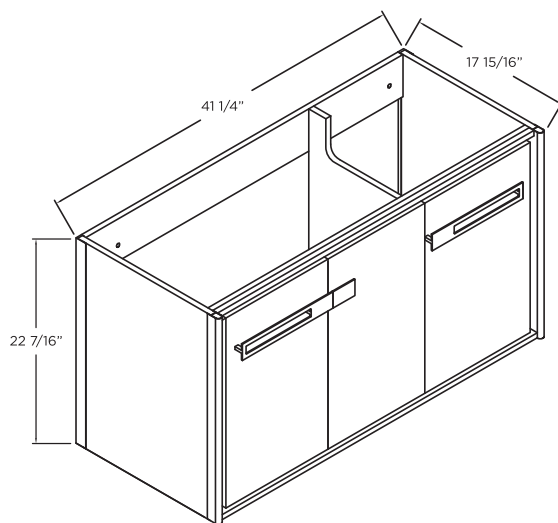
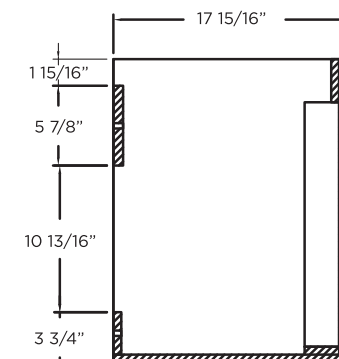
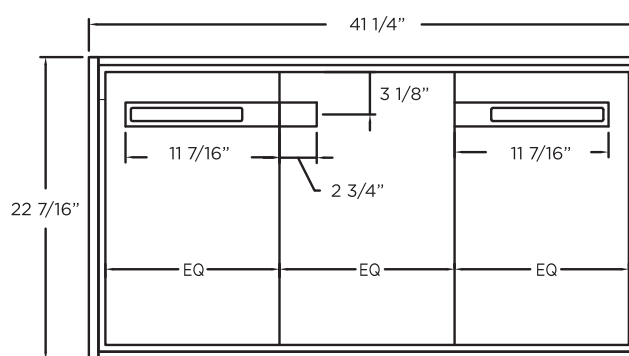
**SPECIFICATIONS / TECHNICAL DATA**

**VANITY COLLECTION**

**OAKVILLE**

**42"**

**WALL HUNG**



**ATTENTION!** Dimensions may vary by up to 3/8". It is highly recommended to pull all dimensions of actual model for installation and measuring purposes.

**MODEL# OK42**