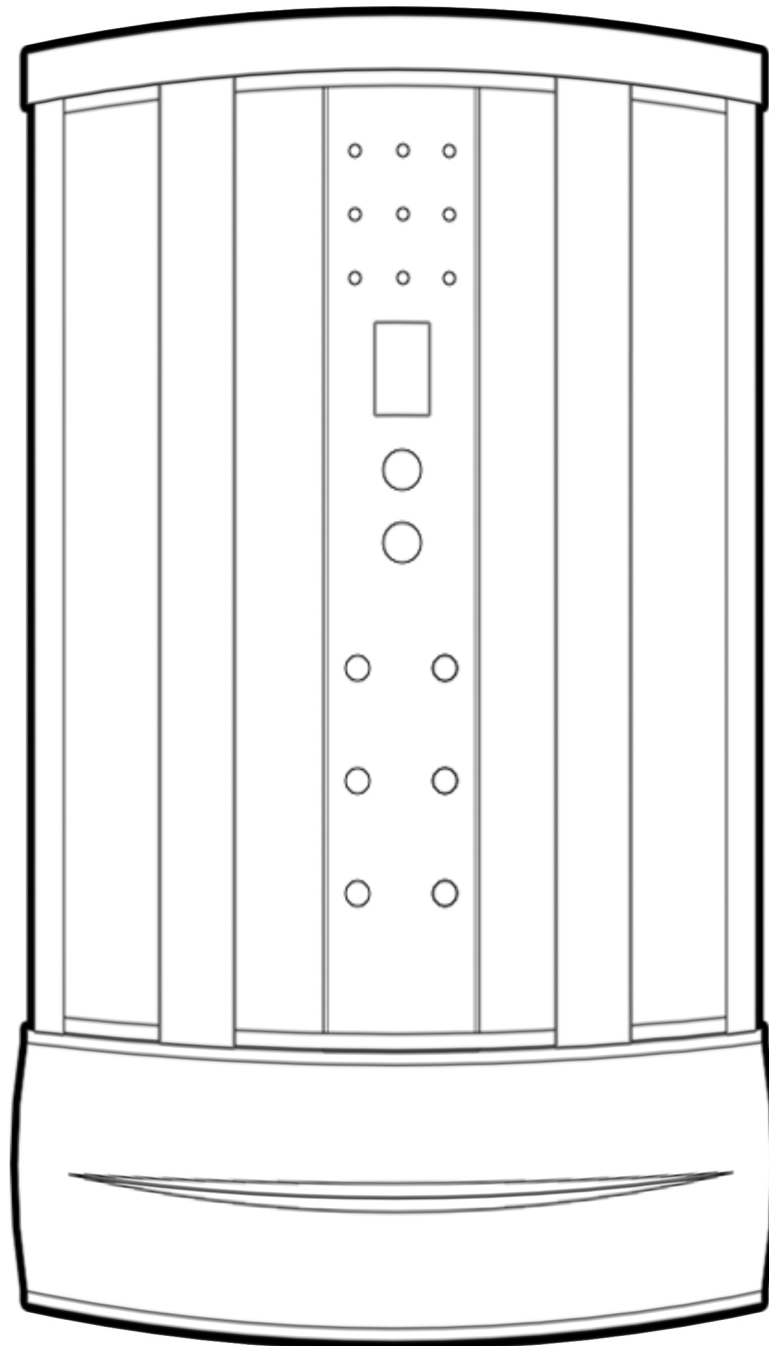


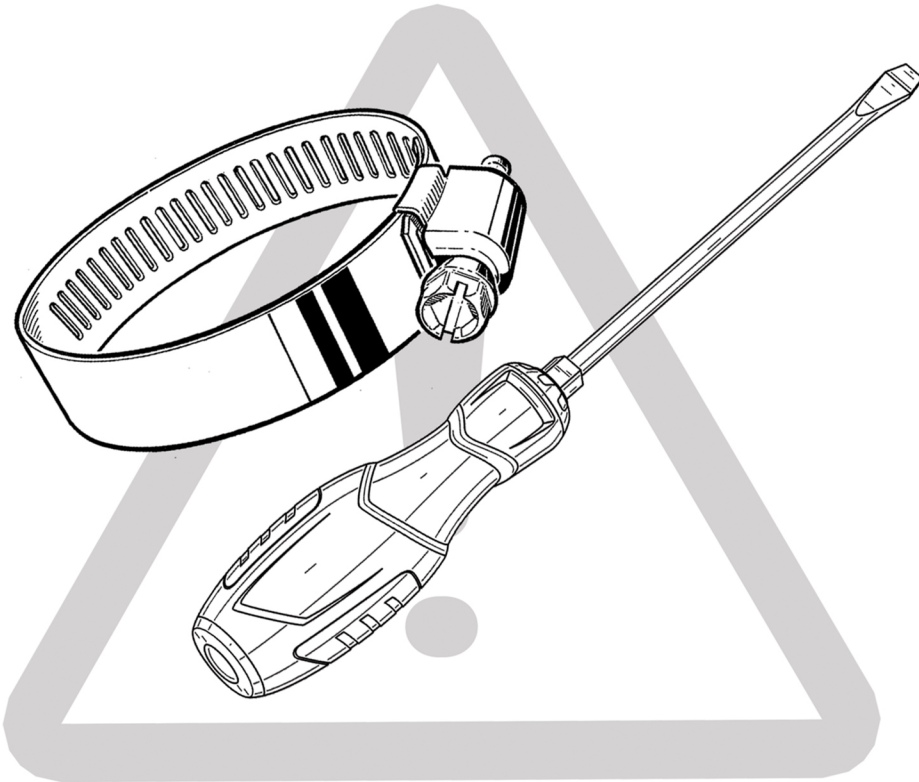
ASSEMBLY GUIDE

Y8004-AS shower enclosure



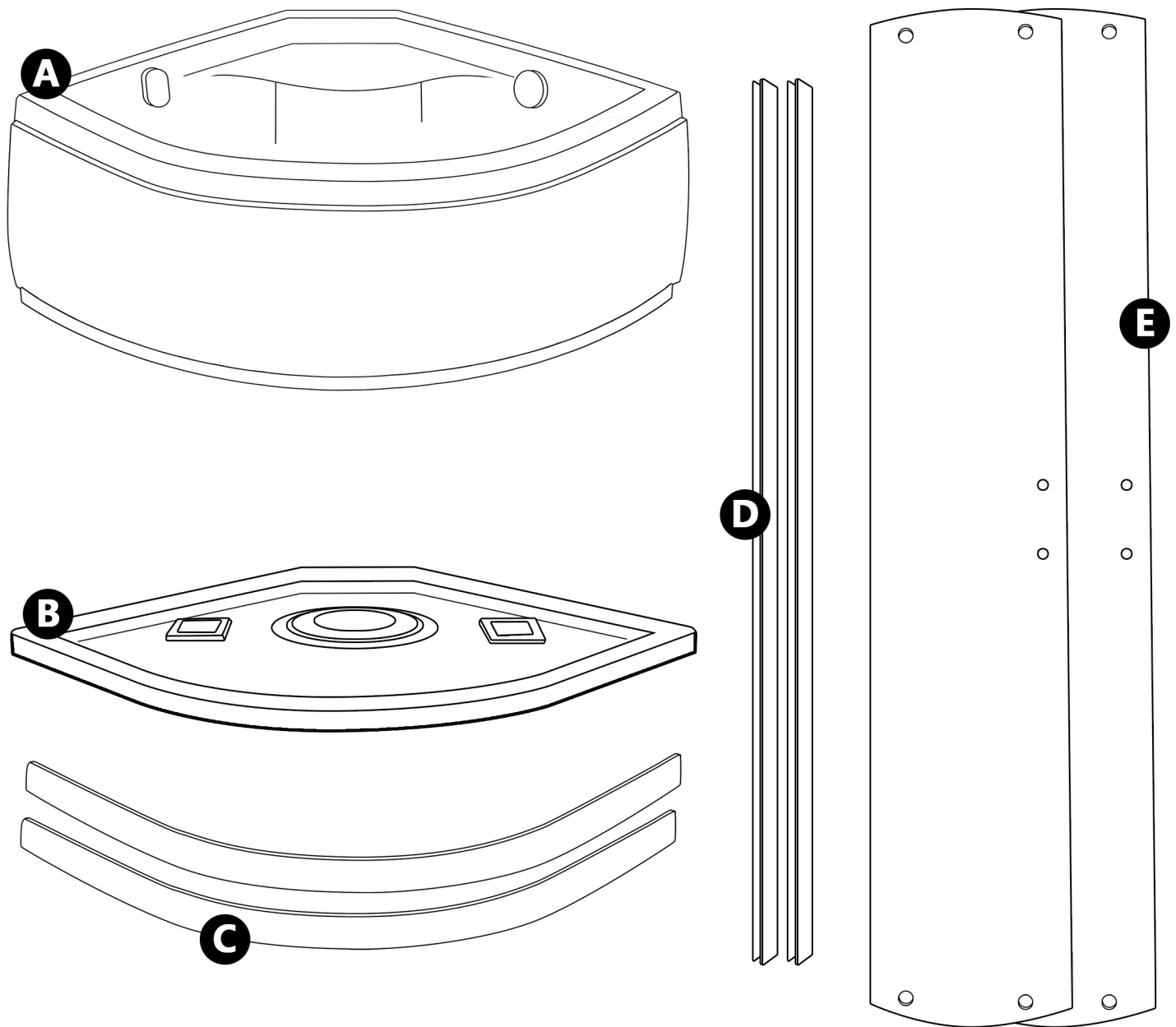
please visit us online or call (773) 383-4415 for any questions

WARNING



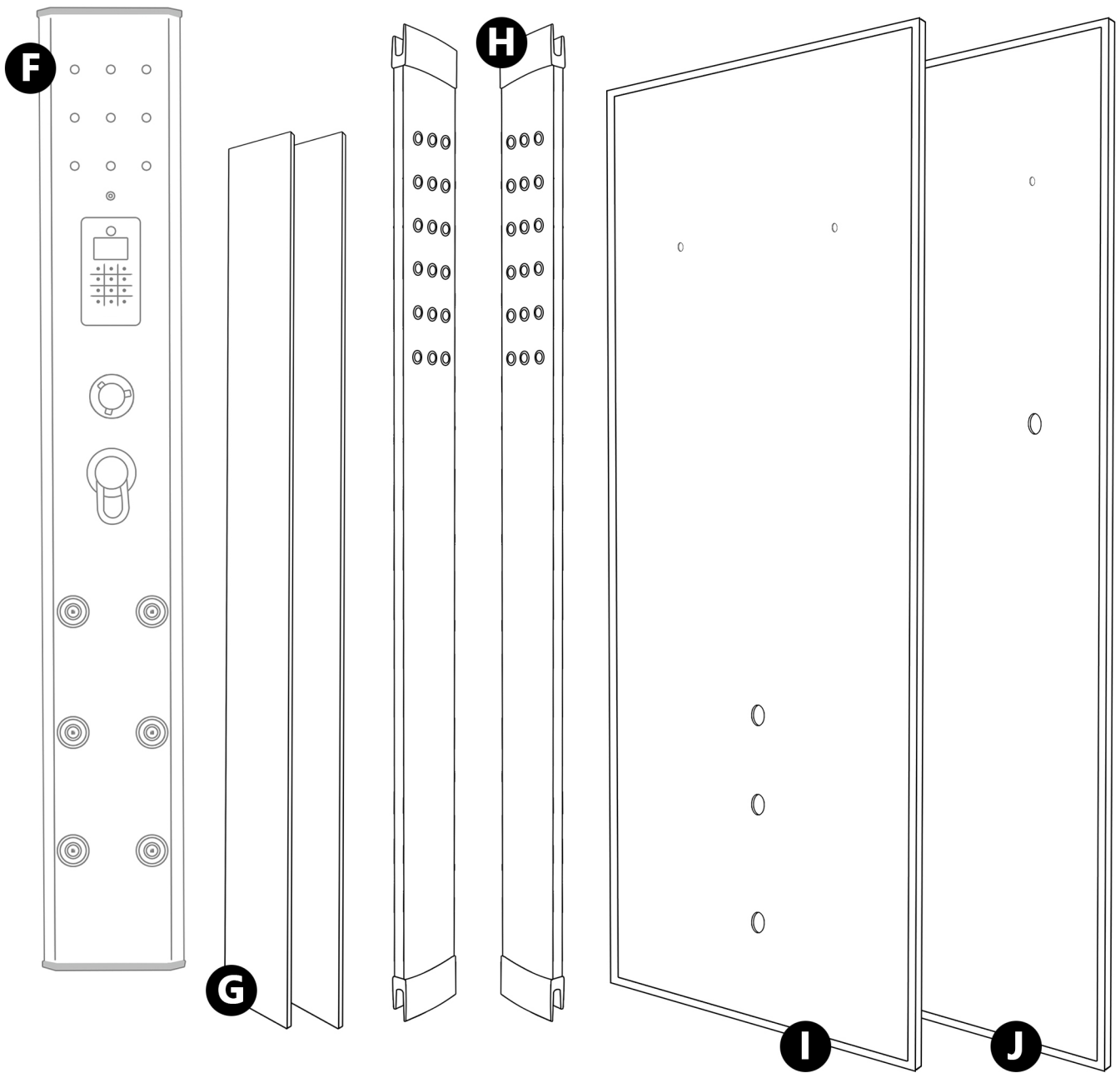
Please ensure all hose clamps are tightened before running any water through, failure to do so could result in water leaking. Make sure all connections and fittings are secure

Part List



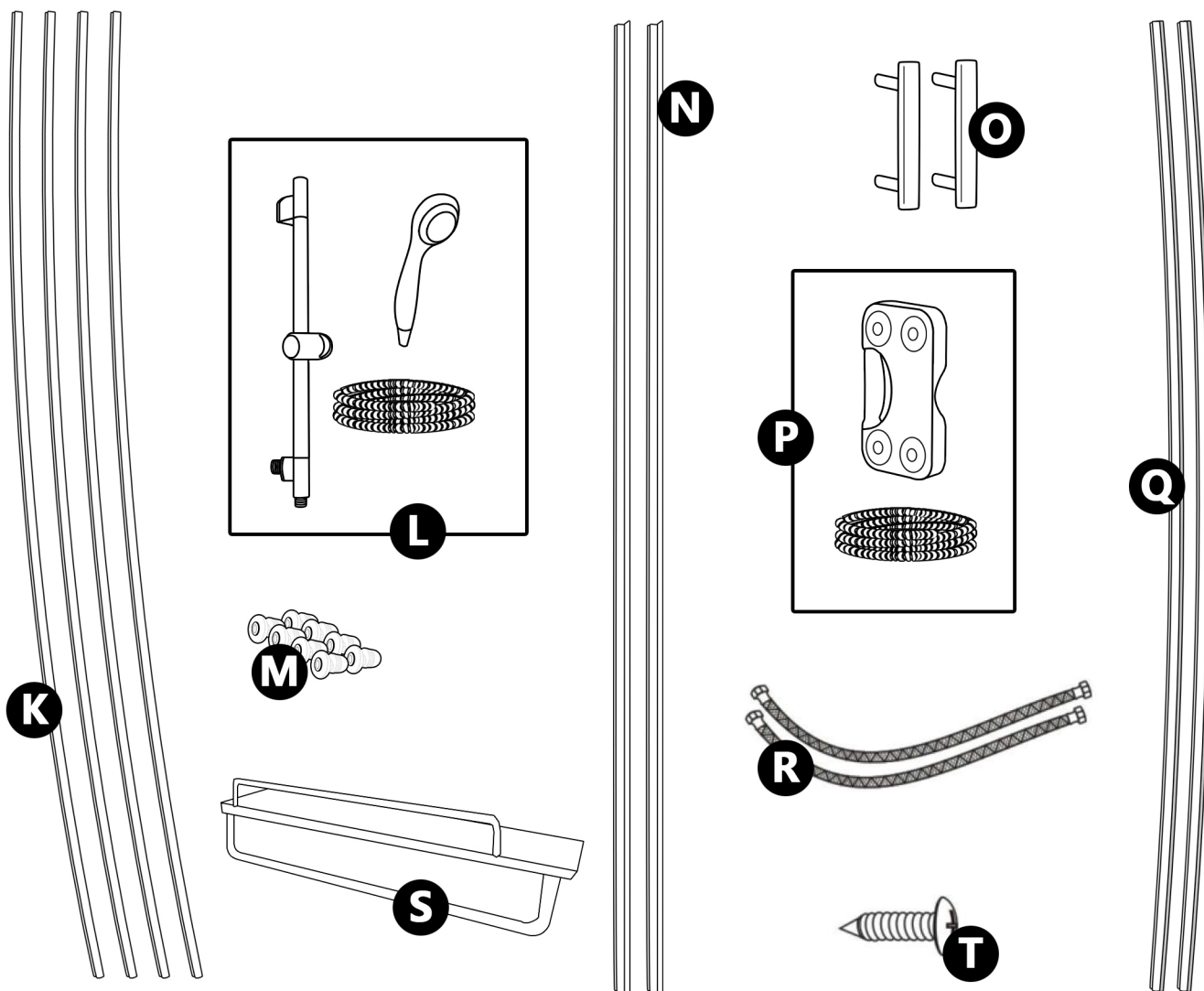
- A. Shower base
- B. rooftop (speakers, fan and shower head attached)
- C. Upper lower rails
- D. corner columns
- E. glass doors

Part List



- F. shower panel*
- G. side glass*
- H. front columns*
- I. right back glass panel*
- J. left back glass panel*

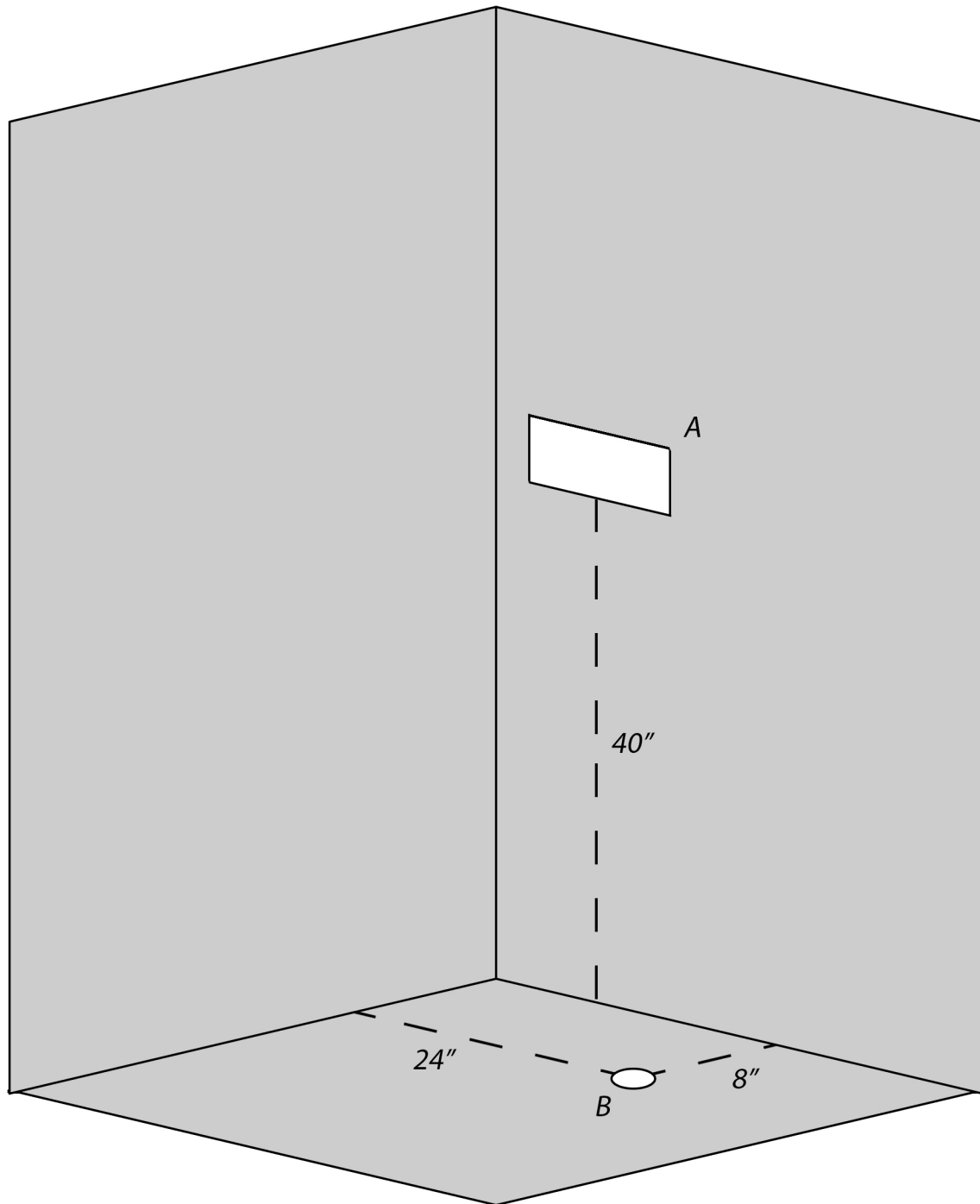
Part List



- K. glass panel gaskets x 4*
- L. hand shower kit (hand shower, bar and hose)*
- M. door rollers x 8*
- N. door seals x 2*
- O. door handles x 2*
- P. foot massager kit (foot massager and hose)*
- Q. magnetic door seals x 2*
- R. Hot and cold water hoses*
- S. Glass shelf*
- T. Self tapping screws*

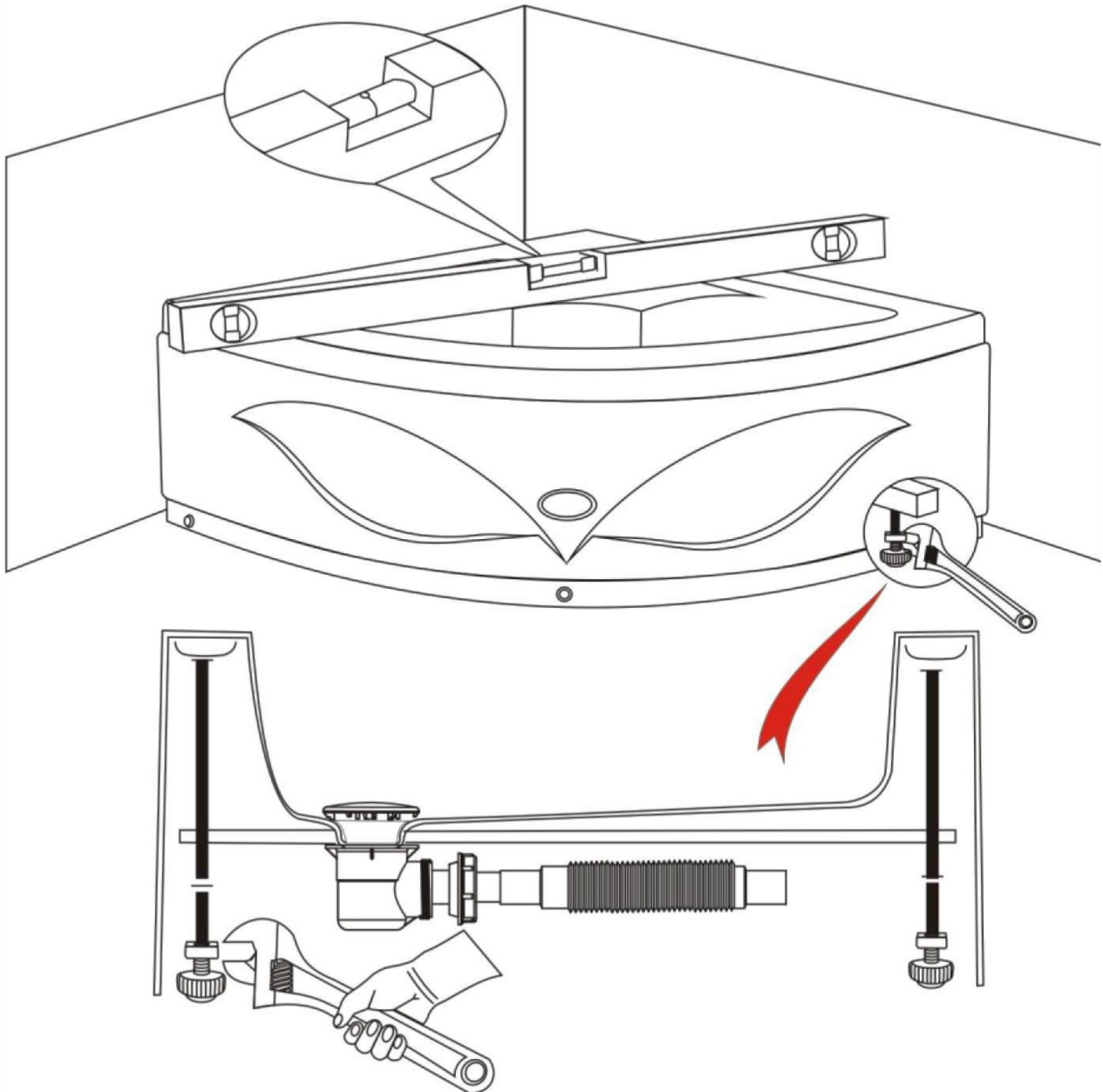
Bathroom preparation

Cold and hot water hookup (figure A) must be 40" from the ground. Shower drain (figure B) is 24" from the left wall and 8" from the right wall. Shower includes a flexible drain hose that can fit underneath shower base to hook up existing drain to shower drain.



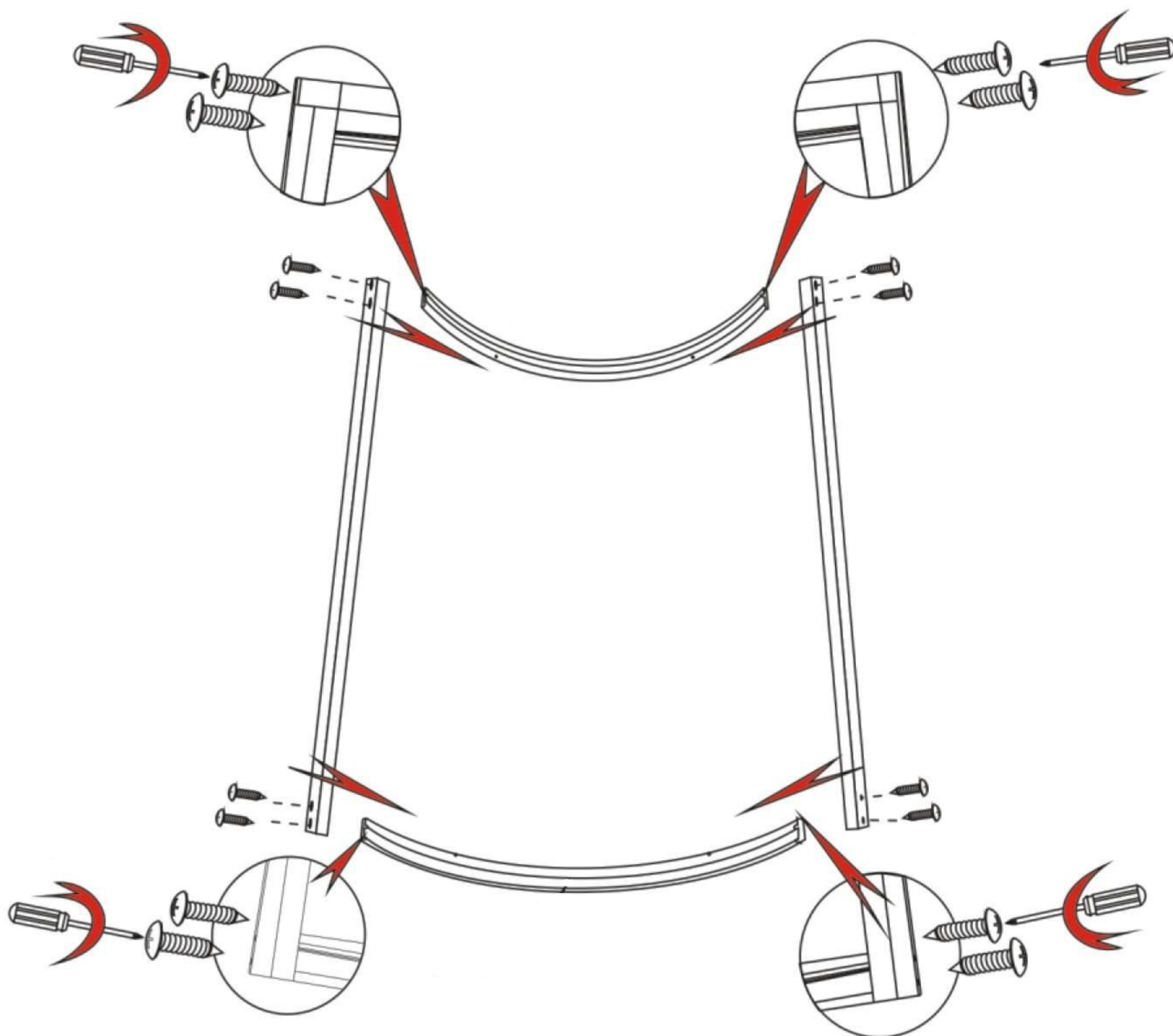
Shower assembly

Ensure that the shower base is level on the floor it will be installed at. Make sure to take multiple measurements at different points and make any adjustments needed at any one of the various base feet. Base feet can be adjusted by turning clockwise or counterclockwise with a wrench.



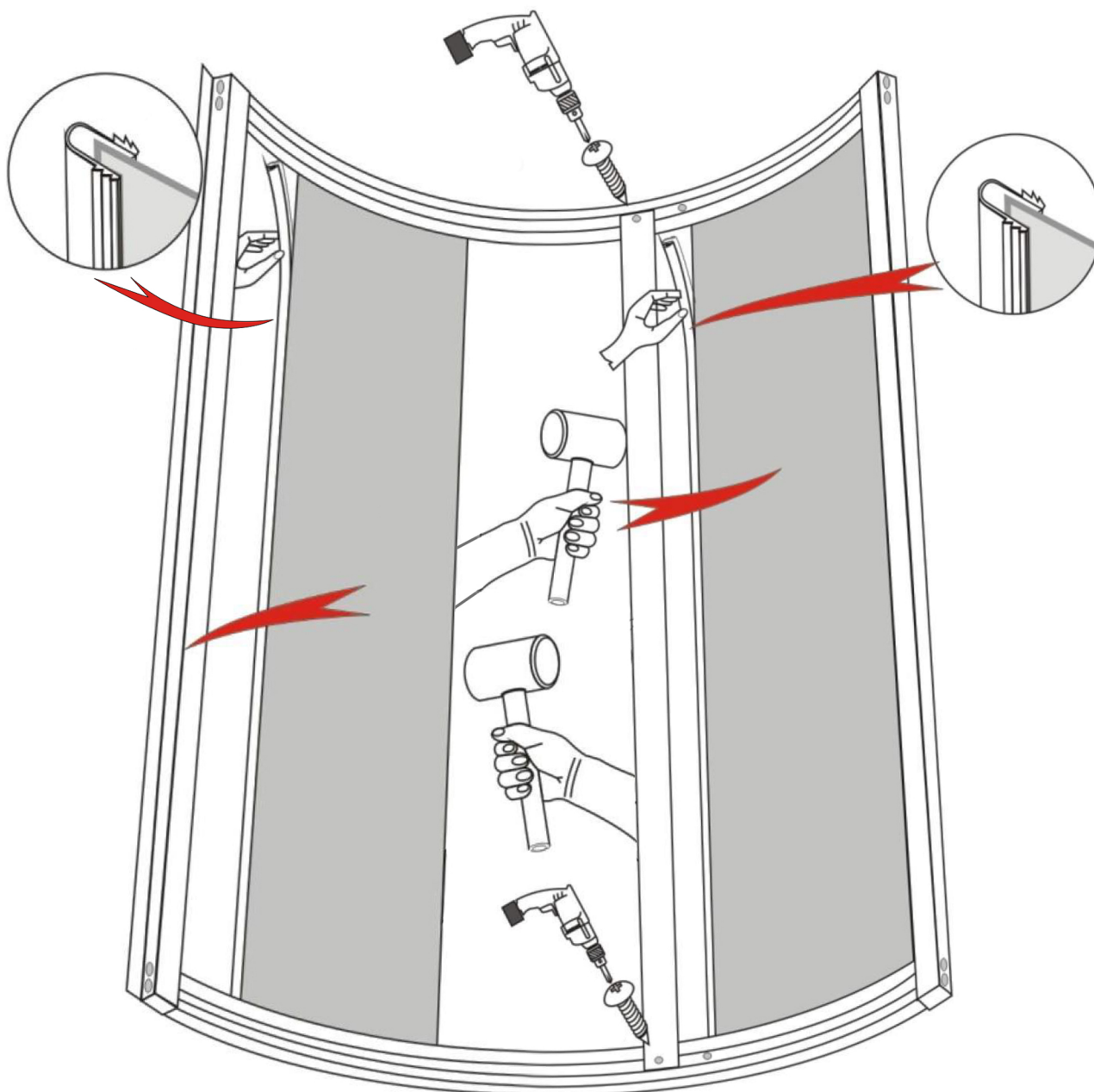
Shower assembly

Construct the front glass frame by attaching the corner columns to the upper and lower rails using two 4x16 mm screws for each connection.



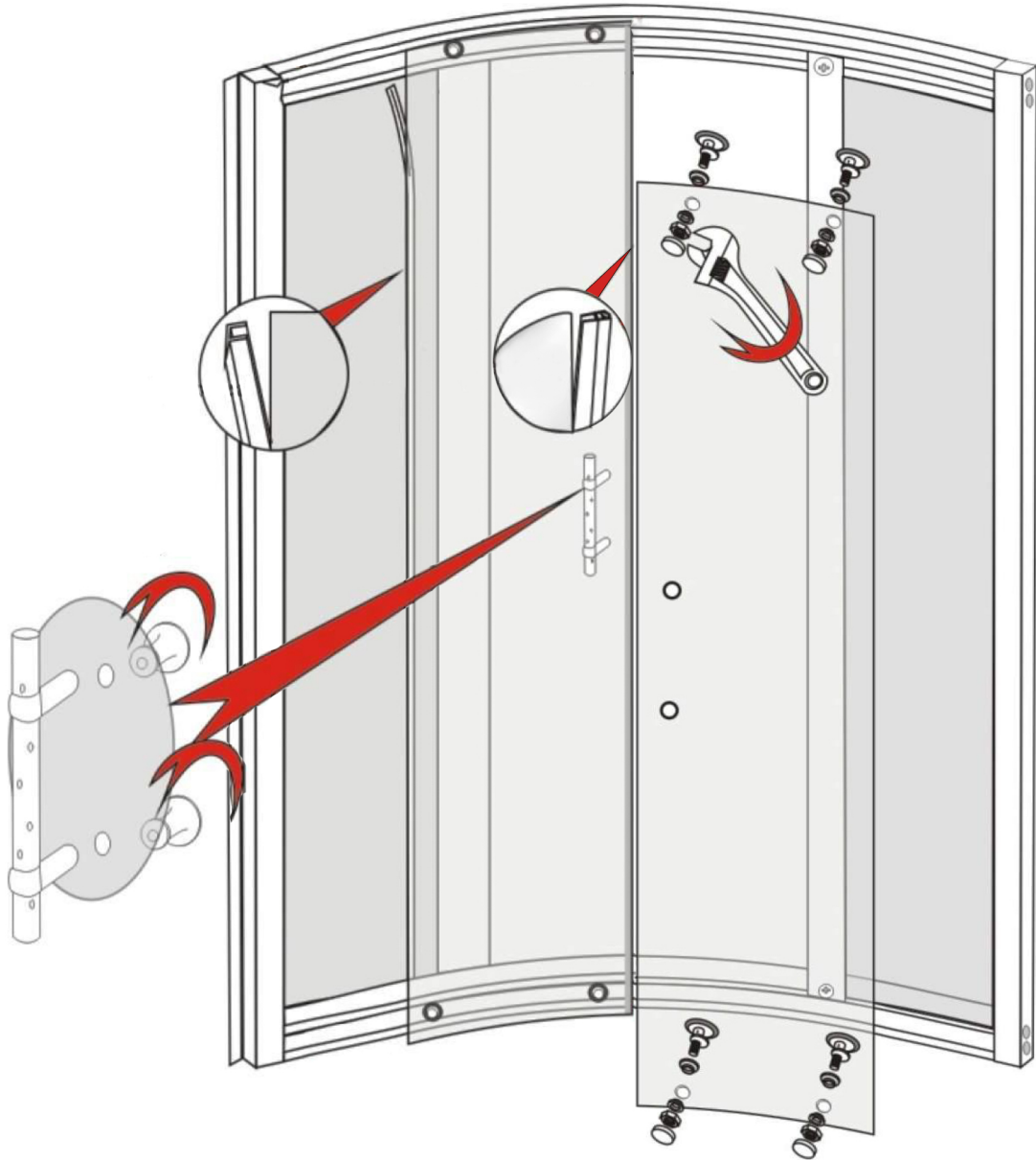
Shower assembly

Fit the rubber gaskets on each long side of each side glass. Use a rubber mallet to gently tap the gaskets onto the glass if needed. Repeat those steps for the opposite edges of the side glass. Place the front columns vertically in between the upper and lower rails secured by screws.



Shower assembly

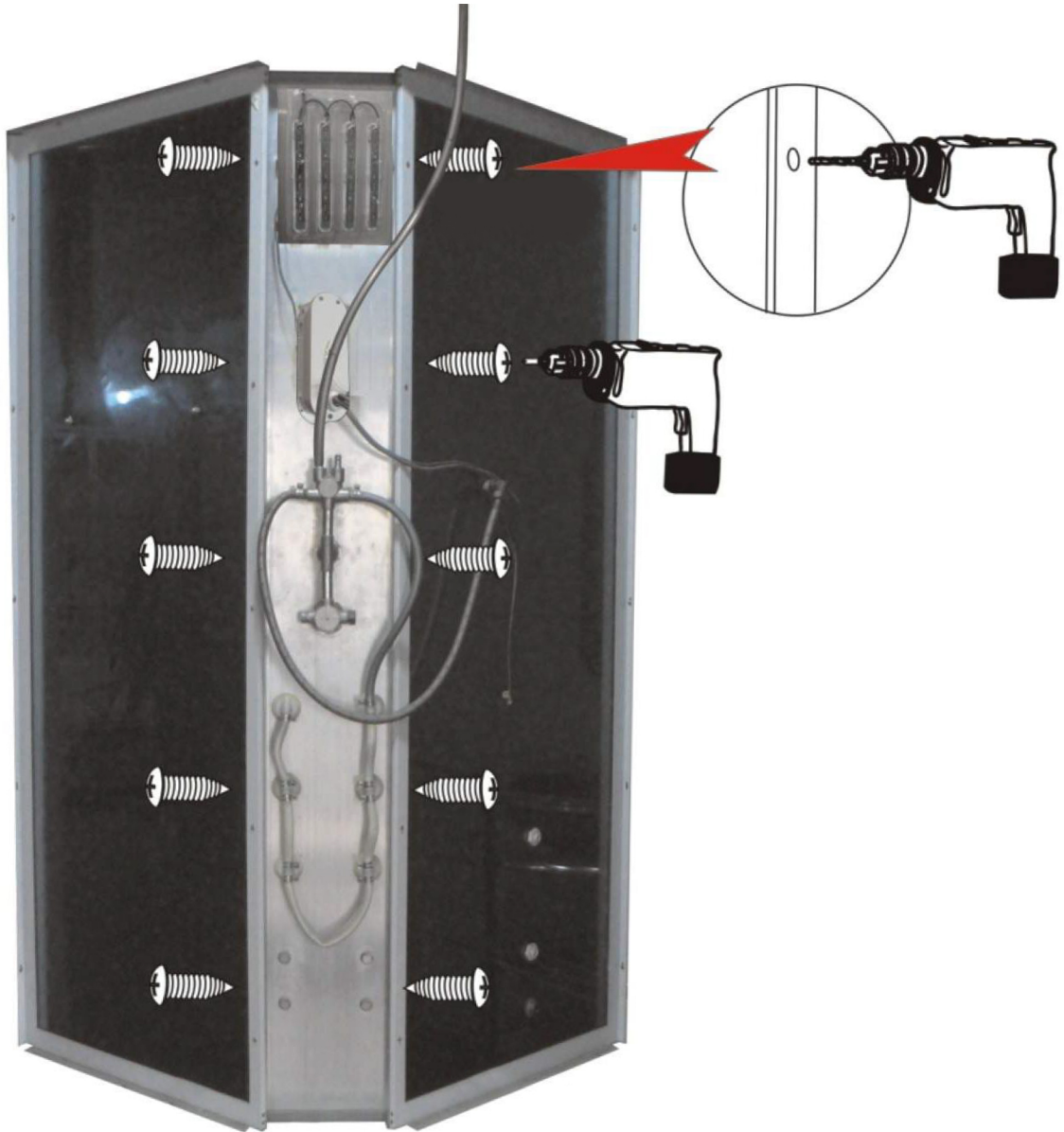
Install door handles to each door by placing the handle side on the outer part of the door and the screws on the inner part of the door. Door seals can be placed on the outer edge of the glass doors, slightly tap them in with a mallet. Magnetic door strips must be placed on the inner edge of the glass doors where the doors meet. A rubber mallet may be used to slightly tap them in as well.



Attach the door rollers through the two top and bottom holes found on the glass doors. Use a wrench to adjust the height of the wheels to ensure a smooth gliding motion when the door opens and closes.

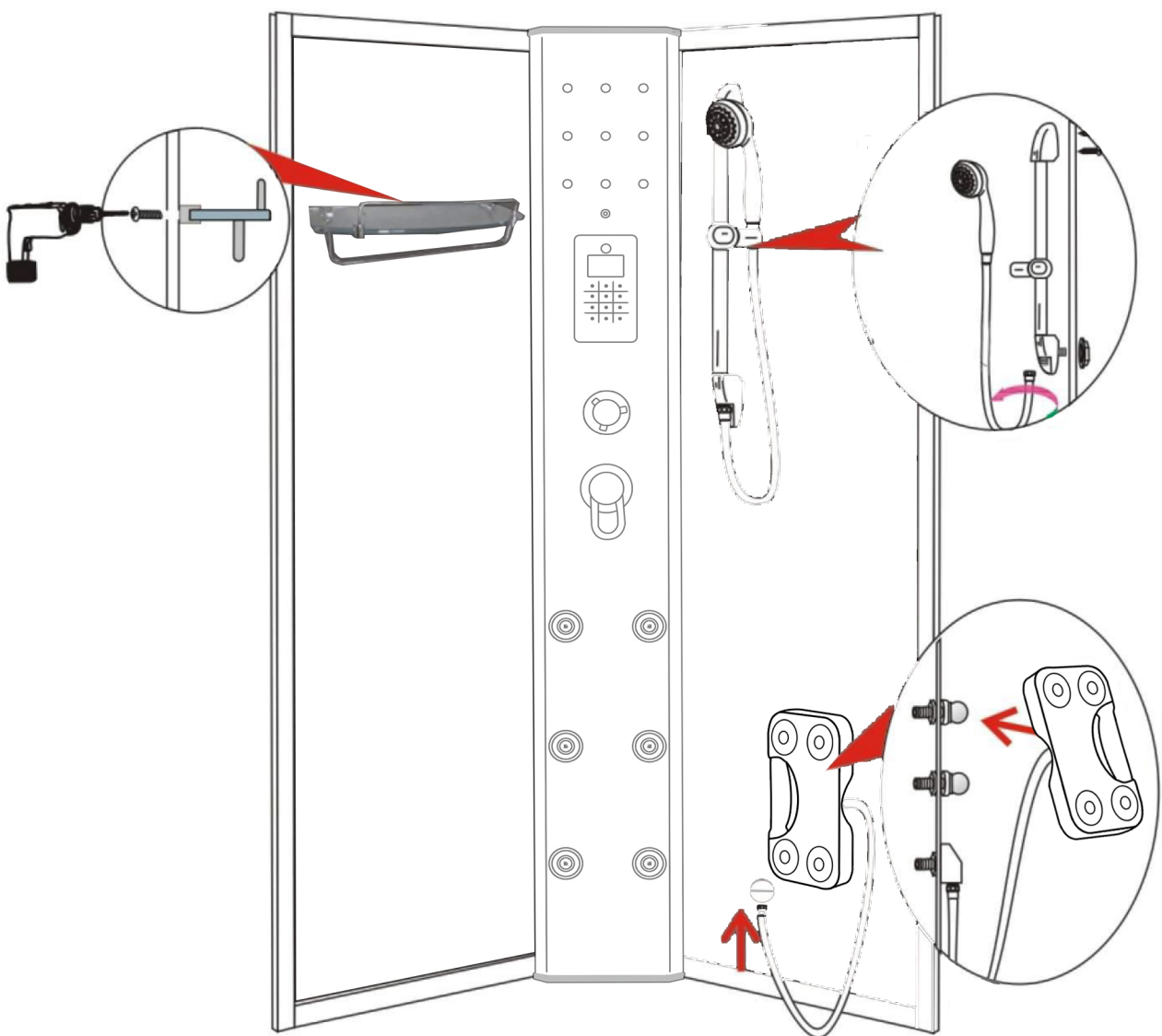
Shower assembly

Connect left and right side back glass panel to shower panel and secure using five screws on each side.



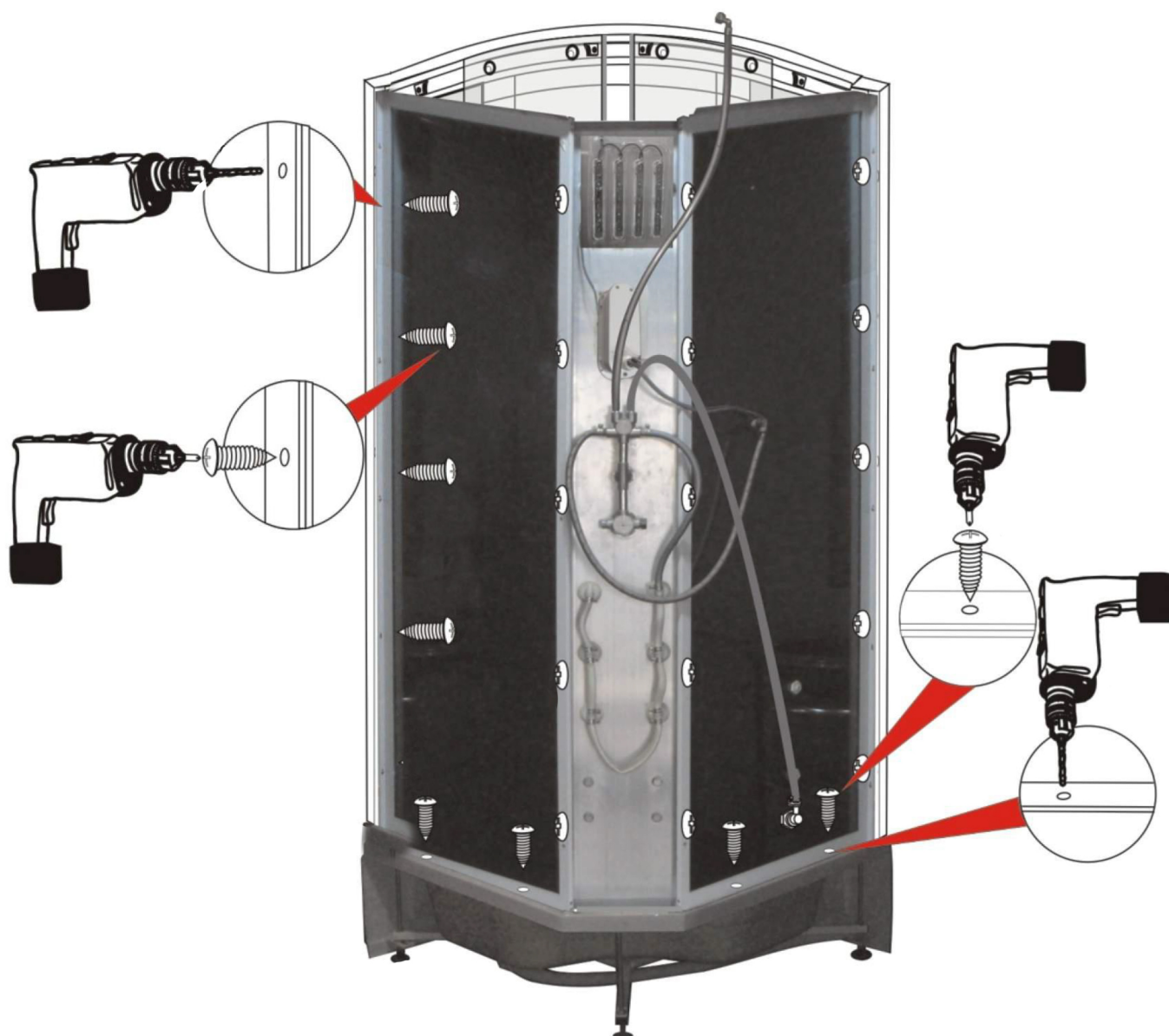
Shower assembly

Attach glass shelf onto left side back glass panel by screwing the shelf to the glass on the back side with two screws. The hand shower bar can be attached to the right side back glass panel by screwing the top portion to the glass panel with a screw and securing the bottom portion with a plastic nut. The pegs for the foot massager can be secured to the right side back glass panel using one plastic nut for each peg. Secure the water connection for the foot massager in the same way.



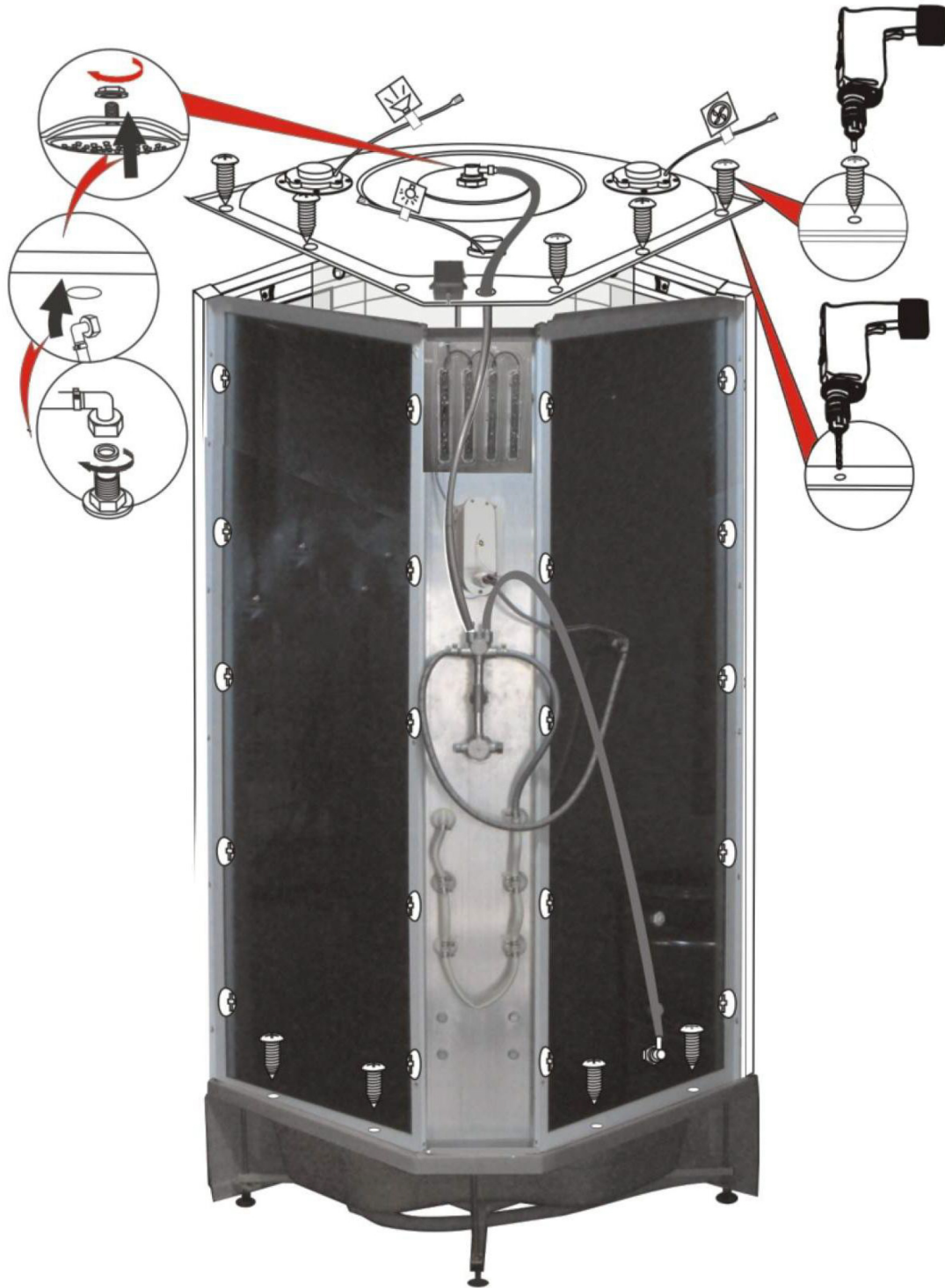
Shower assembly

Connect the back glass panels to the corner columns/rail assembly constructed on page 8 using self tapping screws (5 on each side). Secure the back glass panels to the base of the shower with self tapping screws as well, 2 on each side.



Shower assembly

Place the shower rooftop onto the back glass panels and upper rail, securing using 3 self tapping screws into each panel. At this time connect all electrical connections by matching the labels with their appropriate spot. Also take the time to securely connect water accessories such as the hand shower, foot massager and shower head.



Shower assembly

Hook up the shower's cold and hot water hoses to the home's cold and hot water hookups. Connect the shower to power ensuring that the correct electrical requirements of 30 amp GFCI breaker, 110 volts, 10 guage wire are met.

