







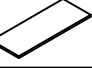

Important safety instructions:

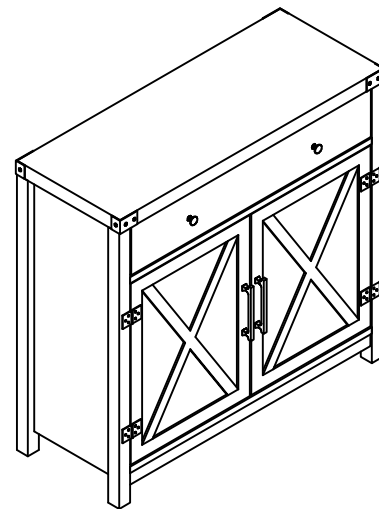
- Please read carefully all instructions before assembly.
- For your safety and ease, assembly by two or more adults is recommended.
- Keep instructions for future use. For your safety and ease, assembly by two or more adults is recommended.

Pre-assembly:









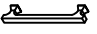


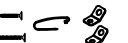
- Do not discard any content until assembly is complete to avoid accidentally discarding small parts or hardware.
- Take out all parts and hardware from box.

Parts List

Item	Description	QTY
P1	Chest Top with Drawer 	1
P2	Left Side Panel 	1
P3	Right Side Panel 	1
P4	Bottom Panel 	1
P5	Left Door 	1
P6	Right Door 	1
P7	Shelf 	1
P8	Back Panel 	1



Hardware List

Item	Description	QTY
H1	Big Bolts Ø5/16" * 1-1/4" L 	12
H2	Lock Washers Ø5/16" 	12
H3	Flat Washers Ø5/16" 	12
H4	Allen Wrench Ø5/16 	1
H5	Wooden Dowels Ø8*30mm 	8
H6	Long Screws #7*3/4" L 	20
H7	Short Screws #7*5/8" L 	12
H8	Small Bolts Ø5/32*1" 	6
H9	Handles 6.1" L * 1" W * 3/4" H 	2
H10	Knobs Ø1" * 3/4" L 	2
H11	Shelf Pins 	4
H12	Anti Tip Kit 	1 SET

DISCLAIMER:

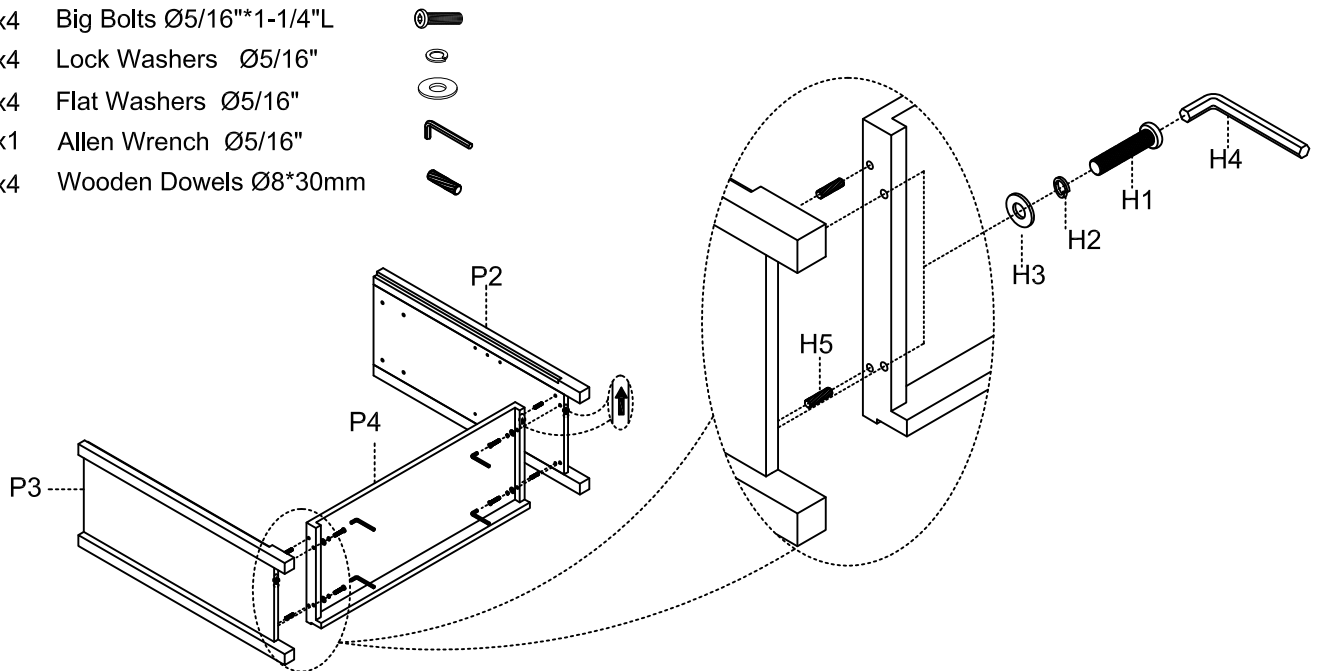
WHEN PROPERLY ASSEMBLED, THIS ITEM IS SAFE FOR INTENDED USE. SELLER IS NOT LIABLE FOR ANY DAMAGES RESULTING FROM ITEM BEING IMPROPERLY ASSEMBLED AFTER PURCHASE.

Note: It will take around 30 minutes to assemble the chest by two adults.

Assembly Procedures:

Step 1. Assemble the chest on a flat, soft surface such as a carpet or cloth to prevent scratching the finish. Attach the left side panel (P2) and right side panel (P3) to the bottom panel (P4) as shown below.

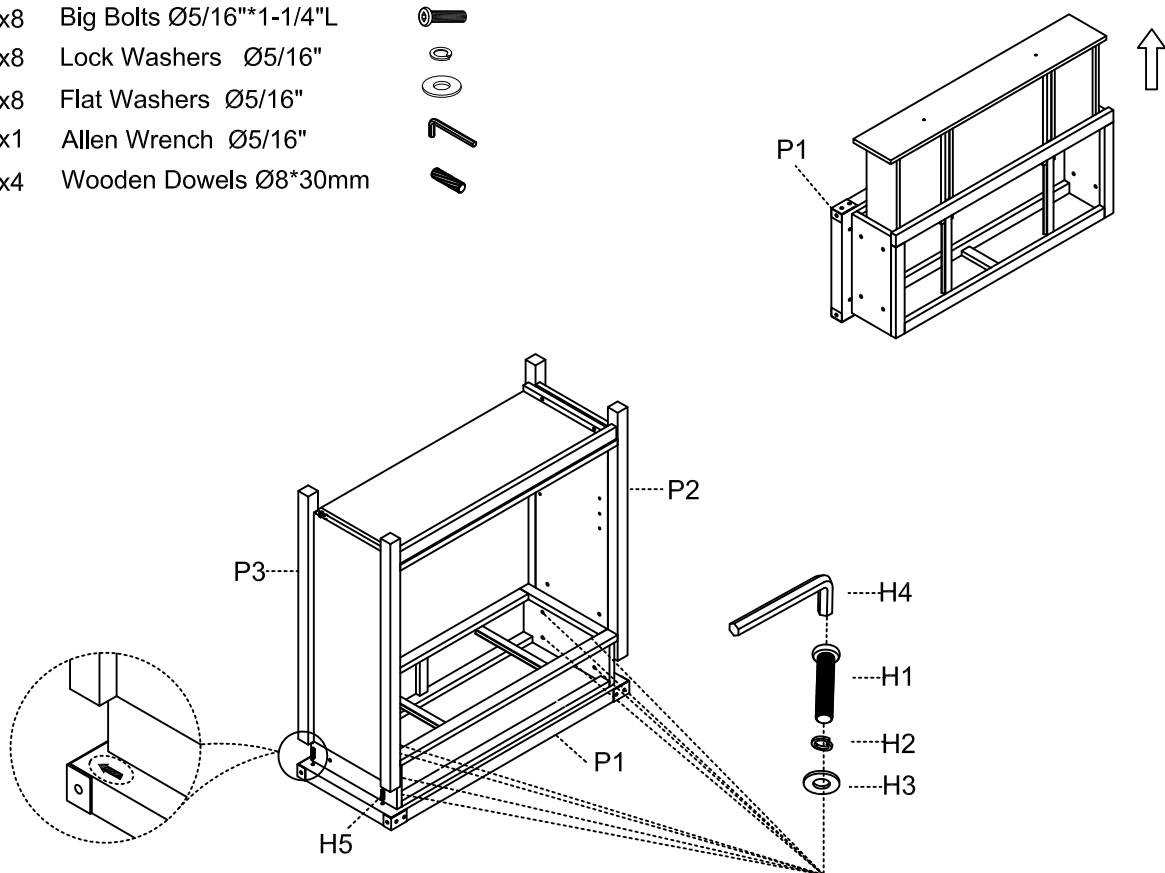
- (H1)x4 Big Bolts $\text{Ø}5/16'' \times 1-1/4'' \text{L}$
- (H2)x4 Lock Washers $\text{Ø}5/16''$
- (H3)x4 Flat Washers $\text{Ø}5/16''$
- (H4)x1 Allen Wrench $\text{Ø}5/16''$
- (H5)x4 Wooden Dowels $\text{Ø}8 \times 30 \text{mm}$



Step 2.

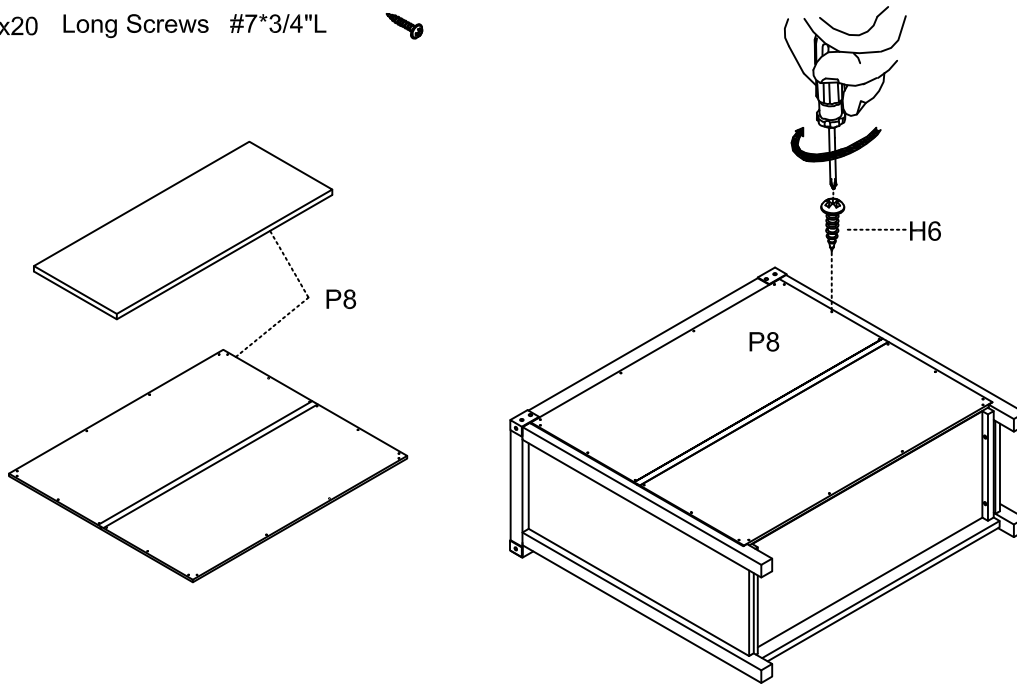
- a) Pull out the drawer (hold both sides of the drawer front panel and then pull out).
- b) Attach the assembled side frames (P2,P3) to the chest top with drawer (P1) as shown below.

- (H1)x8 Big Bolts $\text{Ø}5/16'' \times 1-1/4'' \text{L}$
- (H2)x8 Lock Washers $\text{Ø}5/16''$
- (H3)x8 Flat Washers $\text{Ø}5/16''$
- (H4)x1 Allen Wrench $\text{Ø}5/16''$
- (H5)x4 Wooden Dowels $\text{Ø}8 \times 30 \text{mm}$



Step 3. Open the back panel, then attach back panel (P8) to the assembled frame as shown below.

(H6)x20 Long Screws #7*3/4"L

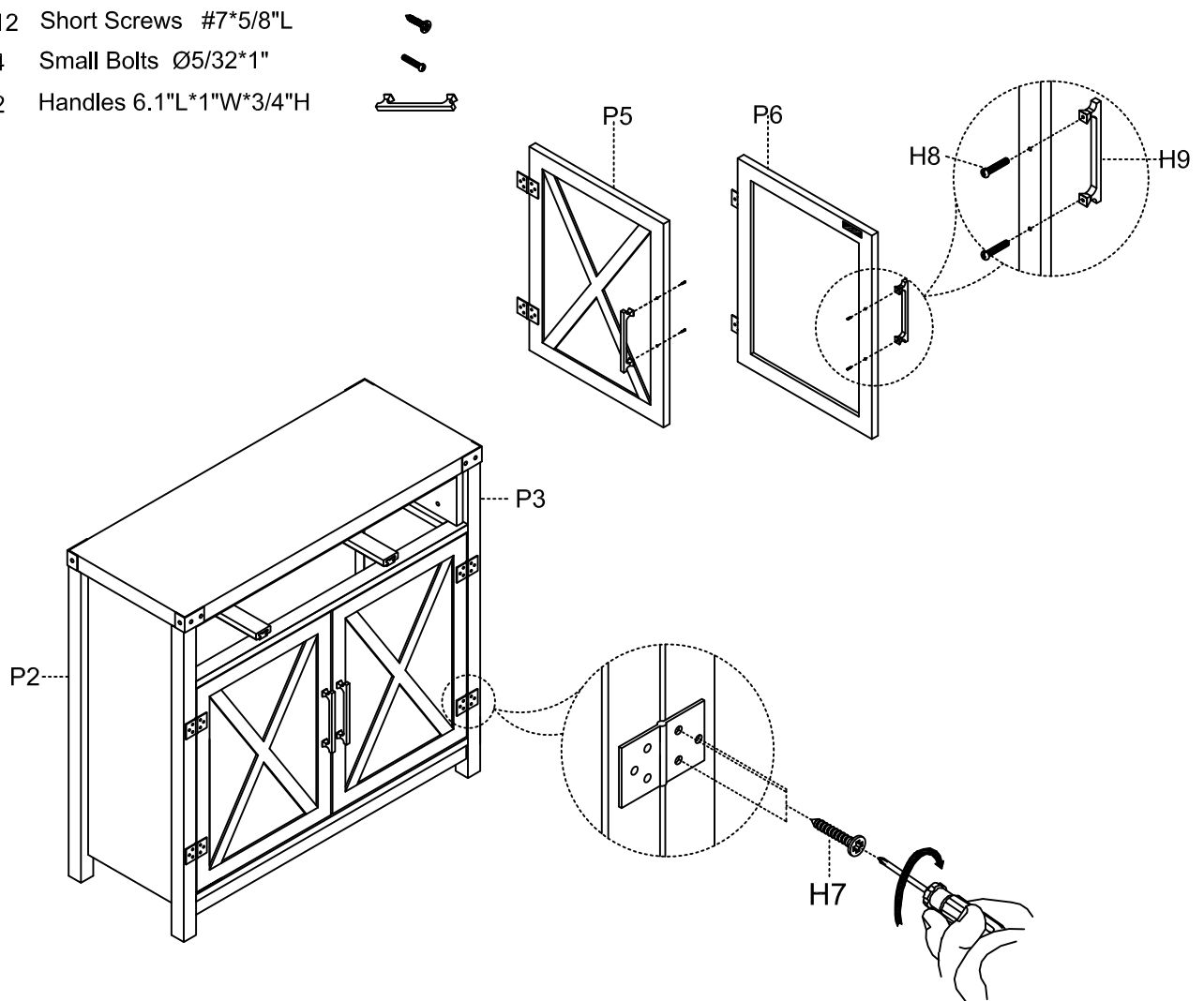


Step 4. Attach the handle (H9) to the doors, then attach the left door (P5) and right door (P6) to assembled side panels (P2 & P3) as shown below.



(H7)x12 Short Screws #7*5/8"L

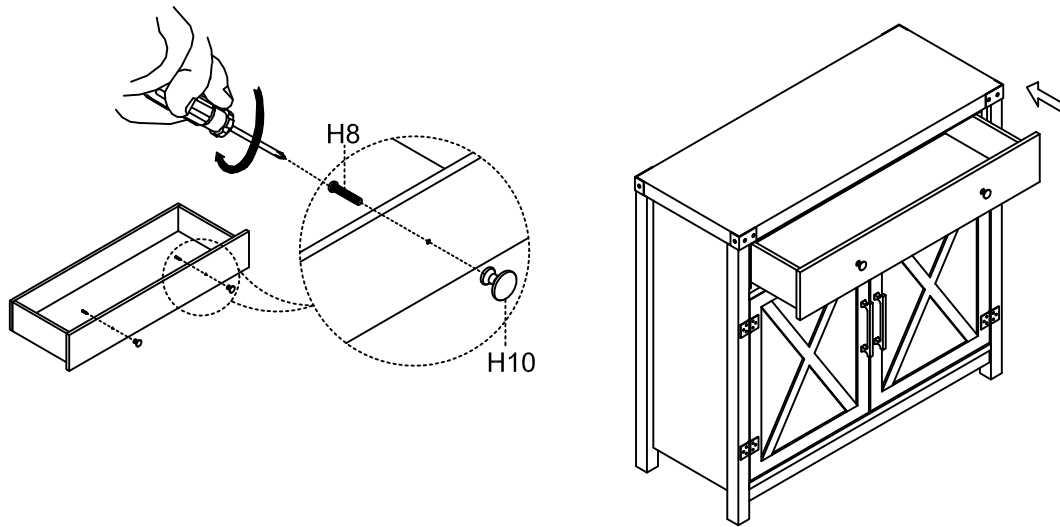
(H8)x4 Small Bolts Ø5/32*1"

(H9)x2 Handles 6.1"L*1"W*3/4"H





Step 5. Attach the knob (H10) to the drawer front, then reattach drawer to assembled chest as shown below.

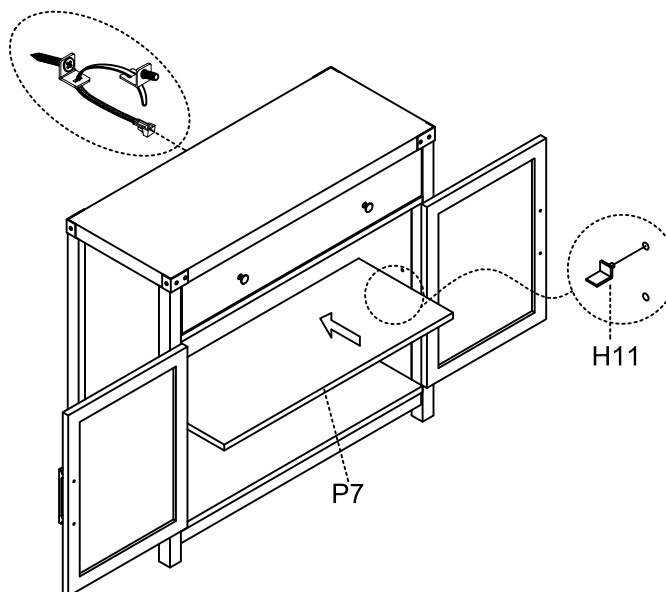
(H8)x2 Small Bolts $\varnothing 5/32 \times 1"$ 
(H10)x2 Knobs $\varnothing 1 \times 3/4"$ 



Step 6.

- a) Open the doors, then place the shelf (P7) to the shelf pins (H11).
- b) Assembly is complete. **Failure to follow these instructions may cause the bolts to misalign during assembly.**
- c) **Recommend that you attach the products to your wall as a safety precaution.** Please see the other instructions "Furniture Safety Bracket Tip Resistant".

(H11)x4 Shelf Pins 
(H12)x1set Anti Tip Kit 



ADDITIONAL NOTE ABOUT SAFETY:
BOLTS MAY LOOSEN DURING NORMAL EVERYDAY USE.
THEY SHOULD BE INSPECTED AT LEAST EVERY 3 MONTHS AND RE-TIGHTENED AS NEEDED TO PREVENT DAMAGE OR INJURY, AND ENSURE STABILITY.

Thank you for your purchase

Furniture Safety Bracket Tip Resistant

- Designed to help prevent furniture tipover.
- Detachable strap allows for easy moving of furniture for cleaning.
- Also helps prevent furniture from tipping during minor tremors.

Installation:

Short Screw (1pc)



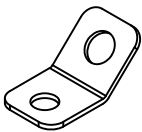
Long Screw (1pc)



Strap (1pc)



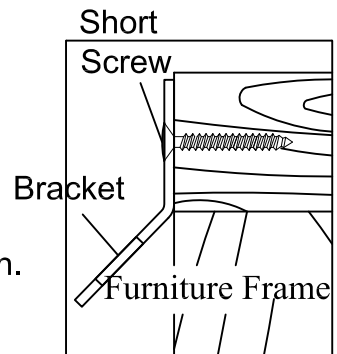
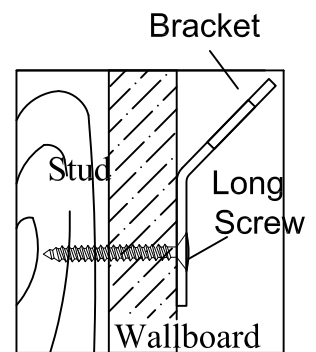
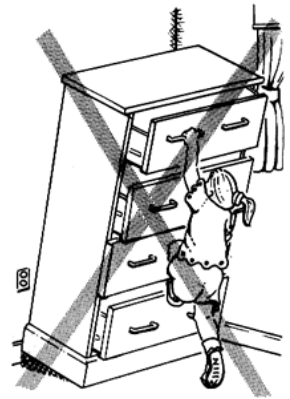
Bracket (2pcs)



1. Locate a wall stud behind your furniture. Position a bracket on the stud approximately 1" below the top frame of the furniture. Mark and drill pilot hole into the center of the stud with a 3/32" drill bit. Attach a bracket to the stud with the long screws provided.

2. On the back of the furniture, a bracket will need to be attached to the furniture frame at the top. To do this, temporarily move the furniture into its final position and mark the location of the wall bracket on the furniture frame. Move the furniture away from the wall and place a bracket on the mark. Mark and drill holes for screws with a 3/32" drill bit. Attach the bracket to the furniture with the short screws provided.

3. Move the furniture into its final position, taking care to line up the wall bracket with the furniture bracket. Thread a strap through the bracket as shown in the illustration. Tighten strap until snug. Do not overtighten.



Important:

Check to be sure the wall bracket is firmly screwed into wall stud, the furniture bracket is firmly attached to the frame, and the strap is snug.

Caution:

This product is not to be a substitute for proper parental supervision. Manufacturer assumes no liability for improper installation or excessive loads placed on screws brackets or straps.

Warning:

Children have died from furniture tipover. To reduce the risk of furniture tipover:

- ALWAYS install tipover restraint provided.
- NEVER put a TV on this product.
- NEVER allow children to stand, climb or hang on drawers, doors, or shelves.
- NEVER open more than one drawer at a time.
- Place heaviest items in the lowest drawers.

This is a permanent label.

Do not remove!

