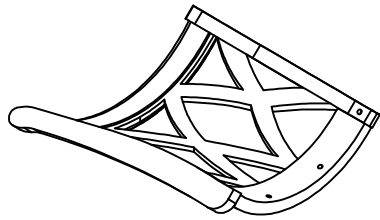


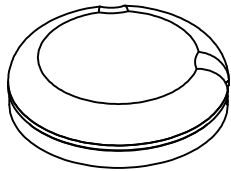
ASSEMBLY INSTRUCTIONS

WILBRAHAM 24" SWIVEL BARSTOOL

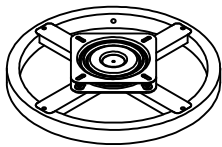
1. BASE FRAME
1 piece



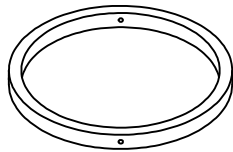
2. SEAT FRAME
1 piece



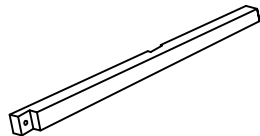
3. UPPER FRAME
1 piece



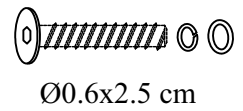
4. BOTTOM FRAME
1 piece



5. LEGS
4 pieces

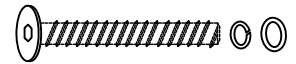


6. BOLT
4 sets



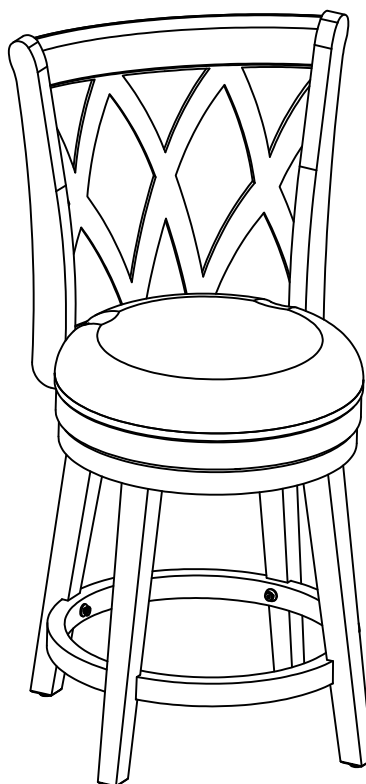
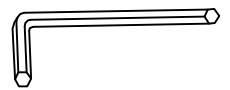
Ø0.6x2.5 cm

7. BOLT
12 sets



Ø0.6x4.5 cm

8. ALLEN KEY
1 piece

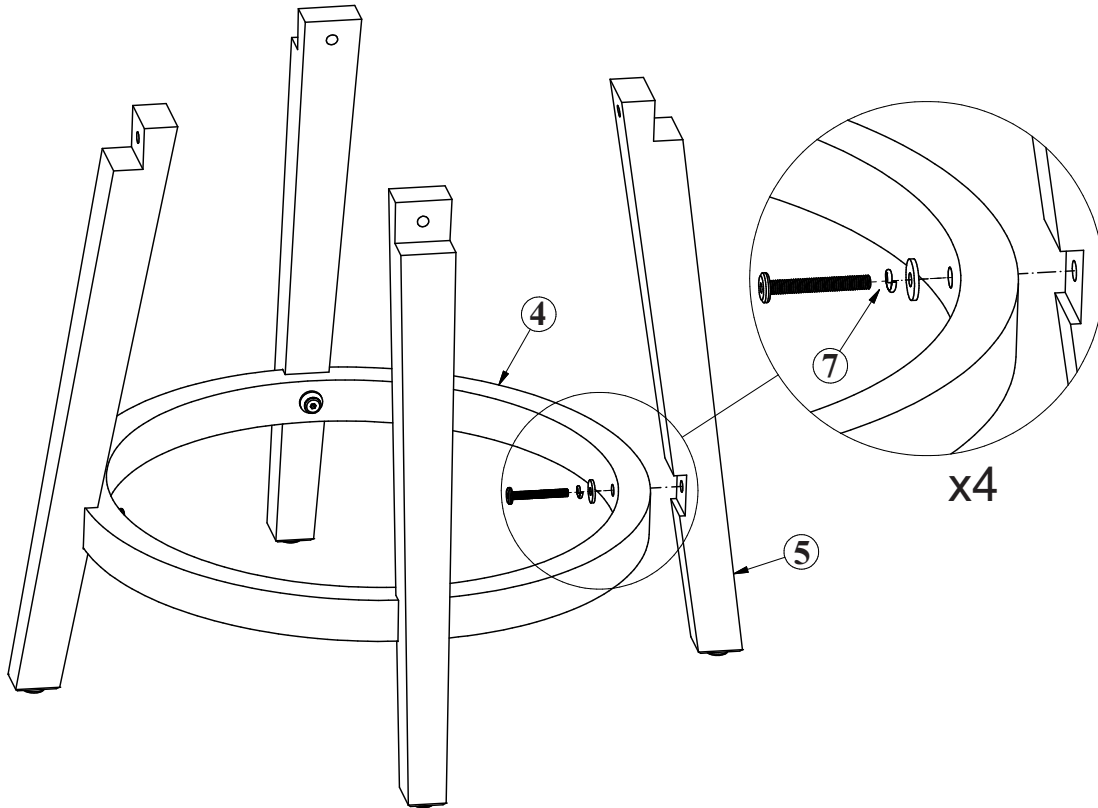


ASSEMBLY INSTRUCTIONS

WILBRAHAM 24" SWIVEL BARSTOOL

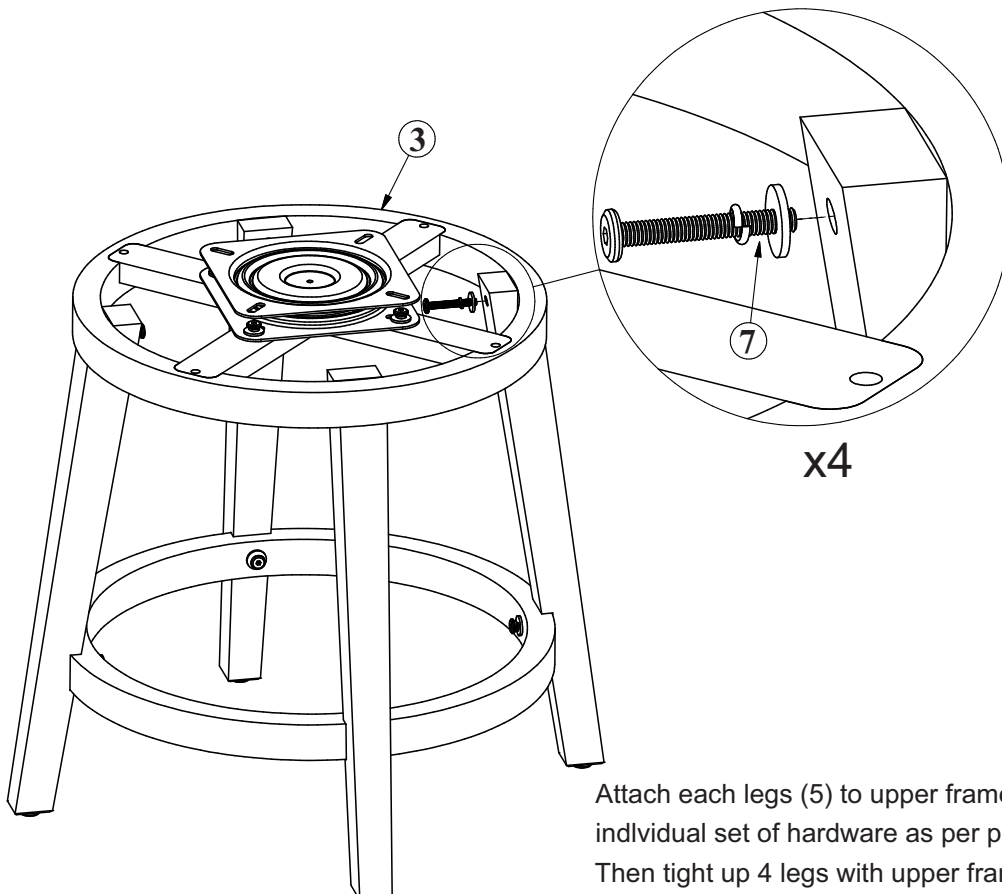
Follow this instruction carefully. Refer hardware and furniture parts list for guidance.
Be sure all parts are complete before assembling. Place all wooden furniture parts
on a clean and flat soft surface to prevent scratches. Refer steps provided as assembling guide.

STEP 1



Attach each leg (5) to bottom frame (4). Insert each individual set of hardware as per picture show.
Do not tight up any hardware completely.

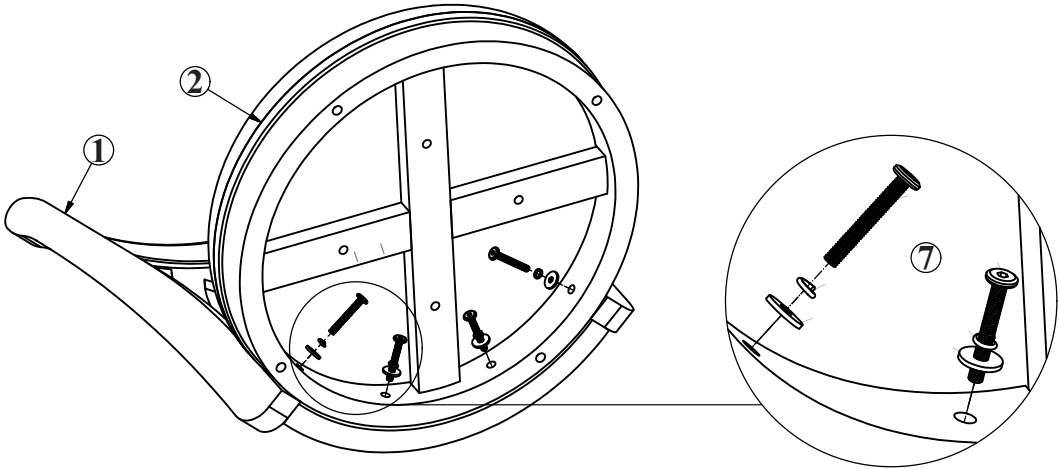
STEP 2



Attach each legs (5) to upper frame (4). Insert each individual set of hardware as per picture show.
Then tight up 4 legs with upper frame first,
then tight up bottom frame with 4 legs completely

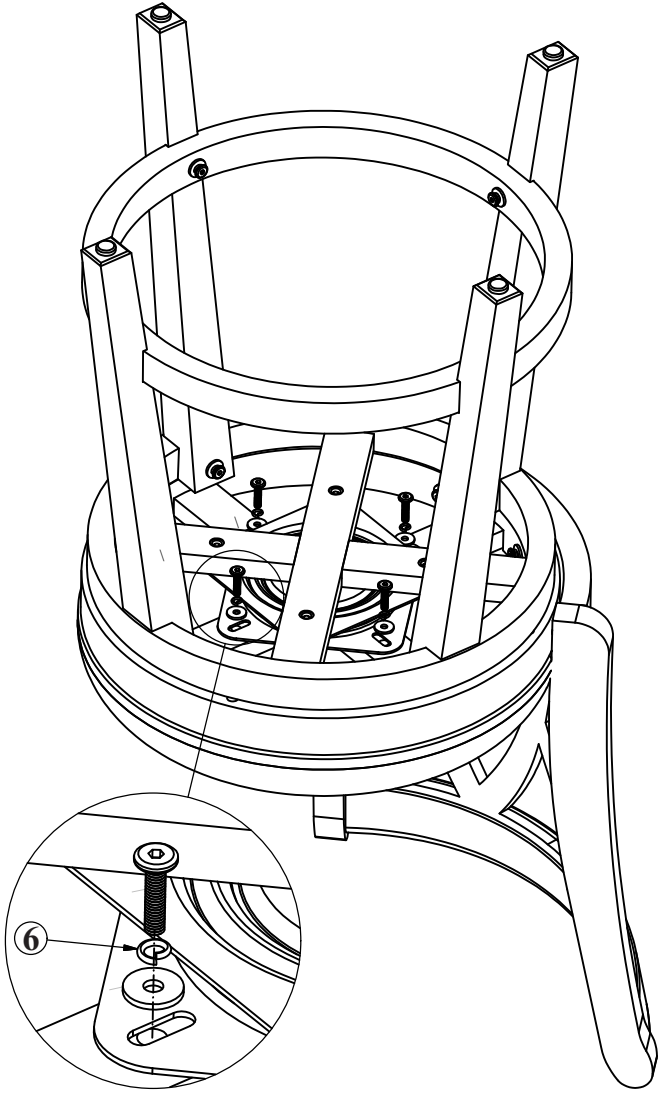
ASSEMBLY INSTRUCTIONS
WILBRAHAM 24" SWIVEL BARSTOOL

STEP 3



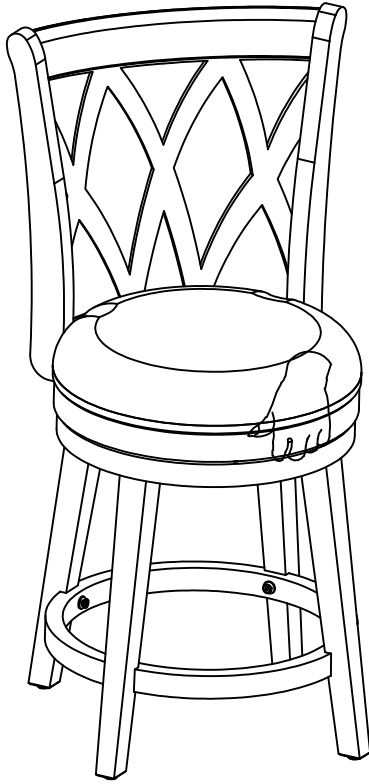
Insert 4 sets hardware first, then tighten together after alignment is done

STEP 4



ASSEMBLY INSTRUCTIONS
WILBRAHAM 24" SWIVEL BARSTOOL

The end



CAUTION: DO NOT put fingers in the seat gap

Caution: If uneven leg(s) on a wobbly swivel bar stool occurs, please follow simple steps below:

- 1. Start by placing the bar stool upside down on a table**
- 2. Loosen the bolts (LOOSEN ONLY AND DO NOT REMOVE THE BOLTS) from Step 1 & Step 2 of Assembly Instruction.**
- 3. Place the bar stool on a perfectly flat surface on its legs then push down the seat of bar stool by placing your hands against the seat (the force of about 30lbs). Your bar stool should now be leveled then tighten all the bolts back in by repeating Step 1 & Step 2 of Assembly Instruction.**