



Parker House  
FURNITURE

# Assembly Instruction

Item No: BAME#1150HBW\_PAD-COT/BAME#1150FB-COT /BAME#115066R-COT

Description : Queen 5/0 Platform Headboard w/Pad Cushion  
Queen 5/0 Platform Footboard w/13 slats & legs  
Queen/King Platform Rails w/ctr support & legs

AMERICANA  
MODERN  
BEDROOM

2023-01-05

## IMPORTANT SAFETY NOTICE: READ CAREFULLY BEFORE BEGINNING ASSEMBLY!

- \*Always use proper tools.
- \*Follow the assembly steps in order. Do not skip any steps.
- \*Be sure to check all packing materials carefully for small parts may have come loose inside the carton during shipment. If parts are missing, contact the retailer from which you purchased the product to obtain any missing parts. **DO NOT USE SUBSTITUTE PARTS.**
- \*Periodically check to ensure that all connectors (bolts, screws, etc.) are tight.
- \*Keep the instructions for future reference.
- \*Some assembly may involve attaching glass or mirrors. Be very careful handling the glass or mirrors, as severe injury may result if the glass or mirror breaks. Never handle large pieces of glass or mirrors by yourself.
- \*When assembling products that have electric cords (lamps, light, etc.), always (1) make sure the electrical cord is unplugged before assembly and (2) be careful not to twist the electrical cord during assembly.
- \*When assembling shelves or entertainment centers, do not stand on lower shelves in order to assemble upper shelves-use a step ladder.
- \*Do not stand on tables, sit on tables or lay down on tables, including but not limited to, end tables, coffee tables, dinner tables as tables are not to support the weight of a person.
- \*Where assembly instructions state that the assembly requires two or more people, do not attempt by yourself as there is a risk of injury.

**NOTE : SIGNATURE DESIGN FURNITURE, LLC. DISCLAIMS ANY LIABILITY FOR DAMAGES OR INJURIES WHICH MAY OCCUR DUE TO FAILURE TO PROPERLY FOLLOW ASSEMBLY INSTRUCTIONS, PROPERLY ASSEMBLE THE PRODUCT, OR PROPERLY USE THE PRODUCT.**

### Hardware List : Headboard

NO	Description	Sketch	QTY
A	Allen Wrench 5/32" (4mm)		1pcs
B	Lock Washer Ø5/16"		8pcs
C	Flat Washer Ø5/16"x3/4" (19mm)		8pcs
D	Bolt Ø5/16"*1-1/2"mm (38mm)		8pcs
E	Wood dowel (Ø10*40mm)		2pcs

### Hardware List : Footboard

NO	Description	Sketch	QTY
F	Allen Wrench 5/32" (4mm)		1pcs
G	Lock Washer Ø1/4"		3pcs
H	Flat Washer Ø1/4"x5/8" (16mm)		3pcs
I	Bolt Ø1/4"*1-3/4"mm (45mm)		3pcs
J	Screw Cap Ø3*1-1/8"(30mm)		26pcs

### PARTS LIST

BAME#1150HBW_PAD-COT Queen 5/0 Platform Headboard w/Pad Cushion		
PANEL HEADBOARD (1PC)	HEADBOARD LEFT LEG(1PC)	
①	②	
HEADBOARD RIGHT LEG(1PC)	HEADBOARD BOTTOM RAIL(1PC)	
③	④	
BAME#1150FB-COT Platform Footboard w/13 slats & legs		
FOOTBOARD (1PC)	SLATS (1SET)	SLATS SUPPORT LEGS(8PCS)
⑤	⑥	⑦
BAME#115066R-COT Queen/King Platform Rails w/ctr support & legs		
LEFT SIDE RAIL (1PC)	RIGHT SIDE RAIL (1PC)	
⑧	⑨	
CENTER SUPPORT RAILS(1PC)	SUPPORT LEGS(3PCS)	
⑩	⑪	

**NOTE: UNIT SHOULD BE ASSEMBLED BY TWO OR MORE PEOPLE.**



**Parker House**  
FURNITURE

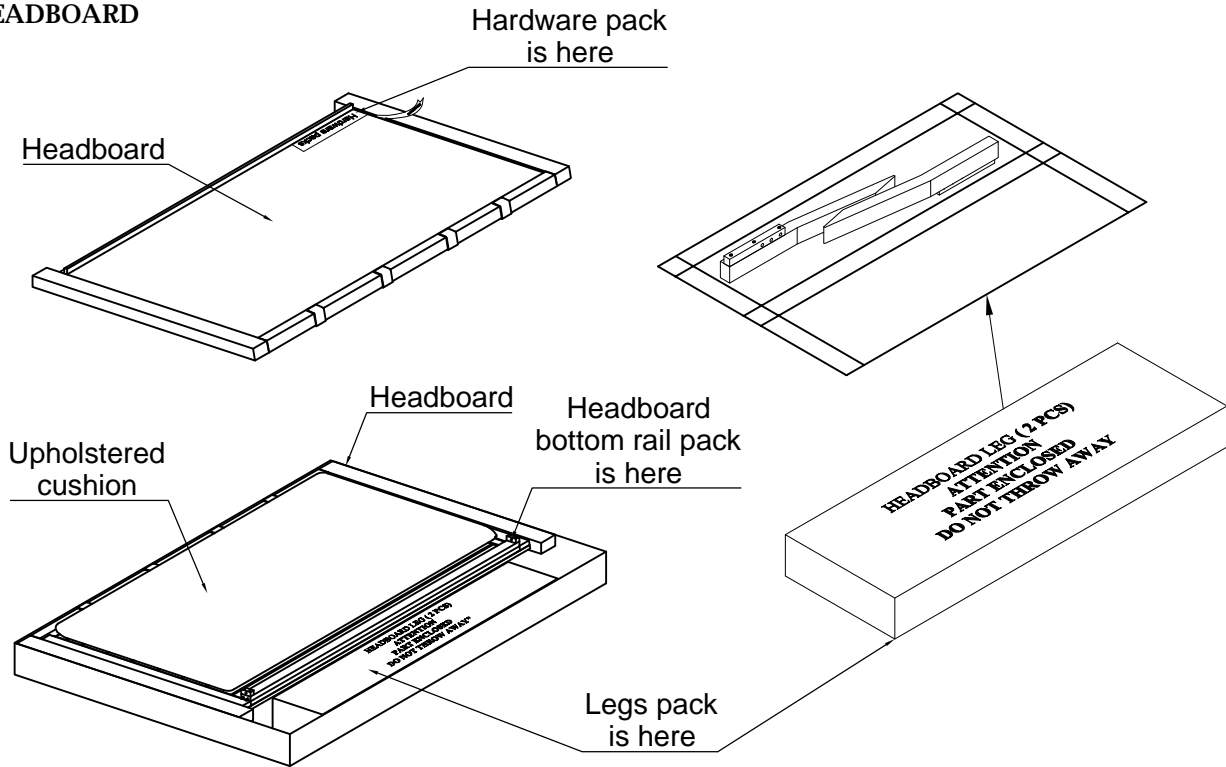
# Assembly Instruction

Item No: BAME#1150HBW\_PAD-COT/BAME#1150FB-COT /BAME#115066R-COT  
 Description : Queen 5/0 Platform Headboard w/Pad Cushion  
 Queen 5/0 Platform Footboard w/13 slats & legs  
 Queen/King Platform Rails w/ctr support & legs

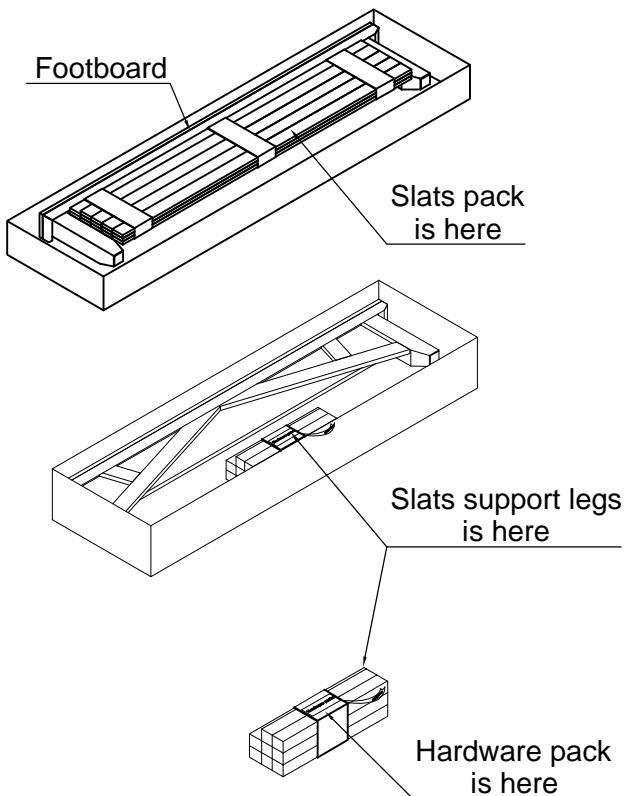
**AMERICANA  
MODERN  
BEDROOM**

2023-01-05

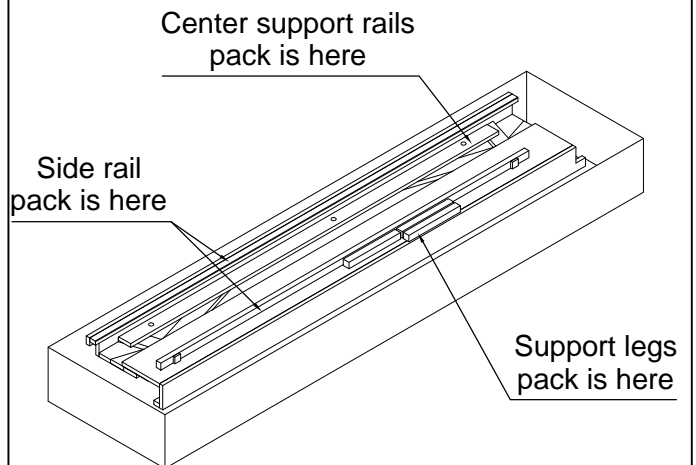
## HEADBOARD



## FOOTBOARD



## QUEEN/KING PLATFORM RAILS





Parker House  
FURNITURE

# Assembly Instruction

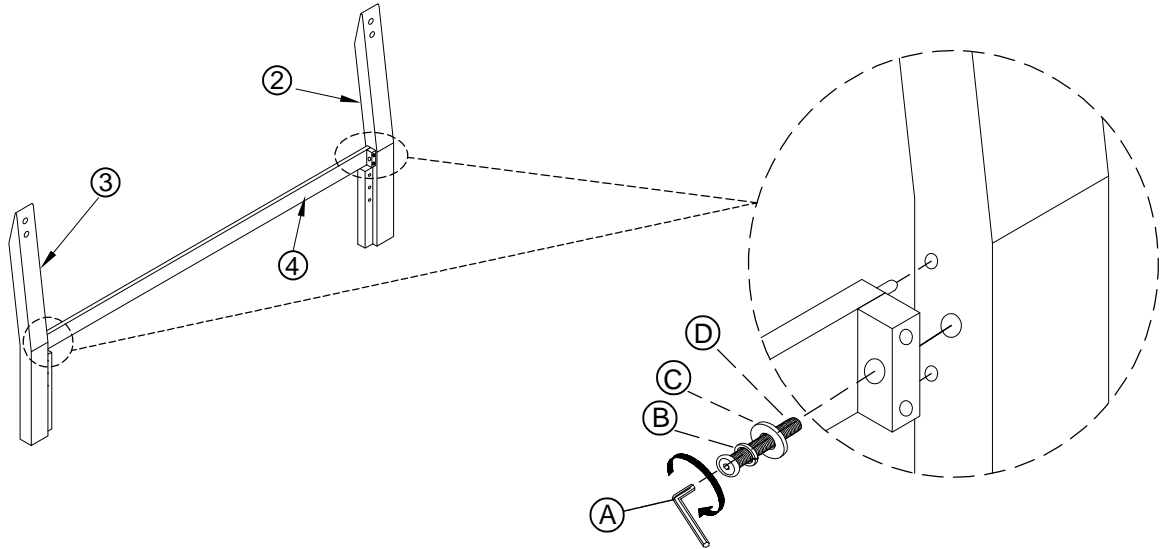
Item No: BAME#1150HBW\_PAD-COT/BAME#1150FB-COT /BAME#115066R-COT

Description : Queen 5/0 Platform Headboard w/Pad Cushion  
Queen 5/0 Platform Footboard w/13 slats & legs  
Queen/King Platform Rails w/ctr support & legs

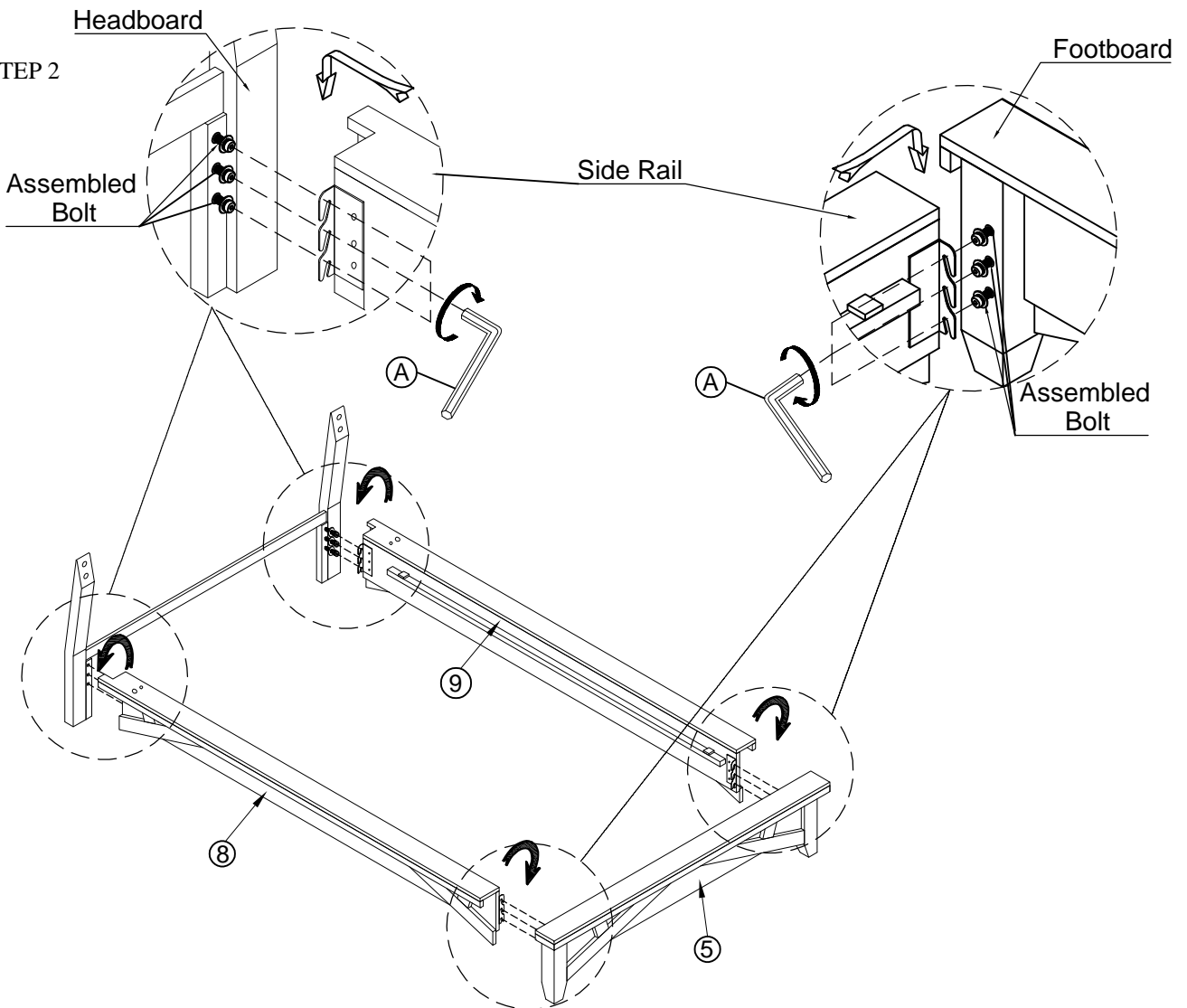
AMERICANA  
MODERN  
BEDROOM

2023-01-05

## STEP 1



## STEP 2





Parker House  
FURNITURE

# Assembly Instruction

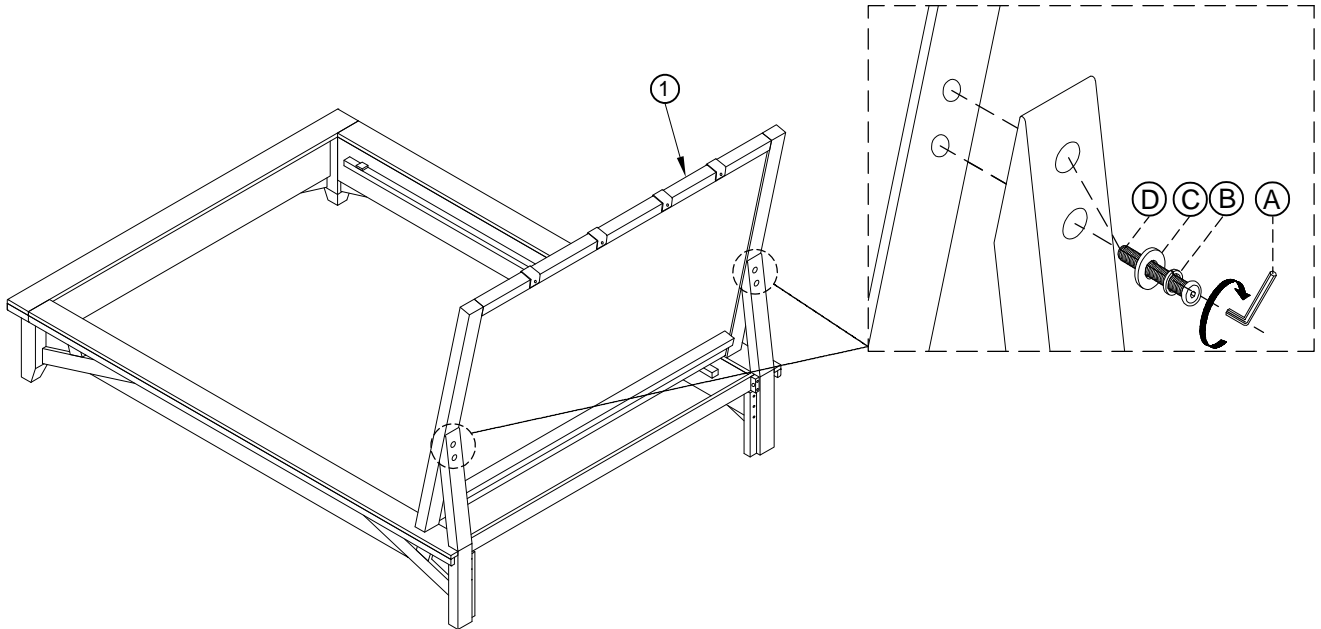
Item No: BAME#1150HBW\_PAD-COT/BAME#1150FB-COT /BAME#115066R-COT

Description : Queen 5/0 Platform Headboard w/Pad Cushion  
Queen 5/0 Platform Footboard w/13 slats & legs  
Queen/King Platform Rails w/ctr support & legs

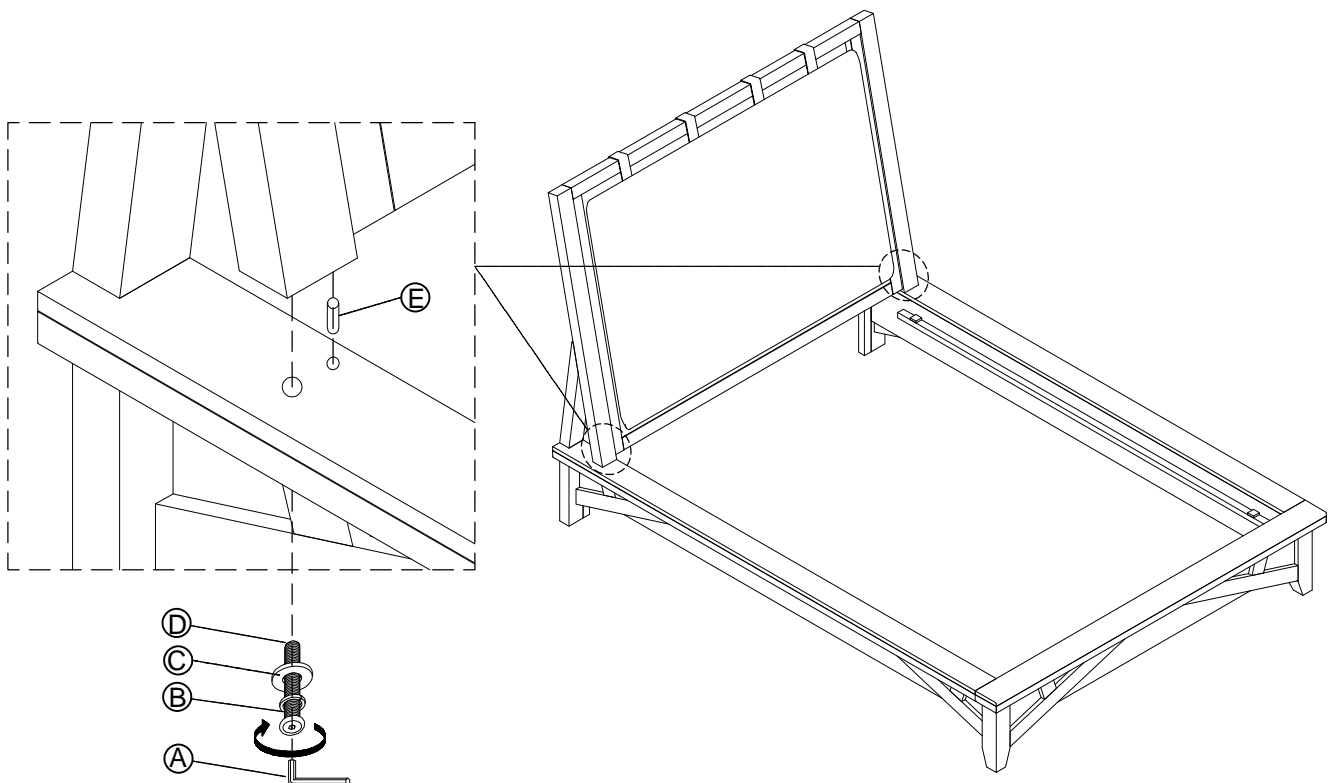
AMERICANA  
MODERN  
BEDROOM

2023-01-05

## STEP 3



## STEP 4





Parker House  
FURNITURE

# Assembly Instruction

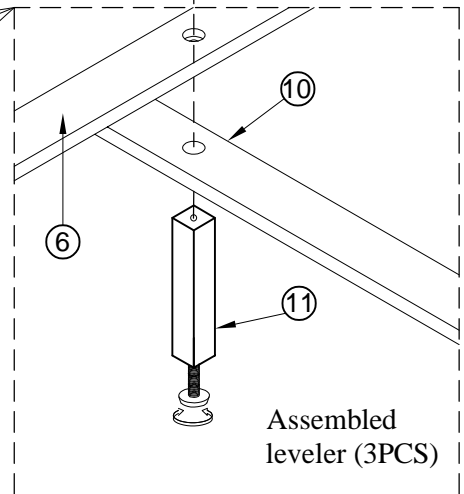
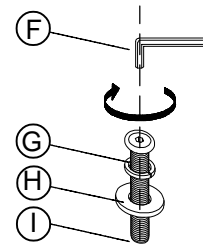
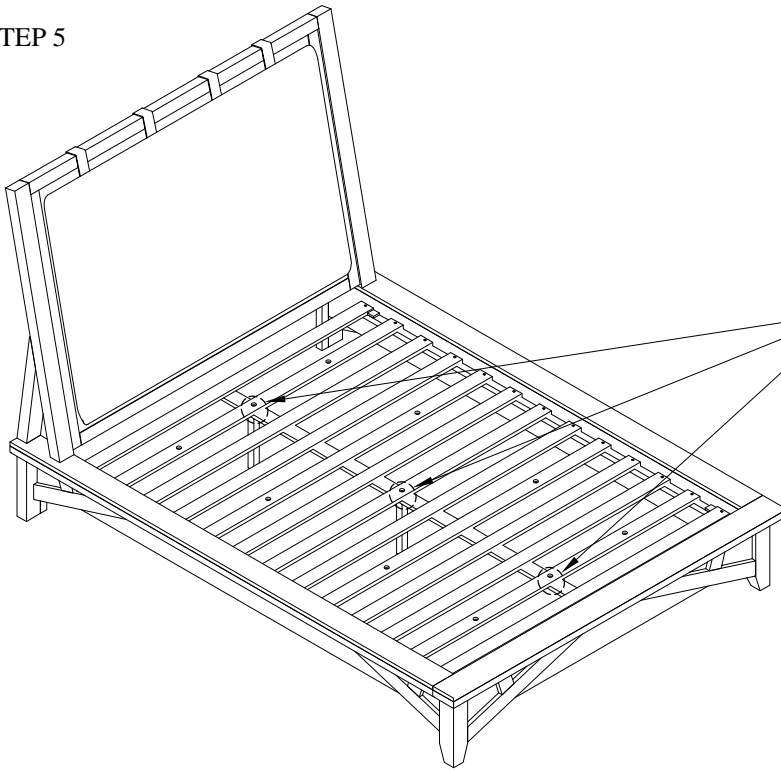
Item No: BAME#1150HBW\_PAD-COT/BAME#1150FB-COT /BAME#115066R-COT

Description : Queen 5/0 Platform Headboard w/Pad Cushion  
Queen 5/0 Platform Footboard w/13 slats & legs  
Queen/King Platform Rails w/ctr support & legs

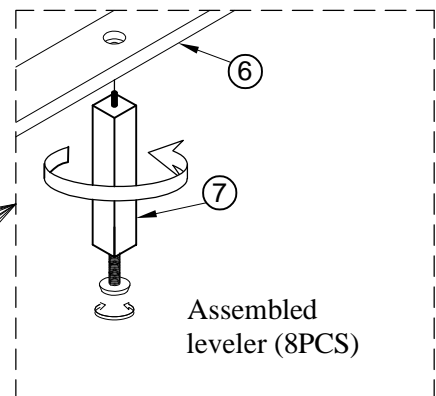
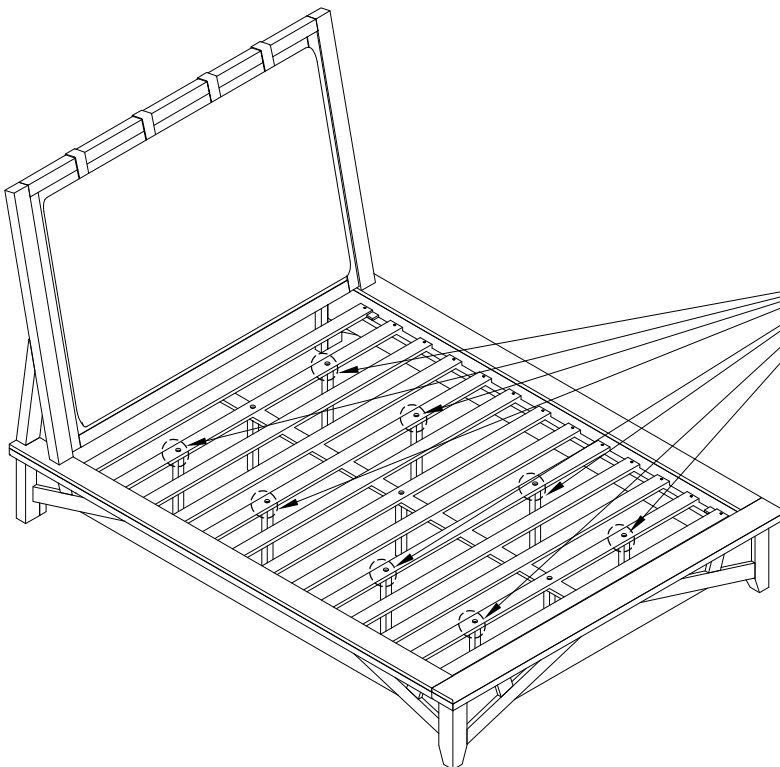
AMERICANA  
MODERN  
BEDROOM

2023-01-05

## STEP 5



## STEP 6





Parker House  
FURNITURE

# Assembly Instruction

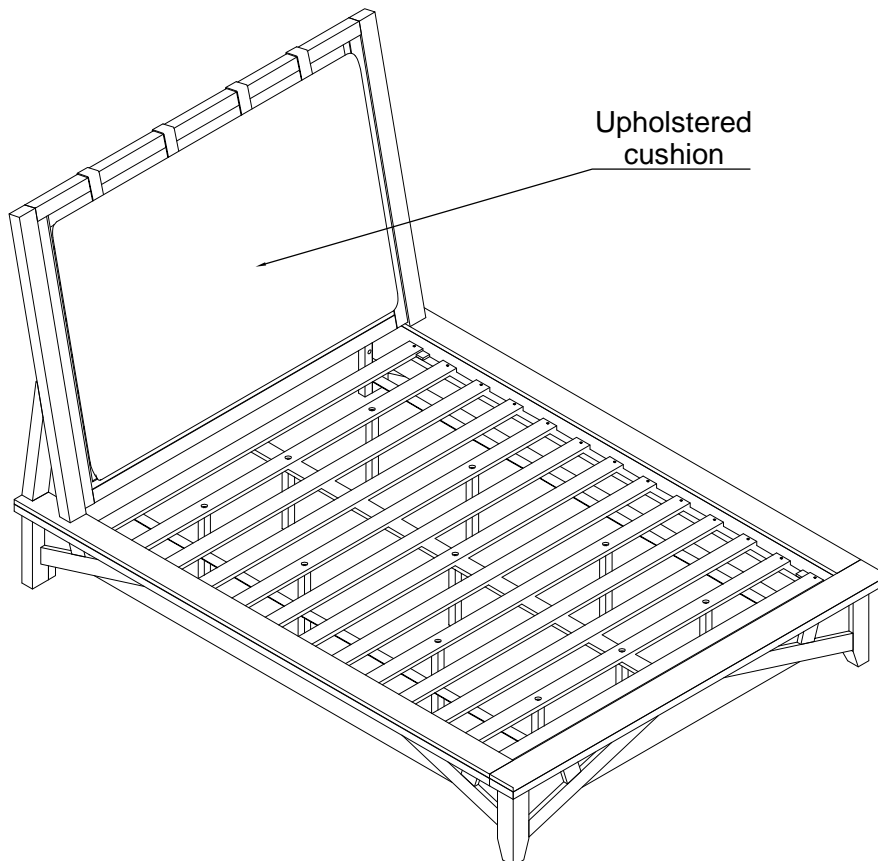
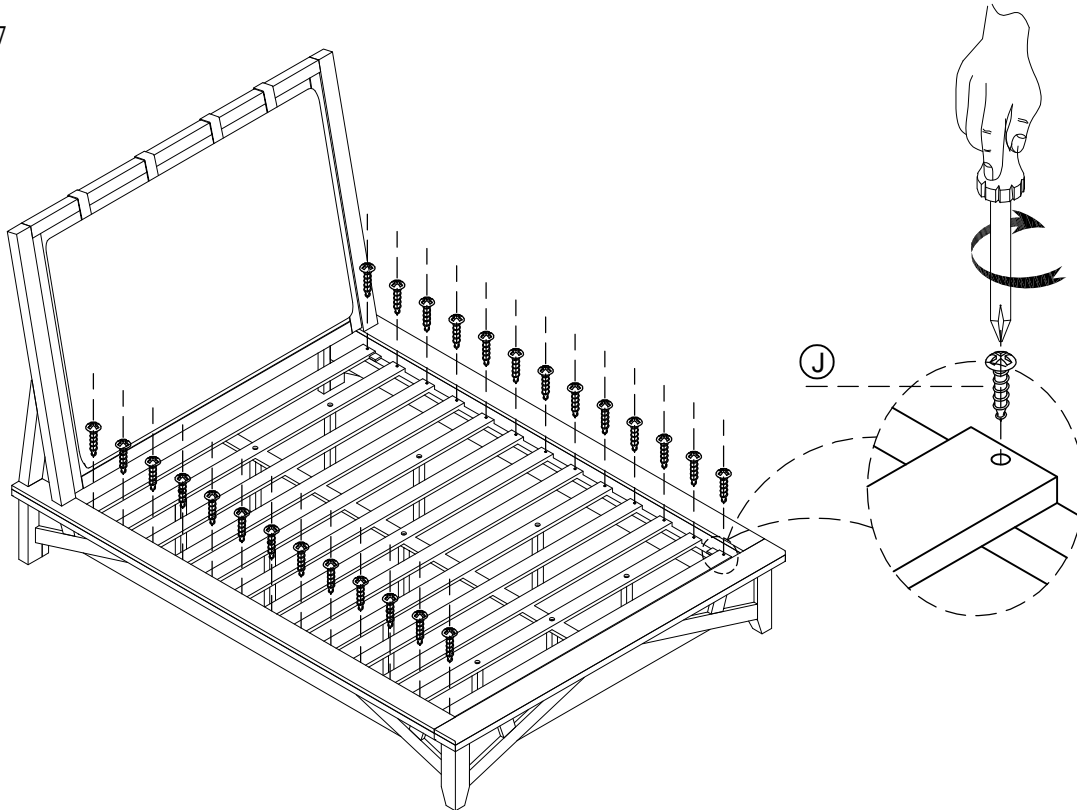
Item No: BAME#1150HBW\_PAD-COT/BAME#1150FB-COT /BAME#115066R-COT

Description : Queen 5/0 Platform Headboard w/Pad Cushion  
Queen 5/0 Platform Footboard w/13 slats & legs  
Queen/King Platform Rails w/ctr support & legs

AMERICANA  
MODERN  
BEDROOM

2023-01-05

STEP 7





Parker House  
FURNITURE

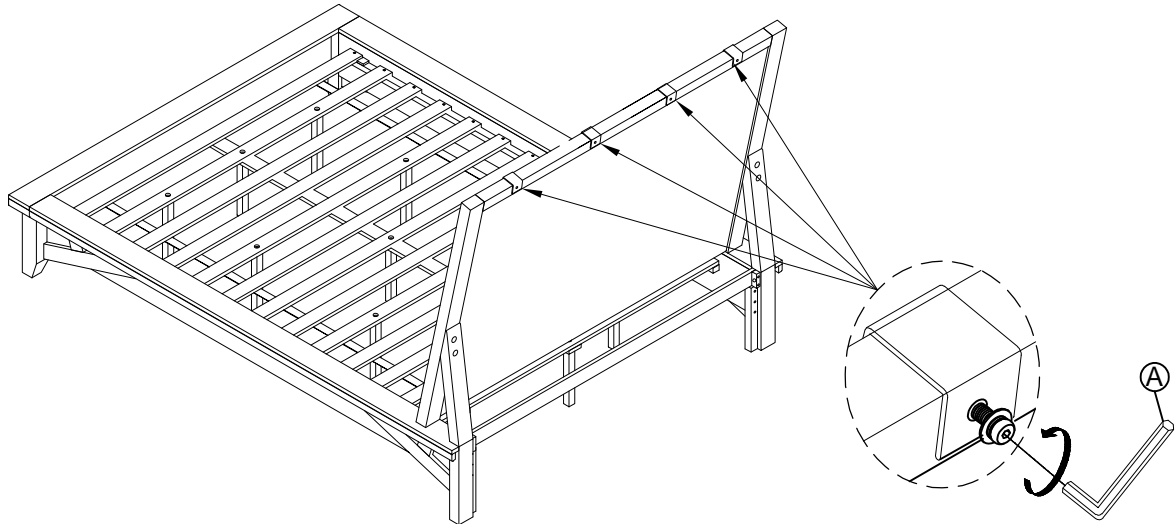
## Assembly Instruction

Item No: BAME#1150HBW\_PAD-COT/BAME#1150FB-COT /BAME#115066R-COT

Description : Queen 5/0 Platform Headboard w/Pad Cushion  
Queen 5/0 Platform Footboard w/13 slats & legs  
Queen/King Platform Rails w/ctr support & legs

AMERICANA  
MODERN  
BEDROOM

2023-01-05



To attach the upholstered pad, remove the four bolts with washers using the allen wrench provided, then place tab grommet over the hole and replace bolt and washer.

