

### Features

- Revolutionary funnel design virtually eliminates splashback.
- KOHLER-engineered water flushing spreader successfully rinses the inverted back wall, sides, and front of the urinal basin for a more sanitary customer experience.
- 3/4" (190 mm) top spud.
- Includes removable strainer, 2" outlet spud, universal mounting bracket, and hangers.
- Large footprint covers old urinal wall print.
- Washout.
- 0.125 gpf (0.47 lpf).
- 15-5/8" (397 mm) extended rim.

### Material

- Vitreous china.
- Vitreous china.

### Installation

- 29-5/8" H x 15" W x 15-5/8" D.

### Water Conservation & Rebates

- Ultra low consumption. Operates at 0.125 gpf (0.47 lpf).
- Offers 80% water savings compared to standard 1.0-gpf urinals.
- This product can help a building earn Water Efficiency points in the LEED Green Building Rating System™. See specification sheet for water use data.

### Recommended Products/Accessories

K-10668 WAVE DC 1/8 GPF Urinal Flushometer  
 K-10949 Tripoint™ DC 1/8 GPF Urinal Flushometer  
 K-13520 Manual 1/8 GPF Urinal Flushometer  
 K-23726 Drain treatment

### Included Components

Additional Components:

2" outlet spud  
 3/4" inlet spud  
 Hanger(s) (Qty 2)  
 Removable strainer  
 Universal mounting bracket



ADA

### Codes/Standards





ASME A112.19.2/CSA B45.1  
 DOE - Energy Policy Act 1992  
 EPA WaterSense®  
 California Energy Commission (CEC)  
 ADA  
 ICC/ANSI A117.1

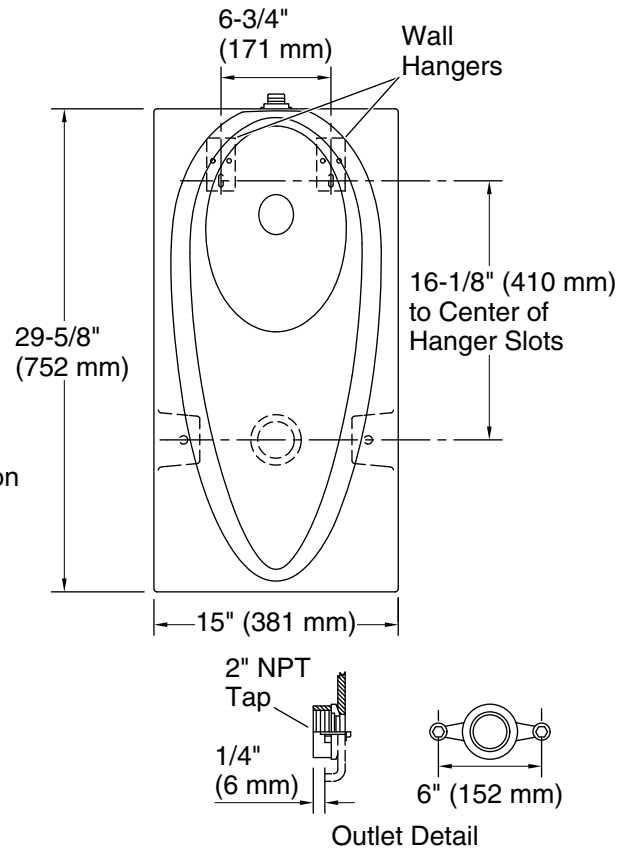
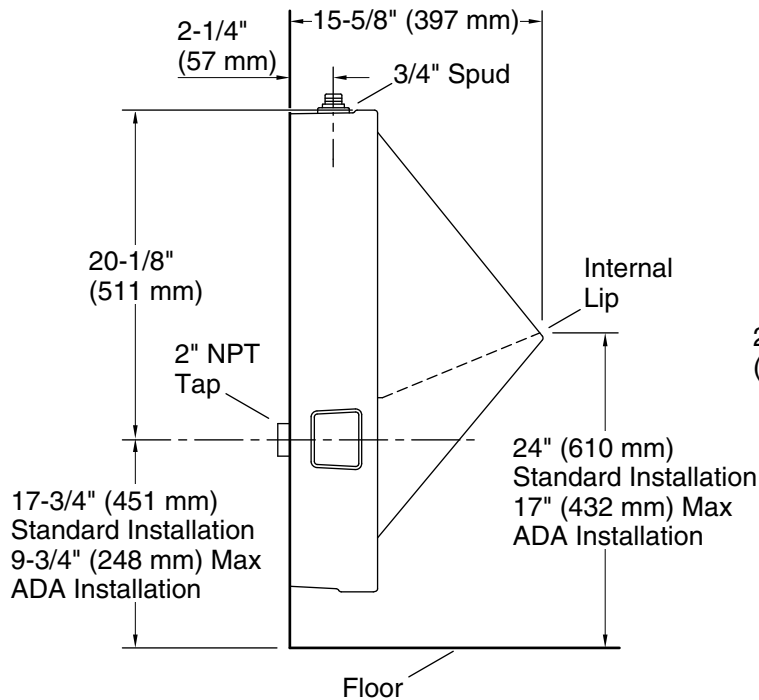
### KOHLER® One-Year Limited Warranty

See website for detailed warranty information.

### Available Colors/Finishes

*Color tiles intended for reference only.*

Color	Code	Description
	0	White
	96	Biscuit
	47	Almond
	7	Black Black™



### Technical Information

All product dimensions are nominal.

Flush outlet  
technology:

Washout

Spud size: 3/4", Inlet, Top

Min. Water per Flush: 0.125 gal (0.5 L)

Designed for the above water use when installed with a water-saving flushometer.

### Notes

Install this product according to the installation guide.

Recommended ADA outlet spud height will account for normal product variation.

For ADA compliance, measurement must be 17" (432 mm) or less from the floor to the top of the lip.

ADA compliant when installed to the specific requirements of these regulations.