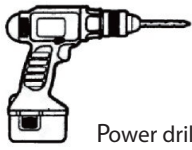


3-Tier Display Wall Shelf

TOOLS REQUIRED



Hammer



Power drill



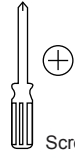
3/8 in. drill bit



Level

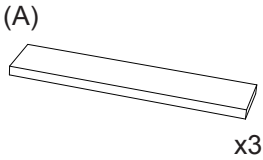


Pencil

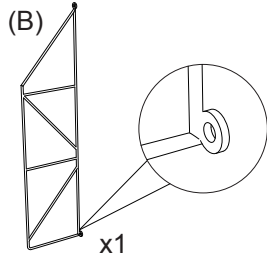


Screwdriver

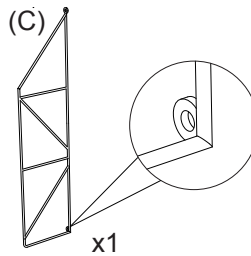
PACKAGE CONTENTS



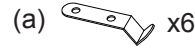
x3



x1



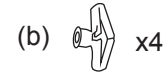
x1



x6



x12

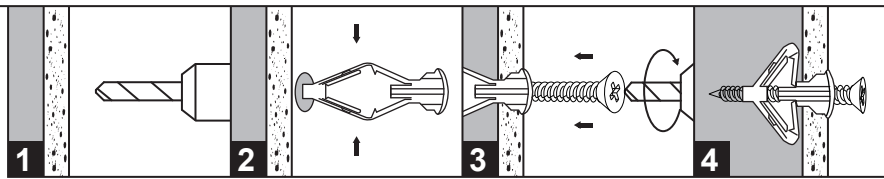


x4

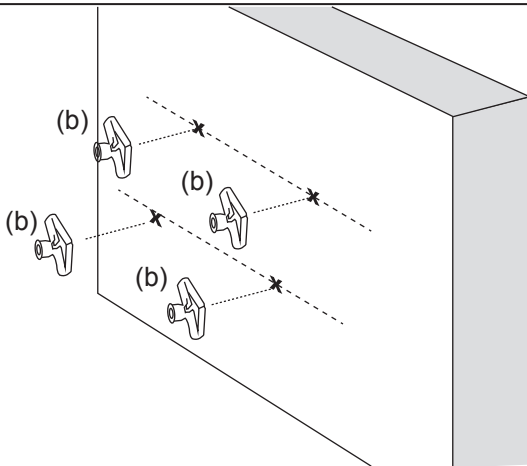


x4

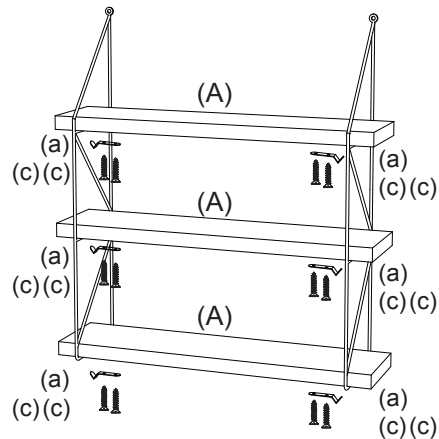
Install plastic anchors



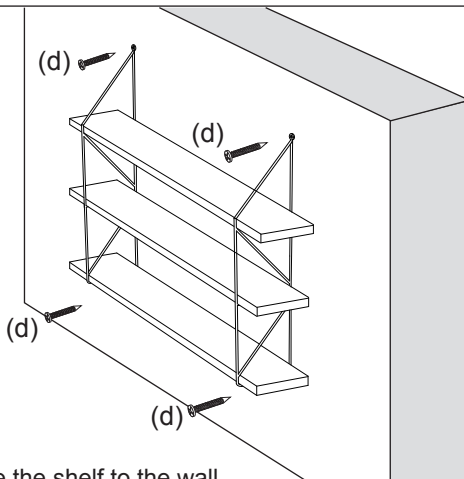
Drill a hole through the drywall where you wish to install the anchor. Squeeze the wing together with your fingers. Force the end of the wing through the hole until the ends of the wing snap into place on the backside of the drywall. Put screws right to the center of the butterfly bolt and screw it into anchor holes until only about a 1/4" is outside of the wall.



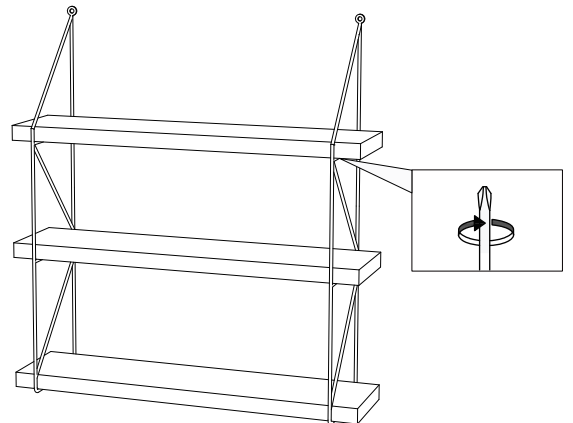
1. Fold the anchors and insert them into the holes in the wall



2. Screw the shelf brackets to each shelf, but NOT tighten.



3. Secure the shelf to the wall.



4. Tighten brackets to each shelf from below.

DISCLAIMER: Install our shelf and shelving units according to instructions provided.

We are not responsible for injury or damage resulting from incorrect installation or use.

Our products are for use only as shelves units and are not intended for any other purposes.

For assistance with installation or missing parts, please contact us via customerservice643@gmail.com

* The emission of the chemicals listed in Prop 65 in this product has been tested to meet the standard of CARB ATCM.