

## Features

- Fits minimum 30-inch apron sink base cabinet.
- Single bowl.
- 8-5/8-inch depth.
- Integral apron and backsplash.
- Two faucet holes.
- Requires K-1814-P and service part 63002 for wall-mount installation (sold separately).

## Material

- Vitreous china.

## Installation

- Wall-mount or top-mount apron-front.

## Recommended Products/Accessories

K-1814-P Wall-Mount Sink Brackets  
63002 Bracket, Tie Bar  
K-6539 Drainboard with Sink Rack  
K-8801 Sink Strainer  
K-8799 Sink Strainer  
K-23726 Drain treatment  
K-23725 Cast iron cleaner

## Optional Products/Accessories

K-6002 Sink Rack  
K-8803 Manual Sink Basket Strainer  
K-8804 Sink Basket Strainer Body  
K-8813 Manual Sink Strainer with Tailpiece  
K-8814 Sink Strainer  
K-8807 Sink Strainer  
K-11352 Disposal Flange with Stopper  
K-9000 P-Trap



## Codes/Standards




ASME A112.19.2/CSA B45.1

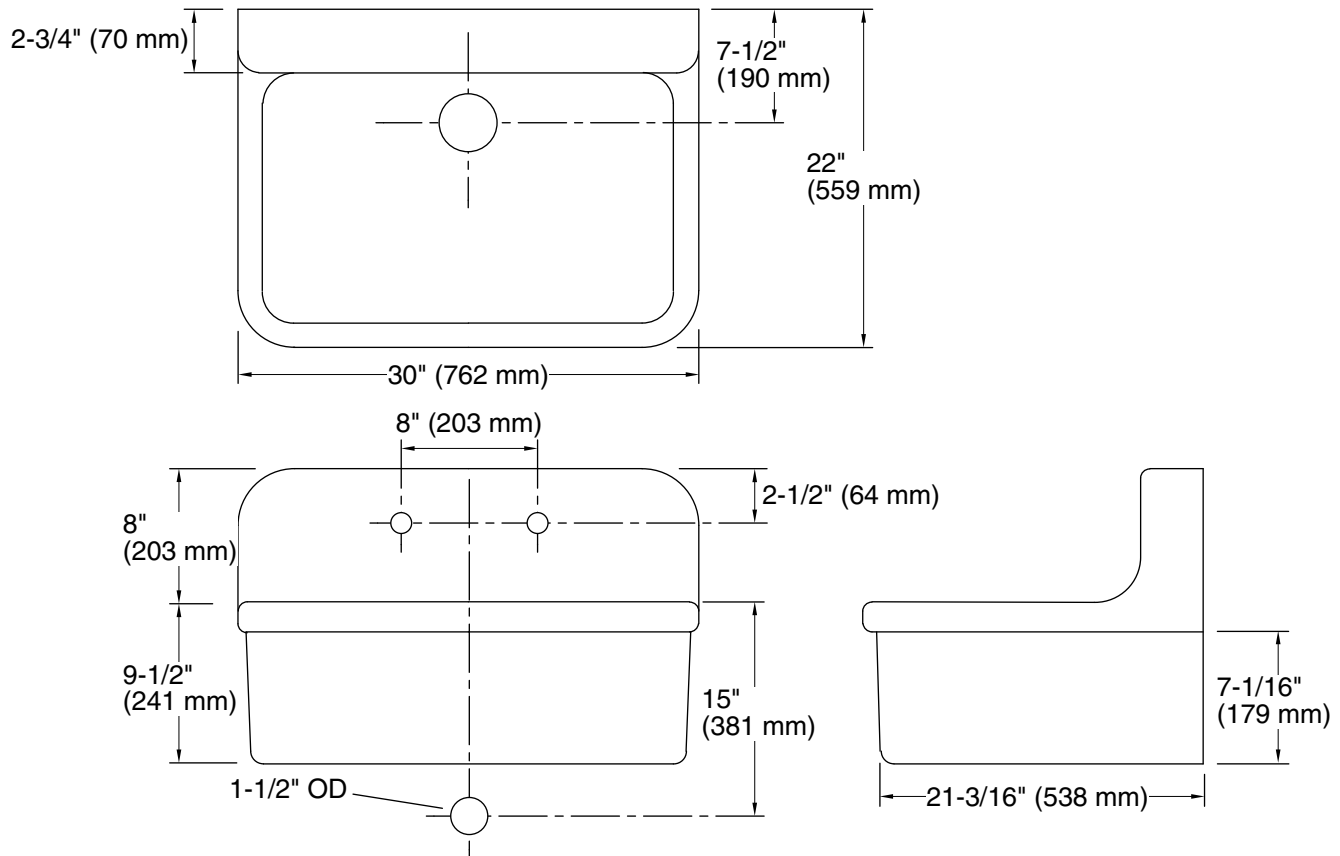
## KOHLER® One-Year Limited Warranty

See website for detailed warranty information.

## Available Colors/Finishes

*Color tiles intended for reference only.*

Color	Code	Description
	0	White
	96	Biscuit
	47	Almond



## Technical Information

All product dimensions are nominal.

Installation: Top-mount  
Min. base cabinet width: 30" (762 mm)

Number of deck holes: 2

Faucet hole(s): 1-3/8" (35 mm)

Drain hole: 3-5/8" (92 mm)

## Notes

Install this product according to the installation instructions.