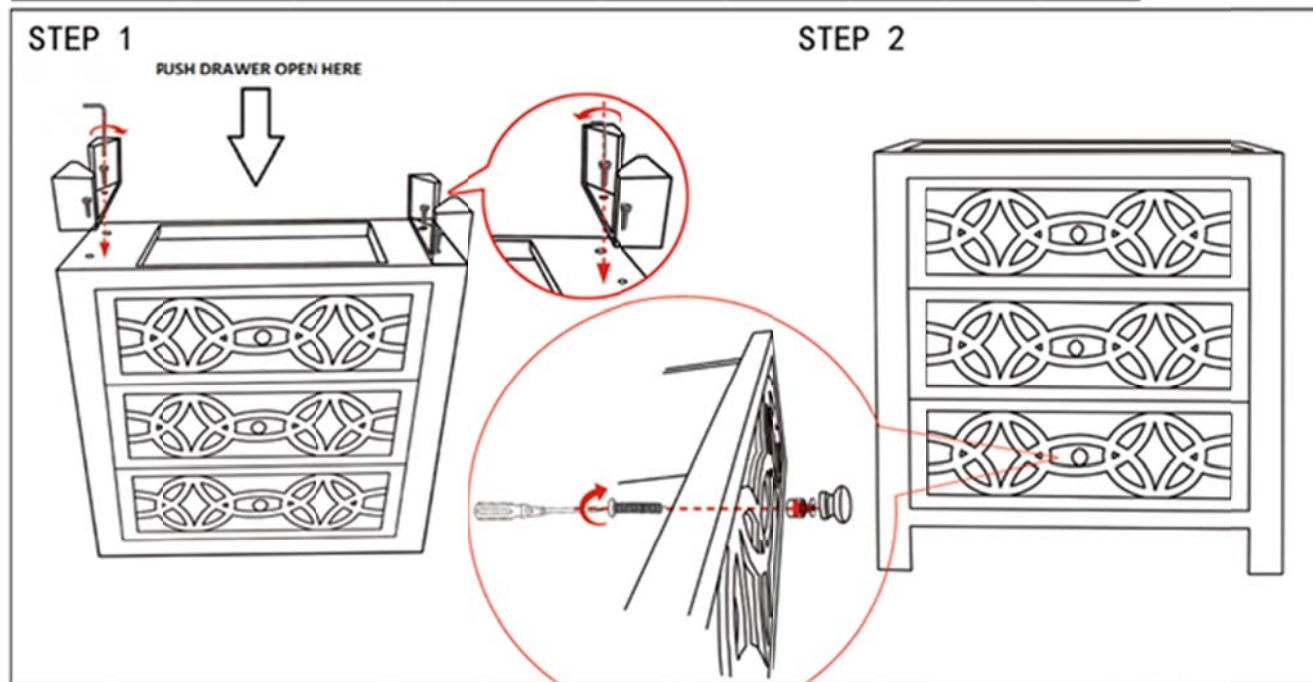


# Assembly Instruction

ITEM # 14006

<b>PARTS</b>								
<b>QTY</b>	2	1	4	4	1	3	3	3



To prevent damage during transit, the drawer knobs have been packed in the same box as the legs.




**INSTRUCTIONS:**

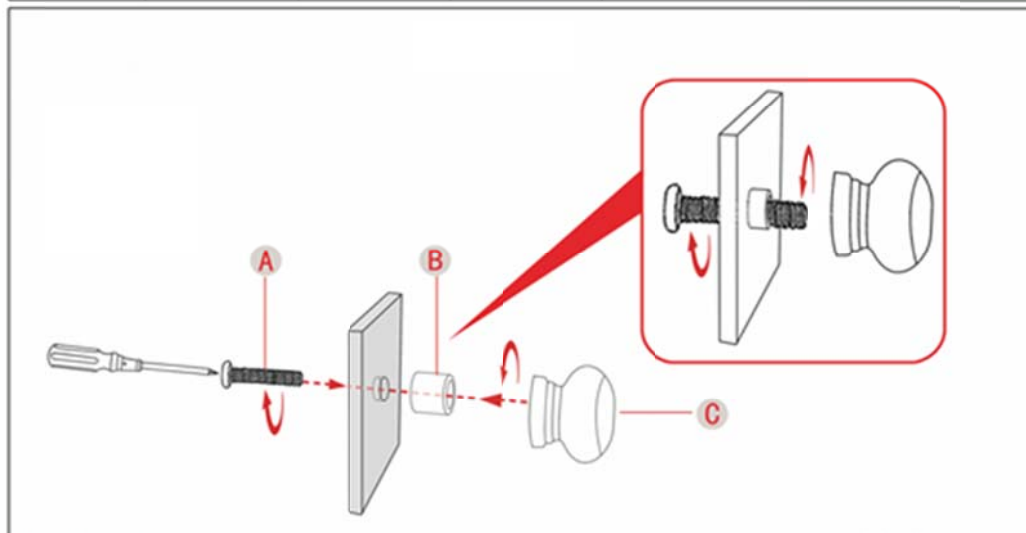
1. Flip the cabinet upside down and you will see that the base of the bottom drawer is exposed.
2. Push open the drawer from the bottom.
3. Once you have the bottom drawer open, you will be able to access the other drawers in the same manner.
4. After opening all the drawers, please follow the instructions in the diagram below to install the drawer knobs.

**Attention**

The MAXIMUM weight capacity for this item is 25lbs  
Do NOT exceed the maximum capacity.  
Do NOT sit on this item.  
Failure to comply could cause breakage and/or injury.

## Knobs Assemble

<b>PARTS</b>	<b>A</b> 	<b>B</b> 	<b>C</b> 	
<b>QTY</b>	3	3	3	



**WARNING:** To prevent any cracking or breaking of the mirror, please do not overtighten the knobs during installaiton.