

**SPECIFICATIONS**


**Features/Benefits**



- Can Be Used as Trim Only for 1/2" Shower Diverter, 3-Port/ 2-Outlet or 4-Port/ 3-Outlet
- Requires Single Handle 4 Position Diverter Valve, D130510BT, or Single Handle 3 Position Diverter Valve, D130515BT, or Single Handle 8 Position Diverter Valve, D130010BT, Sold Separately
- Deep Wall Extension Kit, D130011B, Sold Separately
- Includes Escutcheon and Control Handle Assembly

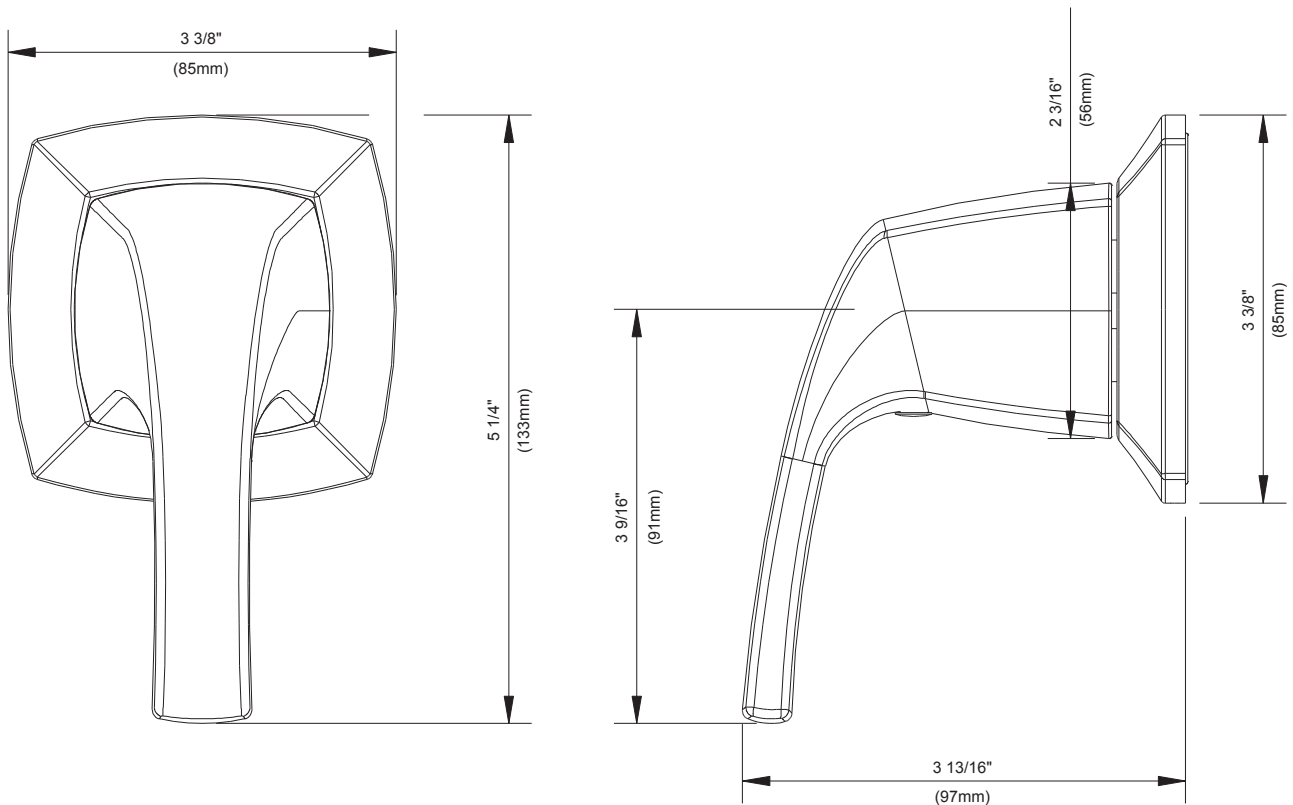
**Available Color/Finishes**

*Color tiles intended for reference only.*

Color	Code	Description
		Chrome
	BN	Brushed Nickel
	BS	Satin Black
	BB	Brushed Bronze

**Standards & Certifications**

ASME A112.18.1/CSA B125.1  
ADA for lever handle control



**Submittal Information:**

Name: \_\_\_\_\_ Contractor: \_\_\_\_\_  
 Location: \_\_\_\_\_ Contact #: \_\_\_\_\_