



100 Lamp Light Circle
 Summerville, SC 29483
 1-843-278-0000
 1-843-278-0001 Fax
 www.aamsco.com
 info@aamsco.com

ALINEA®

100 cm
 50 cm
 30 cm



CAUTION

READ BEFORE INSTALLING

- Read the instructions carefully. If you have any questions regarding the proper installation, or local electrical codes, consult a qualified electrician.
- Do not install outdoors or in applications other than intended use. **Best suited for vertical mount.** Install in accordance with national, state, and local codes.
- This fixture should be protected by a ground fault circuit interrupter when installed in bathrooms or other damp locations.
- Turn electrical power off when installing and relamping this fixture.
- Surface mount only. Do not recess housing.
- Mount fixtures only to surfaces that are mechanically sound throughout the entire length. Use the keyhole slots provided on the back of the fixture (Fig. 1). Do not use adhesives of any kind.
- A minimum spacing of 1 1/2" (Fig. 2) is required between the lamp and all surfaces (including drapery, curtains, and wallpaper) for maintaining proper ventilation. *See note below.
- For supply connections use wire rated for at least 75°C (167°F).
- Risk of fire: most dwellings built before 1985 have supply wire rated at 60°C. Consult a qualified electrician before installing.
- Clean with a vinegar based glass cleaner. Do not spray directly onto fixture.

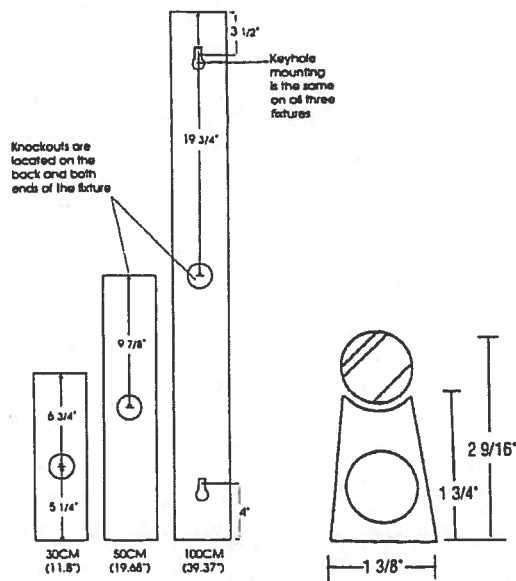


Fig. 1

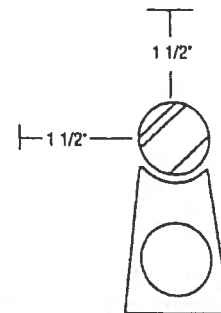
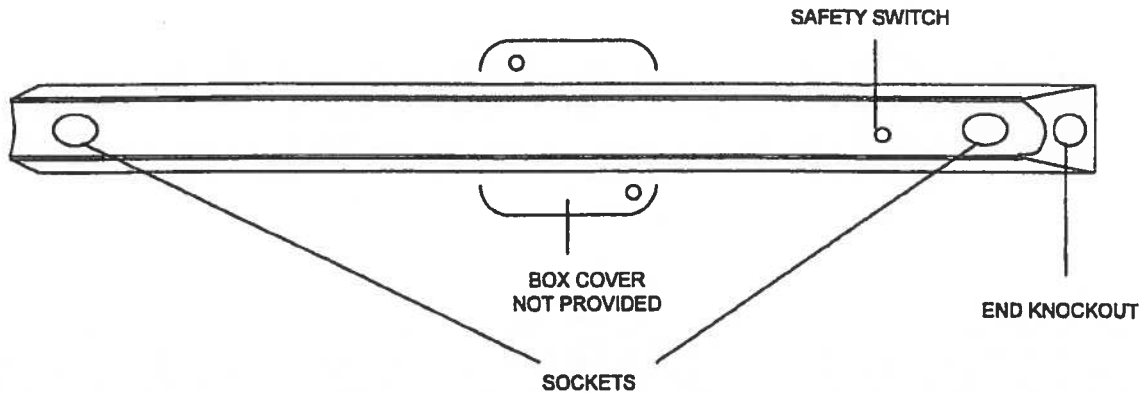


Fig. 2

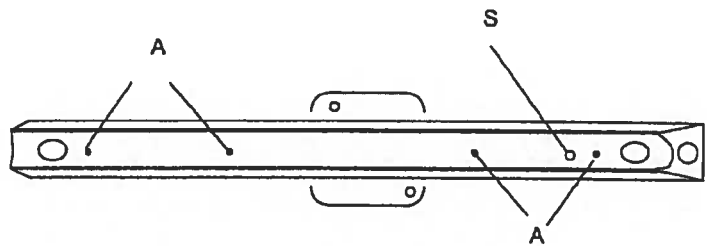
*If using LED, a minimum of 1/2" space is required.

The sockets are located at both ends of the fixture. Although the Alinea is made in the U.S.A. and is U.L. approved, it is of European design and we recommend that even the most experienced electrician read these instructions before installations.



CAUTION: Removal of any screws not mentioned in the following instructions may result in damage to the fixture.

To install the Alinea fixture to a junction box, you will need to remove the upper half of the fixture from the lower half. This is done by removing the screws in the upper channel on the upper half of the fixture (see letter A of illustration). Note: On 50cm and 30cm fixtures, there are only 2 screws to be removed.



When you reinstall the channel screws to the upper half of the fixture, do not install screws too tightly as this will cause excessive pressure on the safety switch (see letter S on illustration) and keep the lamp from operating.

MOUNTING VARIATIONS

- Use of a remote junction box (up to 6 ft. away), recommend using a 3/8" Greenfield with a 1/2" connector.
- Existing junction or gembox can use box cover (not included) over existing outlet.
- Recommend a 1/2" chase nipple and locknut for connecting fixtures together.

WIRING

A. Wiring is connected through the knockout hole provided. Wiring should be done by a qualified electrician in accordance with state and local electrical codes. The fixture should be protected by a ground fault circuit interrupter when installed in bathrooms or other damp locations.

B. Connect supply wires as follows: Supply black (hot) to fixture black (hot); supply white (common) to fixture white (common); supply green (ground) to fixture green (ground).

LAMPING

For best results, use Aamsco Alinea lamps only. Use of any unauthorized light source will void warrantee.