



INSTALLATION & OPERATION GUIDE FOR EVERCLEAN® / EVOLUTION® WHIRLPOOLS AND BATHTUBS

| | |
|-------------------------|-----------------|
| MODEL 2422L / V | 5' x 32" |
| MODEL 6060LC / VC / LCE | CORNER |
| MODEL 2771L / V | 5' x 36" |
| MODEL 2645L / V | OVAL |
| MODEL 7236L / V | 6' x 36" |
| MODEL 2425L / V - LHO | 5' x 32" IA-LHO |
| MODEL 2425L / V - RHO | 5' x 32" IA-RHO |
| MODEL 2908L | REMINISCENCE® |
| MODEL 2711L | ELLISSE® |
| MODEL 2773L | CADET® 6' x 36" |
| MODEL 2774L | CADET® 6' x 42" |
| MODEL 2775L | CADET® CORNER |
| MODEL 2732L | 5' x 32" |

THANK YOU...

for selecting an American Standard bath. Your new bath is shipped to you after careful inspection. The whirlpool version is completely assembled with pump, motor, and system piping. All you need to finish the whirlpool installation are your selected fittings and electrical connections.

To ensure maximum performance and pleasure from this product, please follow the instructions and cautions.

FOR AFTER-SALES SERVICE CALL 1 (800) 442-1902 WEEKDAYS.

© AS Americas Inc. 2014
All product names listed herein are trademarks
of AS America Inc. unless otherwise noted.








TABLE OF CONTENTS:

| | |
|---|------------|
| Safety Instructions..... | Page 3 |
| General Information..... | Page 4 |
| Optional Components..... | Page 4 |
| Specifications..... | Page 5 |
| Roughing-in Reference..... | Page 6-9 |
| Framing and Support Instructions..... | Page 10 |
| Mounting Instructions..... | Page 11 |
| Electrical Connections..... | Page 12 |
| 6060LC/VC Corner EZ-Install Heater..... | Page 13 |
| Operation..... | Page 14-15 |
| Drain Connection and System Test..... | Page 16 |
| Care and Cleaning..... | Page 16 |
| Warranty..... | Page 17 |

IMPORTANT SAFETY INSTRUCTIONS

INSTRUCTIONS PERTAINING TO A RISK OF FIRE, ELECTRIC SHOCK OR INJURY TO PERSONS

READ AND FOLLOW ALL INSTRUCTIONS!

-  **WARNING: *Risk of personal injury.*** Do not permit children to use this unit without adult supervision.
-  **WARNING: *Risk of personal injury.*** Do not operate this unit without the guard over the suction fitting.
-  **WARNING: *Risk of electric shock.*** Do not permit electrical appliances (hair dryer, telephone, radio, etc.) within 60 inches (1524mm) of this unit.
-  **WARNING: *Risk of hyperthermia and possible drowning.*** People using medications and/or having adverse medical history should consult a physician before using this product.
-  **WARNING: *Risk of personal injury.*** Do not overfill unit before entering. Entering tub when filled more than 2/3 can cause overflow and slippery conditions. Exercise caution when entering and exiting.
-  **WARNING: *No Food or Alcoholic Beverages.*** Use of your bathtub immediately after meals is not recommended. Avoid alcohol consumption before or during bathing. Alcoholic beverages can cause drowsiness or hyperthermia resulting in loss of consciousness or even drowning.
-  **WARNING: *Pregnancy.*** If you are or think you may be pregnant, consult your physician before using the bathtub.

Never drop or insert any object into any opening.

Use this unit only for its intended use as described in this manual. Do not use any attachments not recommended by American Standard.

The unit must be connected only to a supply circuit that is properly protected by a ground-fault circuit-interrupter (GFCI). Such a GFCI should be provided by the installer and should be tested on a routine basis. To test the GFCI, push the test button. The GFCI should interrupt power. Push the reset button. Power should be restored. If the GFCI fails to operate in this manner, the GFCI is defective. If the GFCI interrupts power to the bathtub without the test button being pushed, a ground current is flowing, indicating the possibility of an electric shock. Do not use this hydromassage bathtub. Disconnect the hydromassage bathtub and have the problem corrected by a licensed electrician before using.

A pressure wire connector is provided on the exterior of the motor unit to permit connection of a no. 8 AWG solid copper bonding conductor between this unit and all other electrical equipment and exposed metal in the vicinity, as needed to comply with local requirements. To reduce the risk of an electric shock, connect this connector to the grounding terminal of your electric service or supply panel with a conductor equivalent in size to the circuit conductors supplying this unit.

SAVE THESE INSTRUCTIONS

General Installation Information

Carefully uncrate and inspect your new bath for any shipping damage. If such damage is found, report it to your vendor immediately. After inspection and during installation, protect the bath from construction damage. **Before installation, and before enclosing with wallboard, tile, etc., the bath must be filled with water and operated to check for leaks that may have resulted from shipping damage or mishandling!** Do not make modifications to the whirlpool system or remove pump from factory mounting. This could adversely affect the safety and performance of the whirlpool and void the warranty. Do not handle or move the whirlpool by the pump, motor, or piping system. Fittings (bath filler, shower arm, etc.) are not provided with the bath and must be ordered separately. Framing and enclosing materials are provided by others.

For electrical requirements, refer to section titled "Whirlpool Electrical Installation Instructions"

Check for availability of optional American Standard wall tiling bead (required for recess installation).
Protect all finished surfaces of the whirlpool during construction and installation using a drop cloth.

⚠ WARNING: Do not lift whirlpool by the piping harness at any time.

List of Required Tools and Supplies:

Tools

- Level
- Tape Measure
- Pipe Wrench
- Slip Joint Pliers
- Screw Driver
- Standard Woodworking Tools
- Personal Safety Equipment
- Caulking Gun

Supplies

- Nails
- Putty
- Caulking (waterproof)
- 1 x 4 Stringers
- Drop Cloth
- Cement, Plaster, Grout

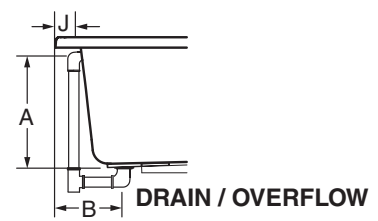
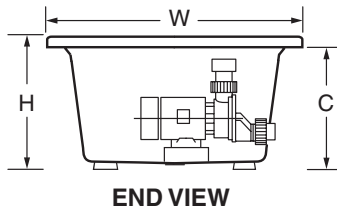
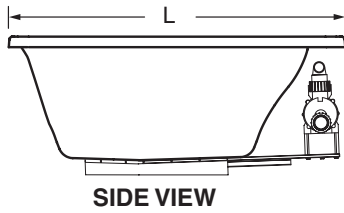
LIST OF OPTIONAL COMPONENTS (NOT INCLUDED):

| Description | Model Number | Required Components (Not Included) | | Optional Components (Not Included) | | |
|----------------------------------|--------------|------------------------------------|--------------------------|------------------------------------|---------------|---------------|
| | | Drain • (White) | Drain • (Specify Finish) | E-Z Install Heater | Apron Kit | Tile Bead Kit |
| EverClean Corner | 6060LCE | 1599.500.020 | 1583.470.XXX | √ | NOT AVAILABLE | √ |
| EverClean / Evolution Corner | 6060LC/VC | 1599.500.020 | 1583.470.XXX | INCLUDED | NOT AVAILABLE | √ |
| EverClean / Evolution 5' x 32" | 2422 | 1599.500.020* | 1599.205.XXX* | √ | 9261.019 | √ |
| EverClean / Evolution 5' x 36" | 2771 | 1599.500.020* | 1599.205.XXX* | √ | 9261.019 | √ |
| EverClean / Evolution 6' x 36" | 7236 | 1599.500.020* | 1599.205.XXX* | √ | 9271.019 | √ |
| EverClean /Evolution 5' x 32" IA | 2425 | 1599.500.020* | 1599.205.XXX* | √ | INTEGRAL | N/A |
| EverClean / Evolution Oval | 2645 | 1599.500.020 | 1583.470.XXX | √ | 9266.018 | √ |
| EverClean Reminiscence | 2908 | 1599.500.020 | 1583.470.XXX | √ | NOT AVAILABLE | N/A |
| EverClean Ellisse | 2711 | 1599.500.020 | 1583.470.XXX | √ | NOT AVAILABLE | √ |
| EverClean Cadet 6' x 36" | 2773 | 1599.500.020 | 1583.470.XXX | √ | 9272.018 | √ |
| EverClean Cadet 6' x 42" | 2774 | 1599.500.020 | 1583.470.XXX | √ | 9272.018 | √ |
| EverClean Cadet Corner | 2775 | 1599.500.020 | 1583.470.XXX | √ | NOT AVAILABLE | √ |
| EverClean 5' x 32" | 2732 | 1599.500.020 | 1583.470.XXX | √ | 5FT-APRON | √ |

• For these components please see your Vendor.

* These models require American Standard Lifetime® Drain 1599.205 or 1599.500

SPECIFICATIONS:



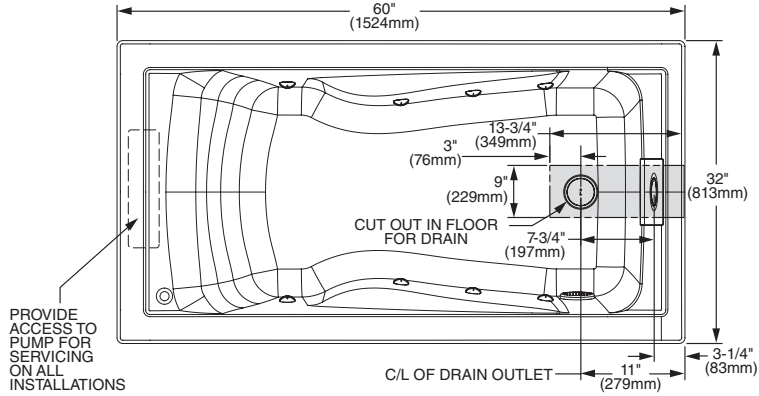
GENERAL SPECIFICATIONS FOR EVERCLEAN / EVOLUTION WHIRLPOOLS AND BATH TUBS

| Description | Dimensions L-W-H | Drain / Overflow | Height to Underside of Deck: C | Cut Out Pier G x F | Rough-In Recess E x D | Tab Edge to Centerline Overflow: J | Weight with Water / Floor Loading | Product Weight | Apron / Mounting | Heater Ready for Field Installation | Gallon to Overflow | Whirlpool Operating Volume |
|------------------------------|---|--|--------------------------------|--|---|------------------------------------|--|------------------|------------------|-------------------------------------|--------------------|----------------------------|
| 6060LC / VC / LCE Corner* | L 1949mm (76-3/4") W 1661mm (65-3/8") H 546mm (21-1/2") | A 18" (457mm) B 13-3/4" (349mm) | C 19-1/2" (495mm) | Template Provided | Template 751627-400 | 5-5/8" (130mm) | 824 lb. (374 kg)/ 25 lb./sq.ft. (117 kg/sq.m) | 108 lb. (49 kg.) | N/A | Included | 86 gal. (325 l.) | 71 gal. (269 l.) |
| 2422L / V 5' x 32" | L 1524mm (60") W 813mm (32") H 546mm (21-1/2") | A 20-1/8" (511mm) B 11" (279mm) | C 20" (508mm) | 58-1/2" (1485mm) x 30-1/2" (774mm) | 60-3/16" (1528mm) x 30-1/2" (774mm) | 3-1/4" (83mm) | 690 lb. (313 kg)/ 53 lb./sq.ft. (260 kg/sq.m) | 74 lb. (34 kg.) | Optional | Optional | 74 gal. (280 l.) | 33 gal. (125 l.) |
| 2771L / V 5' x 36" | L 1524mm (60") W 914mm (36") H 546mm (21-1/2") | A 20-1/8" (511mm) B 11" (279mm) | C 20" (508mm) | 58-1/2" (1485mm) x 34-1/2" (876mm) | 60-3/16" (1528mm) x 34-1/2" (876mm) | 3-1/4" (83mm) | 800 lb. (363 kg)/ 53 lb./sq.ft. (260 kg/sq.m) | 75 lb. (34 kg.) | Optional | Optional | 87 gal. (329 l.) | 50 gal. (189 l.) |
| 7236L / V 6' x 36" | L 1829mm (72") W 914mm (36") H 546mm (21-1/2") | A 20-1/8" (511mm) B 11" (279mm) | C 20" (508mm) | 70-1/2" (1790mm) x 34-1/2" (876mm) | 72-3/16" (1833mm) x 34-1/2" (876mm) | 3-1/4" (83mm) | 1031 lb. (467 kg)/ 57 lb./sq.ft. (280 kg/sq.m) | 106 lb. (48 kg.) | Optional | Optional | 111 gal. (420 l.) | 53 gal. (201 l.) |
| 2425L / V 5' x 32" LHO / RHO | L 1524mm (60") W 813mm (32") H 521mm (20-1/2") | A 19-1/8" (387mm) B 10-1/2" (266mm) | C 20-1/4" (515mm) | N/A | 60-3/16" (1528mm) x 30-1/2" (774mm) | 2-7/8" (73mm) | 675 lb. (306 kg)/ 40 lb./sq.ft. (262 kg/sq.m) | 92 lb. (42 kg.) | Included | Optional | 70 gal. (265 l.) | 39 gal. (148 l.) |
| 2645L / V Oval | L 1676mm (66") W 914mm (36") H 502mm (19-3/4") | A 15-1/4" (387mm) B 8-1/4" (209mm) | C 18-1/4" (464mm) | 64" (1625mm) x 34" (863mm) | 66-3/16" (1681mm) x 34-1/2" (876mm) | 1-3/4" (44mm) | 580 lb. (263 kg)/ 36 lb./pies cuadrados (175 kg/sq.m) | 96 lb. (44 kg.) | Optional | Optional | 58 gal. (219 l.) | 42 gal. (159 l.) |
| 2908L Reminiscence | L 1676mm (66") W 914mm (36") H 616mm (24-1/4") | A 15-1/8" (384mm) B 13" (330mm) | C 18-1/4" (464mm) | Template Provided | Template 752540-400 | 6" (152mm) | 659 lb. (299 kg)/ 40 lb./sq.ft. (191 kg/sq.m) | 95 lb. (43 kg.) | N/A | Optional | 68 gal. (257 l.) | 55 gal. (208 l.) |
| 2711L Ellisse | L 1829mm (72") W 1219mm (48") H 546mm (21-1/2") | A 17-3/8" (441mm) B 12" (305mm) | C 19-1/2" (495mm) | 70-1/2" (1791mm) x 46-1/2" (1181mm) | 72-3/16" (1833mm) x 46-1/2" (1181mm) | 4" (102mm) | 965 lb. (434 kg)/ 40 lb./sq.ft. (195 kg/sq.m) | 148 lb. (67 kg.) | N/A | Optional | 95 gal. (360 l.) | 74 gal. (280 l.) |
| 2773L Cadet 6' x 36" | L 1829mm (72") W 914mm (36") H 502mm (19-3/4") | A 17" (432mm) B 12" (305mm) | C 18-1/4" (464mm) | 70-1/2" (1791mm) x 34-1/4" (870mm) | 72-3/16" (1833mm) x 34-1/2" (876mm) | 2-1/4" (57mm) | 751 lb. (341 kg)/ 40 lb./sq.ft. (190 kg/sq.m) | 101 lb. (45 kg.) | Optional | Optional | 78 gal. (296 l.) | 64 gal. (243 l.) |
| 2774L Cadet 6' x 42" | L 1829mm (72") W 1067mm (42") H 502mm (19-3/4") | A 16-1/4" (413mm) B 12" (305mm) | C 18-1/4" (464mm) | 70-1/2" (1791mm) x 40-1/2" (1029mm) | 72-3/16" (1833mm) x 40-1/2" (1029mm) | 2-1/4" (57mm) | 821 lb. (372 kg)/ 42 lb./sq.ft. (203 kg/sq.m) | 137 lb. (62 kg.) | Optional | Optional | 82 gal. (310 l.) | 66 gal. (256 l.) |
| 2775L Cadet Corner | L 2159mm (85") W 1524mm (60") H 502mm (19-3/4") | A 16-1/2" (419mm) B 11" (279mm) | C 18-1/4" (464mm) | Template Provided | Template 752539-400 | 11" (279mm) | 756 lb. (343 kg)/ 34 lb./sq.ft. (115 kg/sq.m) | 130 lb. (59 kg.) | N/A | Optional | 75 gal. (284 l.) | 60 gal. (272 l.) |
| 2732L 5' x 32" | L 1524mm (60") W 832mm (32-3/4") H 502mm (19-3/4") | A 17-1/4" (438mm) B 8-1/2" (216mm) | C 18-1/4" (464mm) | 58-1/2" (1485mm) x 31-1/4" (794mm) | 60-3/16" (1529mm) x 31-1/4" (794mm) | 2-5/8" (67mm) | 524 lb. (237 kg)/ 43 lb./sq.ft. (213 kg/sq.m) | 65 lb. (30 kg.) | Optional | Optional | 55 gal. (208 l.) | 47 gal. (155 l.) |

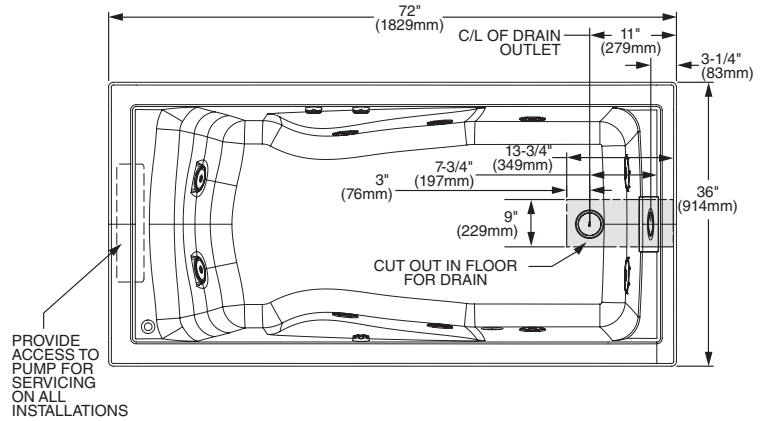
TABLE 1

ROUGHING-IN REFERENCES

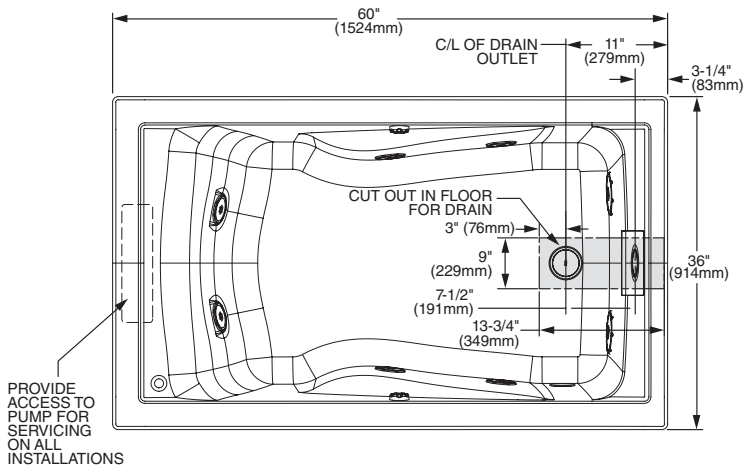
5' x 32" (MODEL 2422L / V)



6' x 36" (MODEL 7236L / V)

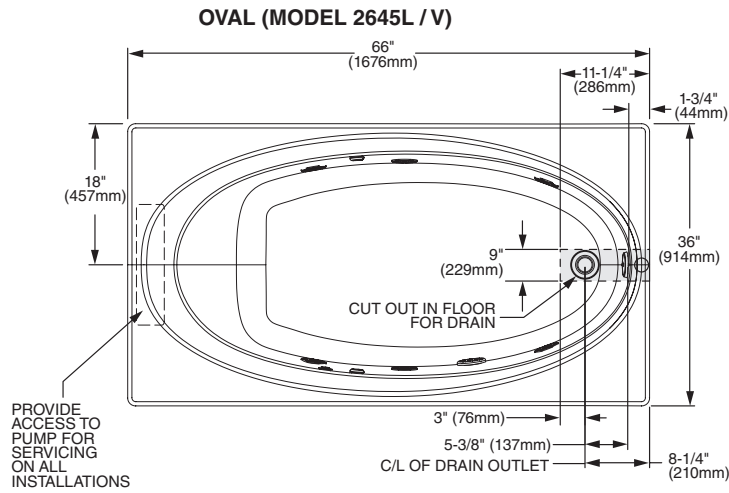


5' x 36" (MODEL 2771L / V)

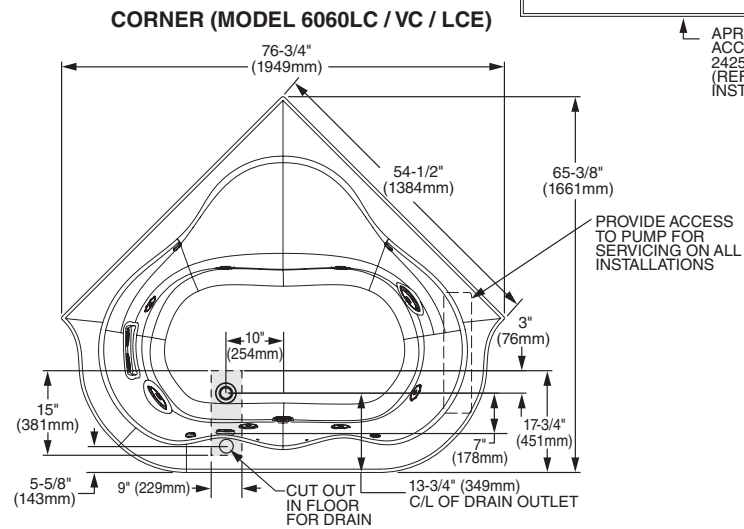
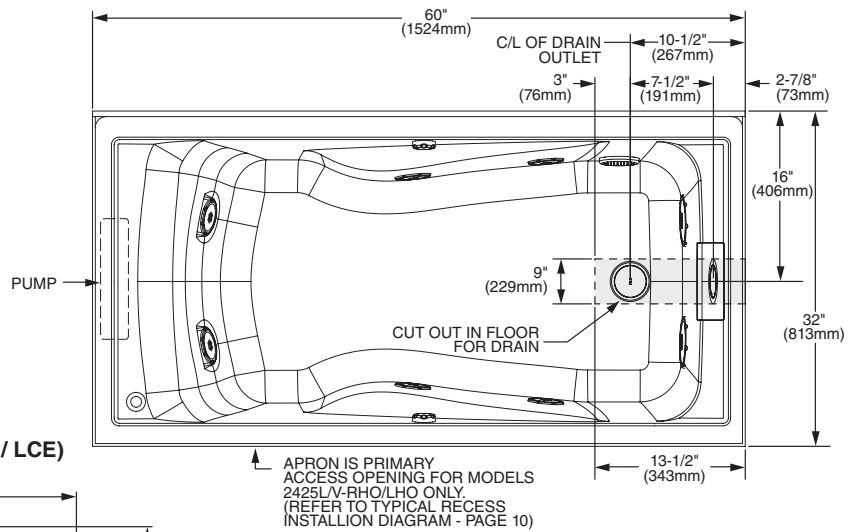


DIMENSIONS OF FIXTURES ARE NOMINAL AND MAY VARY WITHIN THE RANGE OF TOLERANCES ESTABLISHED BY ANSI STANDARDS Z124.1 AND A112.19.7.

ROUGHING-IN REFERENCES



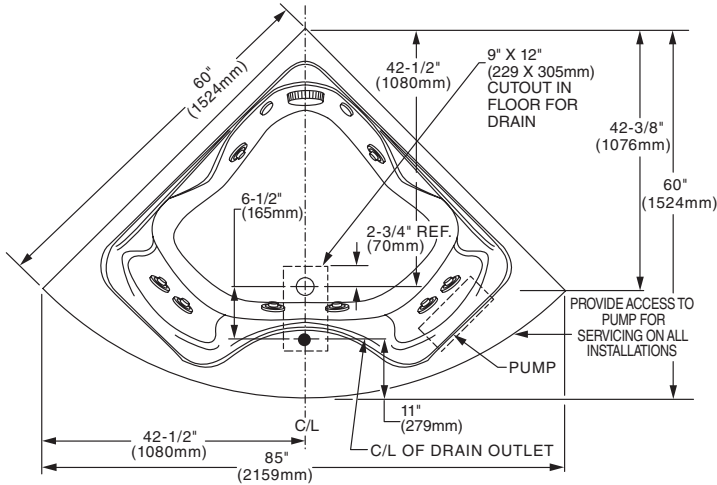
5' x 32" IA-RHO (MODEL 2425L/V-RHO) - shown
5' x 32" IA-LHO (MODEL 2425L/V-LHO)



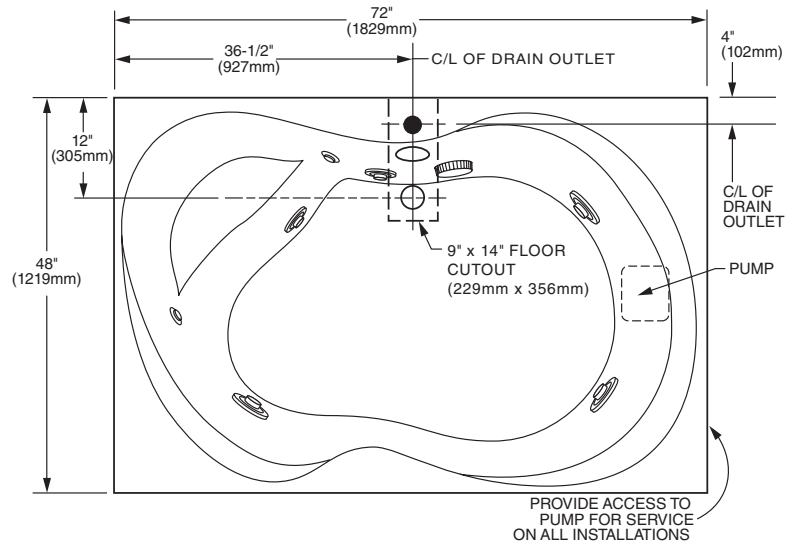
DIMENSIONS OF FIXTURES ARE NOMINAL AND MAY VARY WITHIN THE RANGE OF TOLERANCES ESTABLISHED BY ANSI STANDARDS Z124.1 AND A112.19.7.

ROUGHING-IN REFERENCES

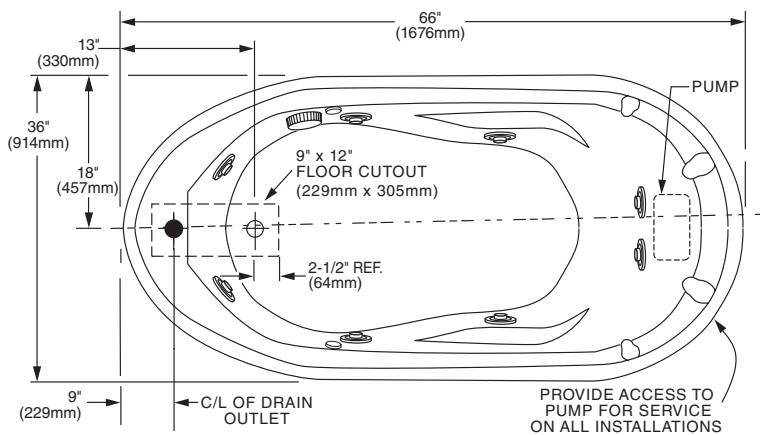
CADET CORNER (MODEL 2775L)



ELLISSE 4" x 48" (MODEL 2711L)



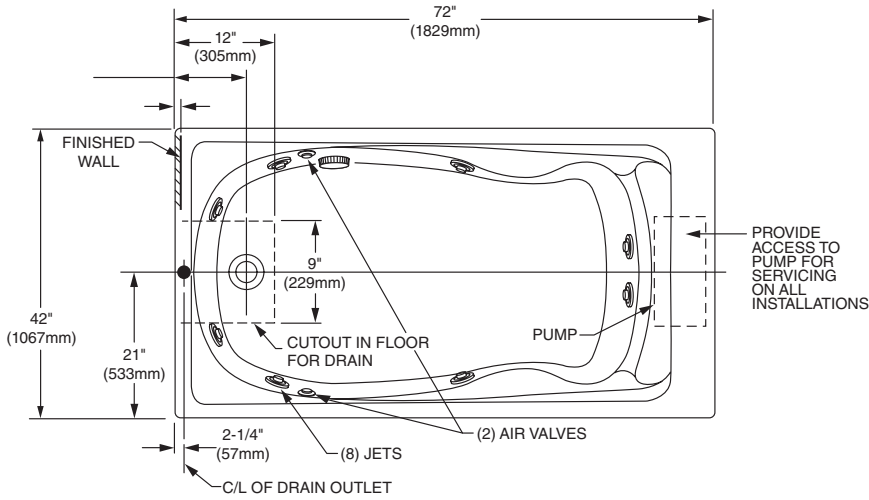
REMINISCE (MODEL 2908L)



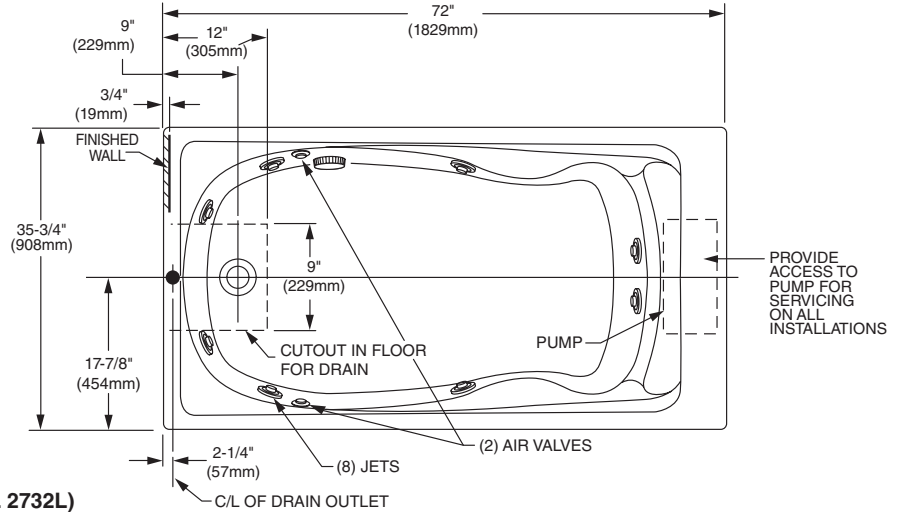
DIMENSIONS OF FIXTURES ARE NOMINAL AND MAY VARY WITHIN THE RANGE OF TOLERANCES ESTABLISHED BY ANSI STANDARDS Z124.1 AND A112.19.7.

ROUGHING-IN REFERENCES

CADET 6' x 42" (MODEL 2774L)

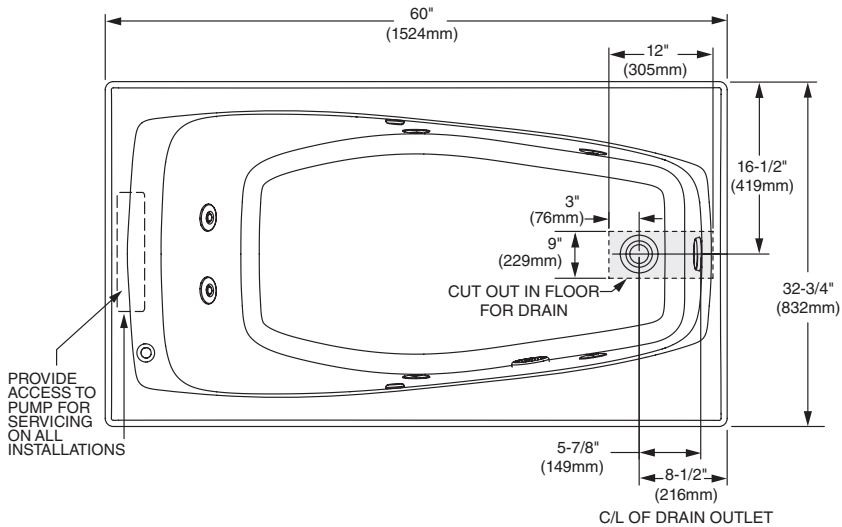


CADET 6' x 36" (MODEL 2773L)



5' x 32" (MODEL 2732L)

(Note: Deck Mounted fittings are not recommended)



DIMENSIONS OF FIXTURES ARE NOMINAL AND MAY VARY WITHIN THE RANGE OF TOLERANCES ESTABLISHED BY ANSI STANDARDS Z124.1 AND A112.19.7.

INSTALLATION AND FRAMING INSTRUCTIONS

The variety of installations possible for this whirlpool may require framing procedures other than those shown. Locate studs as needed. Ensure roughing-in dimensions are proper, plumb and square. Provisions must be made in all installations for an access opening for servicing the pump and controls. It is strongly recommended that an additional opening be provided for access to the drain components. The apron should not be used as the primary access opening.

1. Position the whirlpool into the installation opening and level the deck in both directions, shimming the integral support feet IF necessary. Mark the final position of the underside of the deck by tracing a line on to the studs (see Figure 1).
2. Remove the whirlpool and attach a 1 x 4 stringer to the studs, with the top of the stringer touching the traced line.

! The rim of the bath **must not** support weight.

3. Install drain components to the whirlpool following the drain installation instructions. Before replacing your whirlpool for final installation, be certain that an opening has been provided in the sub-floor for the drain. See the roughing-in drawing and Table 1 for suggested opening size (shadowed) and location dimensions. The drain/overflow of the bath extends below the bottom of the bath. Note that this requires a cutout in the floor.

! The floor structure beneath the bath must be able to support a total weight of bath, water, and bather. Refer to Table 1 under total weight for your model.

For Models: 2425L/V-LHO and 2425L/V-RHO, 2732L;

This bath must be supported along its entire bottom. Use mortar as bedding material (do not use sand or foam). Apply enough mortar to support the complete bottom of the bath. After the mortar has been poured, and before it sets, position whirlpool or bath within recess until the rim is leveled against the leveling stringers (see "Typical Recess Installation") shown below.

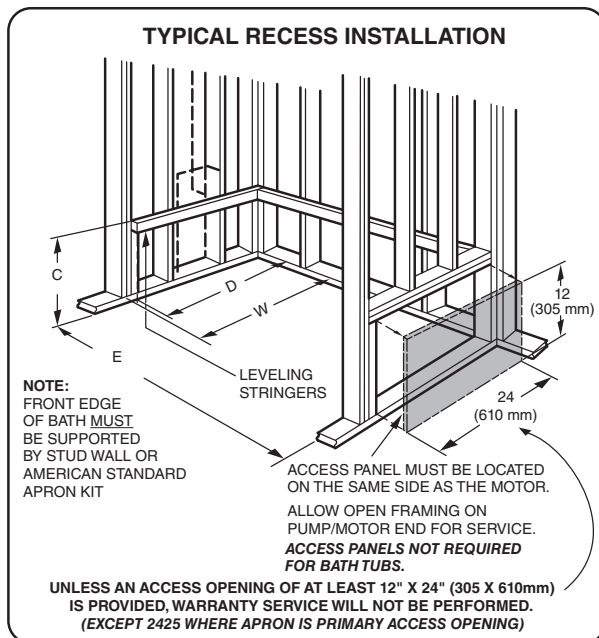
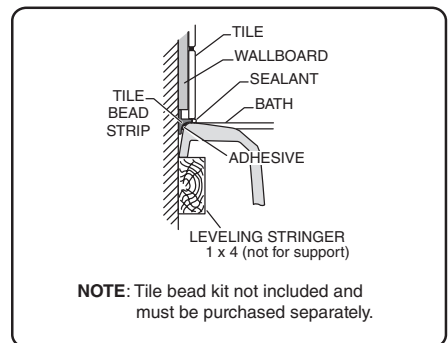
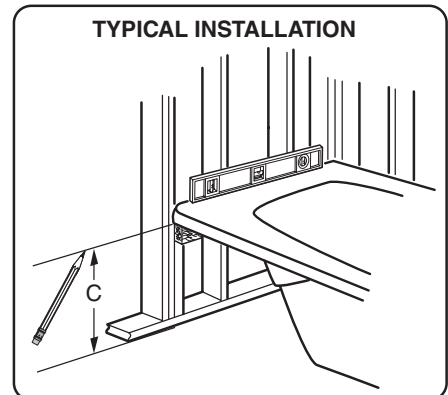
! The rim of the bath **must not** support weight. Allow the mortar material to completely harden before applying weight to the rim or bottom of the bath. Any finish material such as tile or wall board must be self-supporting if it contacts the deck of the bath.

For Models: 2645L/V, 2771L/V, 2773L/V, 2774L/V, 2775L/V, 2422L/V, 2711L/V, 2908L/V, 6060L/V and 7236L/V;

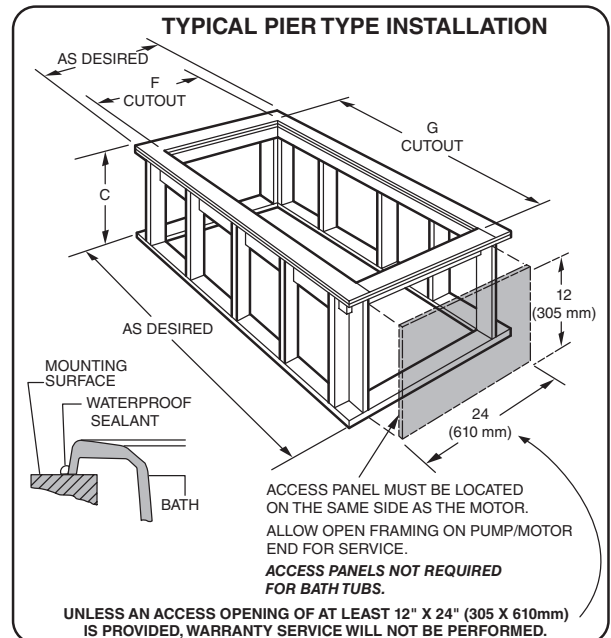
Replace whirlpool and re-shim the integral support feet, shimming the entire length of the support feet. Secure the shims using construction adhesive, silicone, mortar or equivalent materials. While not a necessity, the use of a foundation base consisting of cement, mortar, or grout will help provide a solid and secure installation.

! The rim of the bath **must not** support weight. If foundation base is used, allow the bedding material to completely harden before applying weight to the rim or bottom of the bath. Any finish material such as tile or wall board must be self-supporting if it contacts the deck of the bath.

FIGURE 1



FOR E & D DIMENSIONS SEE TABLE 1 ON PAGE 5.

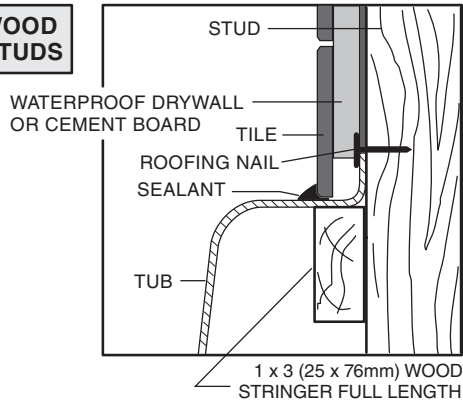


FOR G & F DIMENSIONS SEE TABLE 1 ON PAGE 5.

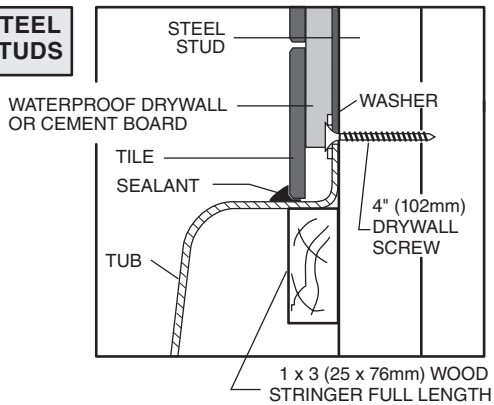
TYPICAL FLANGE MOUNTING DETAIL

SUGGESTED WHIRLPOOL / BATH INSTALLATION METHOD

WOOD STUDS

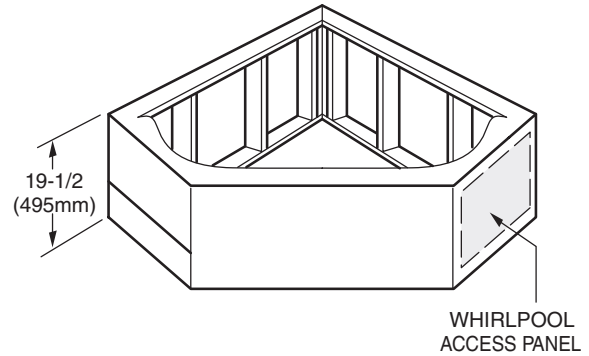


STEEL STUDS



SECURE THE BATH TO THE STUDS AS SHOWN FOR WOOD OR STEEL STUD CONSTRUCTION.

TYPICAL INSTALLATION - CORNER



* SEE CUTOUT TEMPLATE PROVIDED

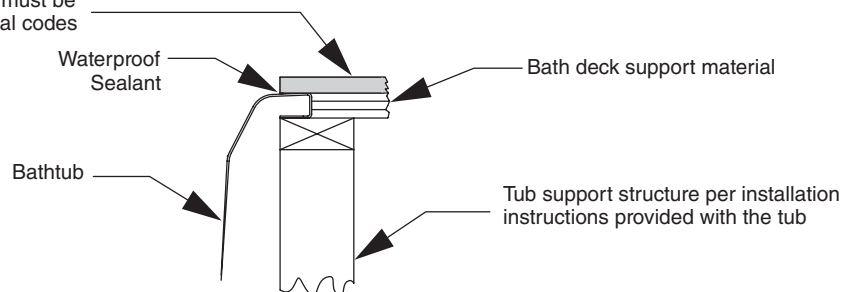
UNLESS AN ACCESS OPENING OF AT LEAST 12" x 24" (305 x 610mm) IS PROVIDED, WARRANTY SERVICE WILL NOT BE PERFORMED.

UNDER DECK MOUNTING INSTRUCTIONS

Please note that care must be taken to protect the surface of the tub during all aspects of the installation. Do not drill or cut the bath deck with the tub directly beneath it as damage to the tub may result.

1. Install the tub per the installation instructions provided with the unit.
2. Prepare the bath deck support structure per the local codes. Note - the bath deck must be self supporting.
3. Cut bath deck to your specifications.
4. Place the bath deck in position and trace the opening on the tub with a soft pencil. Do not drill or cut the bath deck with the tub directly beneath it as damage to the tub may result.
5. Remove the bath deck and apply a generous bead of waterproof sealant on the outer edge of the traced line.
6. Replace the bath deck and secure it into place.
7. Apply additional sealant along the tub and bath deck interface as necessary to ensure a watertight seal.
8. Remove excess sealant per the manufacturer's instructions.

Finished bath deck surface material must be self-supporting and secured per local codes



WHIRLPOOL ELECTRICAL INSTALLATION INSTRUCTIONS

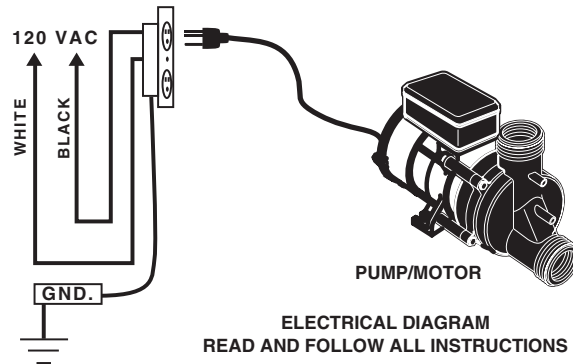
All wiring must be performed by a licensed electrician in accordance with the national electrical code and all other applicable codes.

⚠ WARNING: When using electrical products, basic precautions should always be observed, including the following:

1. **DANGER: RISK OF ELECTRIC SHOCK!** Connect only to a circuit protected by a ground-fault circuit interrupter.
2. Grounding is required. The unit should be installed by a licensed electrician and grounded.
3. Permit access for servicing motor as noted.
4. All building materials and wiring should be routed away from the pump body and heater (if equipped).

PLEASE SEE THE FOLLOWING TABLE FOR GFCI CIRCUIT REQUIREMENTS:

| GFCI CIRCUIT REQUIREMENTS: | FOR MODEL NUMBERS: |
|---|--|
| <p>The whirlpool should be installed on a 120 vac, 15 amp dedicated GFCI circuit.</p> <p>The circuit should be hard-wired from the electrical power supply panel. The circuit must be a three (3) wire circuit from the electrical supply panel. A grounded neutral wire and a third wire, earth ground, are essential.</p> <p>Optional heater requires a separate 15 amp maximum GFCI circuit.</p> | <p>2422, 2425, 2645, 2732 2771, 2908 ALL MODELS</p> |
| <p>The whirlpool should be installed on a 120 vac, 20 amp dedicated GFCI circuit.</p> <p>The circuit should be hard-wired from the electrical power supply panel. The circuit must be a three (3) wire circuit from the electrical supply panel. A grounded neutral wire and a third wire, earth ground, are essential.</p> <p>Optional heater requires a separate 15 amp maximum GFCI circuit.</p> | <p>6060, 2775, 2773, 2711, 2774, 7236 ALL MODELS</p> |



WIRE SELECTION GUIDE

| Wire Length | Maximum distance from fusebox to motor | | | |
|-----------------|--|------|------|------|
| | 50' | 100' | 150' | 200' |
| 115V Power Line | | | | |
| Wire Size (AWG) | 12 | 10 | 8 | 8 |

The sizes shown on this chart are recommendations for copper conductors only. Always follow local and national electrical codes

For 6060LC/VC Corner Only

OPERATION

WARNING: Prior to operation, review the Important Safety Instructions listed at the beginning of this instruction manual.

Once the heater is installed and the whirlpool pump is operating, the heater is totally automatic. The heater will help maintain the temperature of the water in the bath.

Pressure Switch

The heater is equipped with a preset pressure switch. The pump must be running with water flowing in the whirlpool to allow the heater to turn on.

Indicator Light

This light turns on whenever the heater is operating.

High-Limit Switch

The heater includes an exclusive "Intelligent High-Limit". This safety circuit will not "false trip" from hot tap water. It will only turn the heater off if the thermostat fails. If the high-limit trips frequently, call a service technician.

To manually reset the circuit in the event that the "High-Limit" switch has been activated, simply (1) Turn off the whirlpool pump. (2) Drain water from the tub. (3) Remove power from heater by unplugging at receptacle or turning off circuit breaker. (4) The heater circuit will automatically reset in less than 15 minutes. (5) Restore power to the heater. (6) Whirlpool bath is now ready to use.

ELECTRICAL CONNECTIONS

Install a separate 120VAC / 15AMP dedicated circuit with GFCI (Ground Fault Circuit Interrupter) protection.

At initial start-up with power ON, push the GFCI test button. The reset button should pop out. Push this button in to reset. If the GFCI fails to operate in this manner, there is a ground fault or malfunction, indicating the possibility of electrical shock. **Turn off the power and do not use the bath until the source of the problem has been identified and corrected.**

1. Route two separate branch circuits to the junction box near the whirlpool as shown in Figure 2. Each branch circuit **MUST BE GFCI PROTECTED** and must use copper conductors only.
2. Ensure the heater and pump are properly **GROUND**ED and **BONDED** as required. Attach the 8 AWG solid copper conductor supplied with the heater from the heater bonding lug to the motor frame bonding lug as shown in Figure 3. The conductor is secured to the lugs using set screws. The motor frame shall have a second 8 AWG solid copper conductor connected from the frame bonding lug to the homes electrical panel or approved local bonding point as shown in Figure 3.

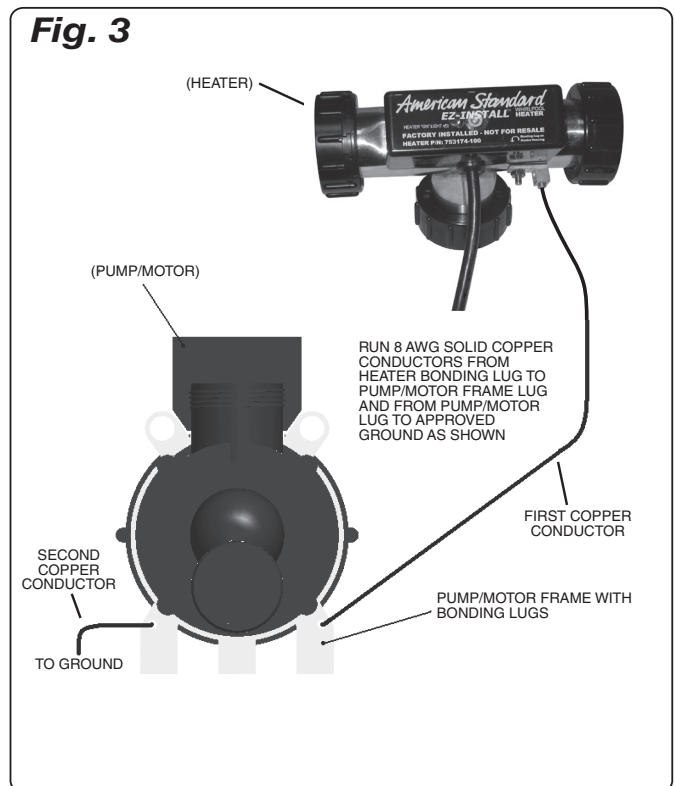
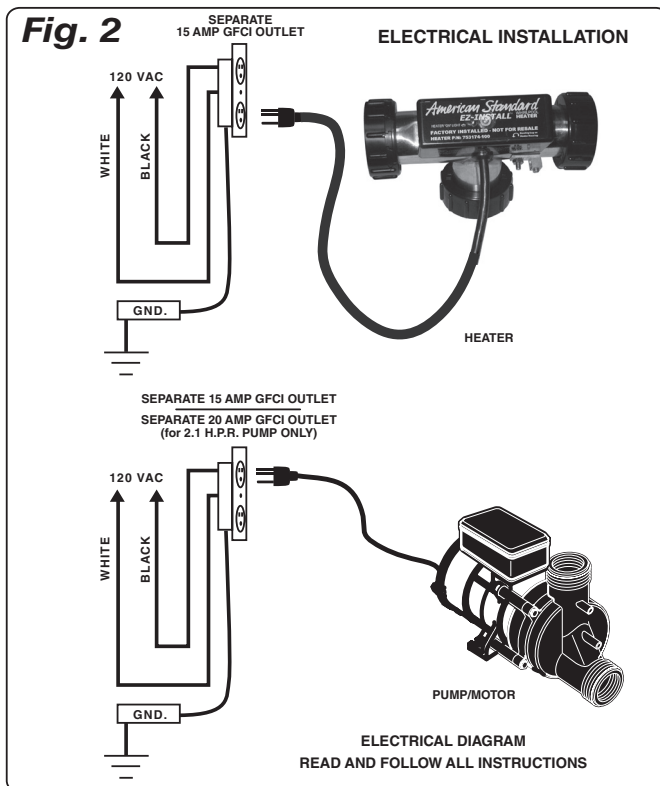
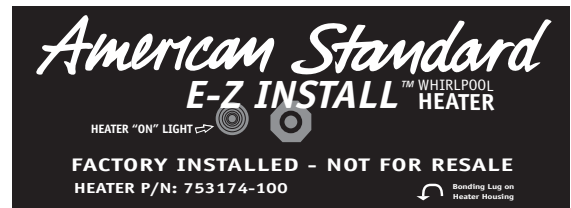


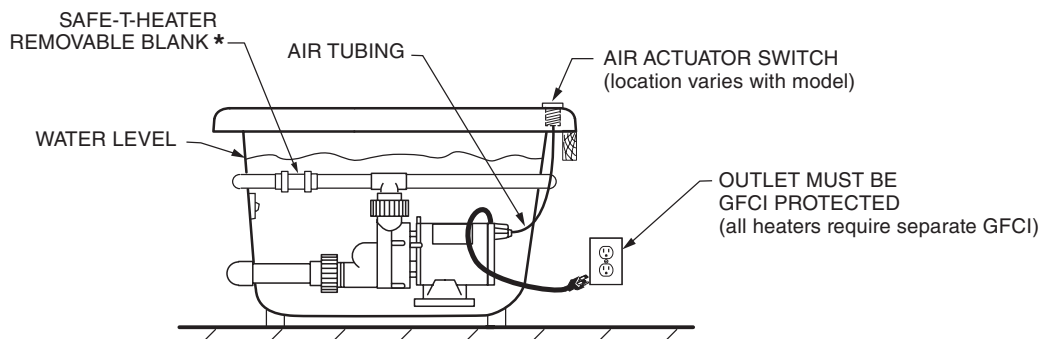
Fig. 1



OPERATION:

NOTE: Each whirlpool is shipped from the factory with an air actuator on/off switch and pump with attached power supply cord. **OPERATING THE SYSTEM WITHOUT WATER (DRY RUNNING) WILL CAUSE PUMP DAMAGE AND VOID THE WARRANTY.** Always fill the whirlpool before operating the pump. The air switch is mounted either on the deck or side wall of the tub.

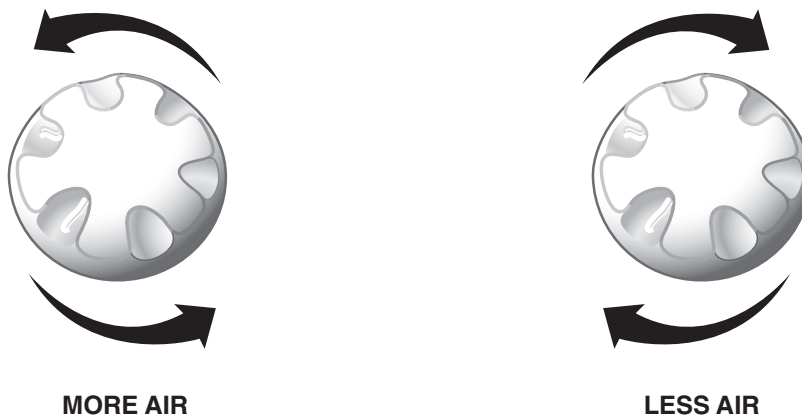
1. **Fill the Whirlpool:** Water level must be at least one inch (25mm) above the highest jet for proper operation. (See diagram below.)
Do not fill whirlpool more than 2/3 full prior to the user completely immersing themselves into unit.
2. **Start Whirlpool:** Push on center of button. Button will depress and whirlpool will start.
3. **Stop Whirlpool:** Depress and release button and whirlpool will stop.



* 6060L/V includes factory installed heater

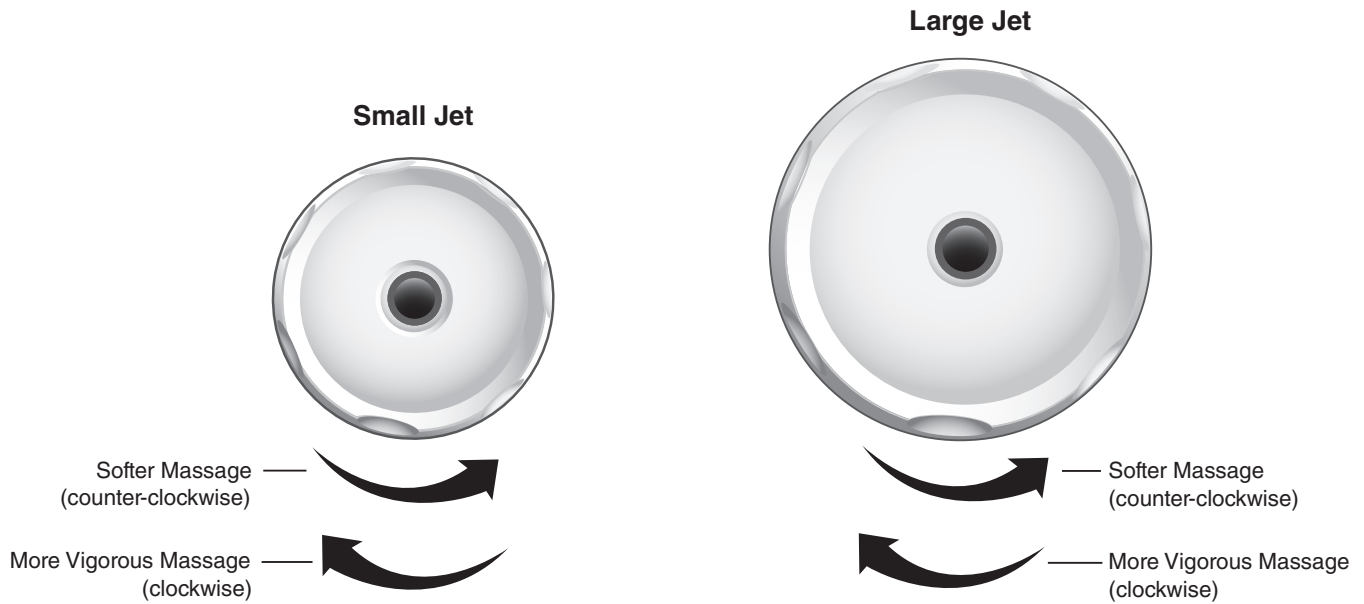
4. **Air Volume Control Adjustments:** Water turbulence is determined by the amount of air mixed with the water. Rotate the air volume control counterclockwise for more turbulence--clockwise for less.

Air Volume Control Adjustments:



Adjustable Flow Clean Jet™: The water flow action may be adjusted from vigorous to soft by rotating the nozzle clockwise for vigorous massage and counter-clockwise for soft massage.

NOTE: You may balance the air volume control and nozzle adjustment for the most desirable condition.



Lifetime™ Drain Model 1599 (required on Models 7236L/V, 2422L/V, 2425L/V, 2771L/V)

Overflow:

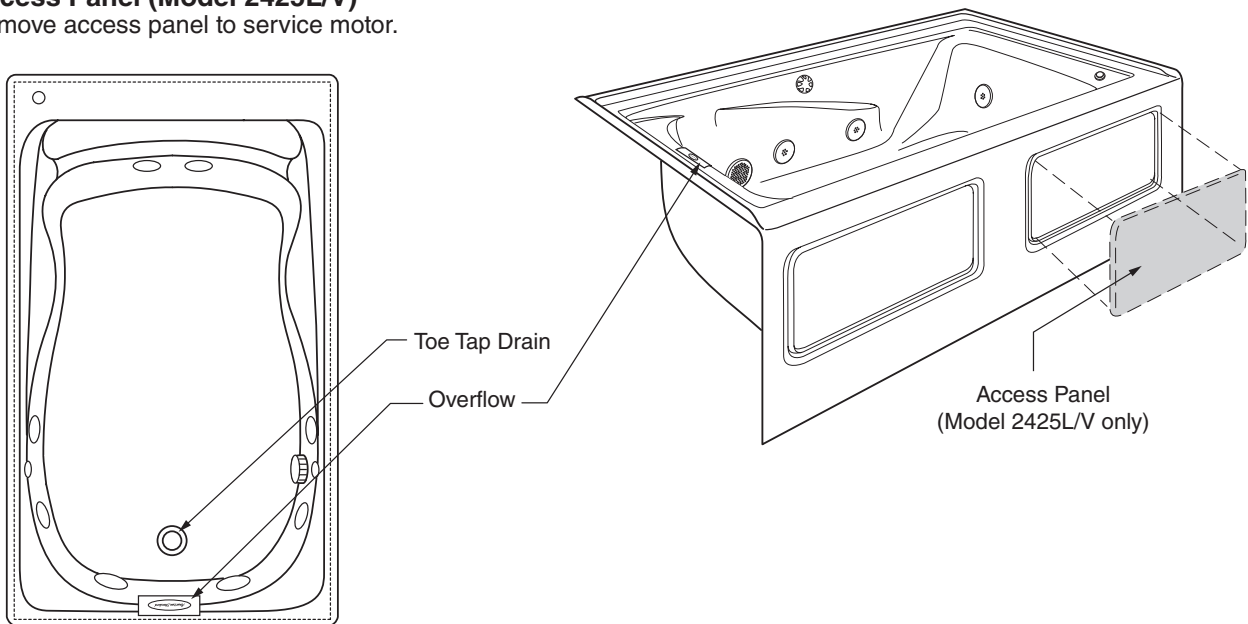
Partially fill tub, then enter tub before completely filling to prevent overflow.

Toe Tap Drain:

Depress drain cap to open or close drain.

Access Panel (Model 2425L/V)

Remove access panel to service motor.



DRAIN CONNECTION AND SYSTEM TEST

Using recommended drain assembly, connect whirlpool drain to waste line in accordance with the drain assembly instructions. Tighten all drain joints securely. Check the pump couplings and make sure they are hand-tight. Clean the whirlpool and fill with water to a point 2" above the top of the highest jet. Recheck the pump couplings and make certain that they are not leaking. (Although the pump couplings are factory tightened and inspected, some loosening may have occurred during transit.) Make sure the whirlpool is connected to the electrical supply and turn the whirlpool on. Check for leaks around all piping connections while the whirlpool is running.

POST INSTALLATION CLEAN-UP

Remove all construction debris from bath. Tile grout can be removed with a wooden popsicle stick or tongue depressor. Do not use wire brushes or any other metal implement on bath surface.

Post installation clean-up generally can be completed using warm water and liquid dishwashing detergent. Stubborn dirt or stains may be removed using granular Spic and Span[®] mixed with water.

Painter's naphtha can be used to remove excess adhesives and/or wet oil-base paint.

AFTERCARE and CLEANING

- The high gloss surface is resistant to impact and chemicals and will retain its lasting luster with proper care and maintenance.
- Always fill the tub with temperate water. Excessively hot water may cause surface damage
- Remove bath mat after use and hang to dry. Allowing bath mat to dry in the tub may cause surface damage.
- Clean after use with a mild liquid household detergent cleaner. Do not use Lestoil, Lysol Disinfectant (spray or concentrate), or Lysol Basin, Tub and Tile Cleaner, Windex, Mr. Clean, Dow Disinfectant Bathroom Cleaner, or cleaning products in aerosol cans.

HARSH CHEMICALS SHOULD NEVER BE USED ON ACRYLIC SURFACES.

- Do not use wire brushes, knives or sharp objects to remove stains, cigarette tar deposits, or other surface blemishes.
- Abrasive cleaners or powders must not be used, since they will dull the surface. If the glossy surface loses its sheen, dulled areas can be restored by rubbing with a white "automotive type" polishing compound and waxing with a "liquid wax."
- **Do not wax areas where you walk or stand.**
- Do not allow nail polish remover, acetone, dry cleaning fluid, paint remover or other solvents to come into contact with the surface.
- Clean the surrounding surface immediately after using caustic drain cleaners.
- Burning cigarettes will damage the surface.
- Should damage to the fixture occur, repairs can be made quickly and easily. Your distributor or builder can provide details.
- Do not permit drain cleaner to enter the circulation system.

CIRCULATION SYSTEM CLEANING-PURGING PROCEDURES

STEP 1. Once every month purge and clean the circulating system. Fill whirlpool with warm water and add two teaspoons of dishwasher detergent and one-half cup of house hold bleach.

STEP 2. Activate whirlpool system in accordance with operating instructions or two minutes.

STEP 3. Drain and refill whirlpool with cool water and circulate for additional five minutes.

STEP 4. Drain whirlpool completely.

**AS AMERICA, INC. (AMERICAN STANDARD) LIMITED LIFETIME WARRANTY
FOR EVERCLEAN® / EVOLUTION® ACRYLIC WHIRLPOOLS**

AS America ("American Standard") warrants to the original consumer purchaser that it will, at its option, repair or replace this whirlpool or any of its parts that are found by American Standard, in its sole judgment, to be defective under normal residential use and maintenance so long as it is owned by the original consumer purchaser.

THIS WARRANTY SHALL BE VOID IF THE ACCESS PANEL TO THE WHIRLPOOL IS COVERED IN ANY MANNER CONTRARY TO THE INSTALLATION INSTRUCTIONS. In no event will American Standard be liable for the cost of repair or replacement of any installation materials including but not limited to tiles, marble etc.

This limited warranty DOES NOT COVER the following:

1. Defects or damages arising from shipping, installation, alterations, accidents, abuse, misuse, lack of proper maintenance and cleaning as directed in the owner's manual and use of other than genuine American Standard replacement parts, in all cases whether caused by a plumbing contractor, service company, the owner or any other person.
2. Deterioration through normal wear and tear and the expense of normal maintenance.
3. Commercial application.
4. Options and accessories. American Standard's limited warranty on these items is one year for parts only and excludes labor. This one year limited warranty covers accessories manufactured by American Standard (e.g. aprons, drains, grab bars, heaters, trim kits) against defects of material or workmanship. Warranty coverage begins on the date the accessory was originally purchased by the owner.
5. Postage or shipping costs for returning products for repairs or replacement under this limited warranty and labor or other costs incurred in connection with product removal or installation under this limited warranty.
6. ANY LIABILITY FOR CONSEQUENTIAL OR INCIDENTAL DAMAGES, ALL OF WHICH ARE HEREBY EXPRESSLY DISCLAIMED, OR THE EXTENSION BEYOND THE DURATION OF THIS LIMITED WARRANTY OF ANY IMPLIED WARRANTIES, INCLUDING THOSE OF MERCHANTABILITY OR FITNESS FOR AN INTENDED PURPOSE. (Some jurisdictions do not allow limitations on how long an implied warranty lasts, or the exclusion or limitation of incidental or consequential damages, so these limitations and exclusions may not apply to you.)
7. Responsibility for compliance with local code requirements. (Since local code requirements vary greatly distributors, retailers, dealers, installation contractors and users of plumbing products should determine whether there are any code restrictions on the installation or use of a specific product.)

This warranty gives you specific legal rights. You may have other legal rights that vary from state to state. For service under this warranty, you should contact the following:

By Mail: American Standard Inc.
P.O. Box 6820
Piscataway, N.J. 08855
Attention: Customer Care Center

By Telephone:
1-800-442-1902

**AS AMERICA, INC. (AMERICAN STANDARD) ONE YEAR LIMITED WARRANTY
FOR E-Z INSTALL WHIRLPOOL HEATER**

If inspection of this AS American, Inc. ("American Standard") plumbing product, within one year after its initial purchase, confirms that it is defective in materials or workmanship, American Standard will repair or, at its option, exchange the product for a similar model.

This warranty applies only to the original purchaser and installation of these products.

This limited warranty **does not apply** to local building code compliance. Since local building codes vary considerably, the purchaser of this product should check with a local building or plumbing contractor to ensure local code compliance before installation.

This warranty **shall be void** if the product has been moved from its initial place of installation; if it has been subjected to faulty maintenance, abuse, misuse, accident or other damages; if it was not installed in accordance with American Standard's instructions; or if it has been modified in a manner inconsistent with the product as shipped by American Standard.

American Standard's option to repair or exchange the product under this warranty does not cover any labor or other costs of removal or installation, **nor shall American Standard be responsible for any other incidental or consequential damages attributable to a product defect or to the repair or exchange of a defective product, all of which are expressly excluded from this warranty.** (Some states or provinces do not allow the exclusion or limitation of implied warranties, so this exclusion may not apply to you.)

This warranty gives you specific legal rights. You may have other statutory rights that vary from state to state or from province to province, in which case this warranty does not affect such statutory rights.

For service under these warranties, it is suggested that a claim be made through the contractor or dealer from or through whom the product was purchased, or that a service request (including a description of the product model and of the defect) be sent to:

By Mail: American Standard Inc.
P.O. Box 6820
Piscataway, N.J. 08855
Attention: Customer Care Center

By Telephone:
1-800-442-1902

SERVICE: For service or repair contact the number below. The model number and serial number for your whirlpool are located on a label near the motor.



HOTLINE FOR HELP

For toll-free information and answers to your questions, call 1 (800) 442-1902
weekdays: 8:00 a.m. to 5:00 p.m. Eastern Time

Product names listed herein are trademarks of AS America, Inc.
© AS America, Inc. 2008