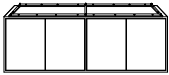




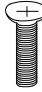
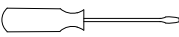
ASSEMBLY INSTRUCTIONS

CVFNR5025

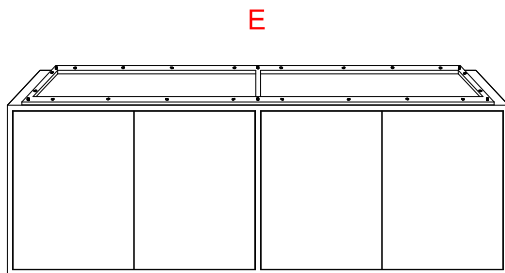
PARTS

S.NO.	DESCRIPTION	QTY.
E	 BASE	1
F	 LEG 1/2/3/4/5/6	6

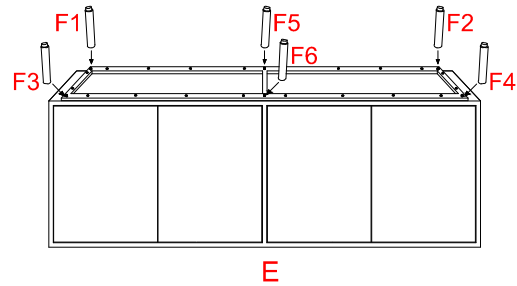
HARDWARE

S.NO.	DESCRIPTION	QTY.
A	 HANDLE 1/2/3/4	4
B	 SCREW	8
C	 SCREW DRIVER	1

STEP-1

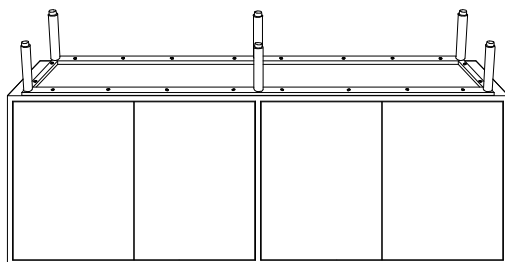


STEP-2

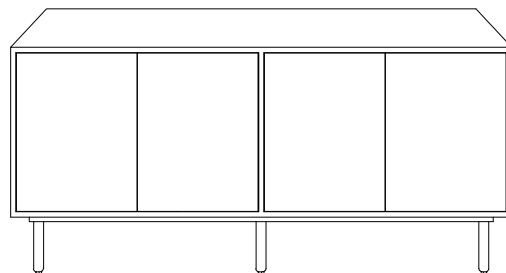


Note: Twist all legs until tightly

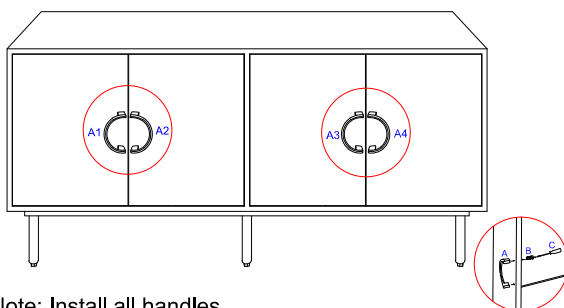
STEP-3



STEP-4

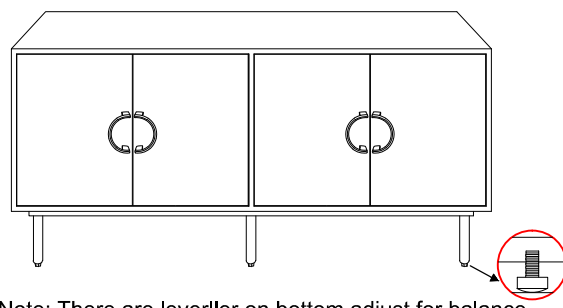


STEP-5



Note: Install all handles

STEP-6



Note: There are leverller on bottom adjust for balance