

For Wall Mount Fixture

**WARNING! SHUT POWER OFF AT FUSE OR CIRCUIT BREAKER .
AVERTISSEMENT! COUPER LE COURANT AU NIVEAU DES FUSIBLES OU DU DISJONCTEUR.**

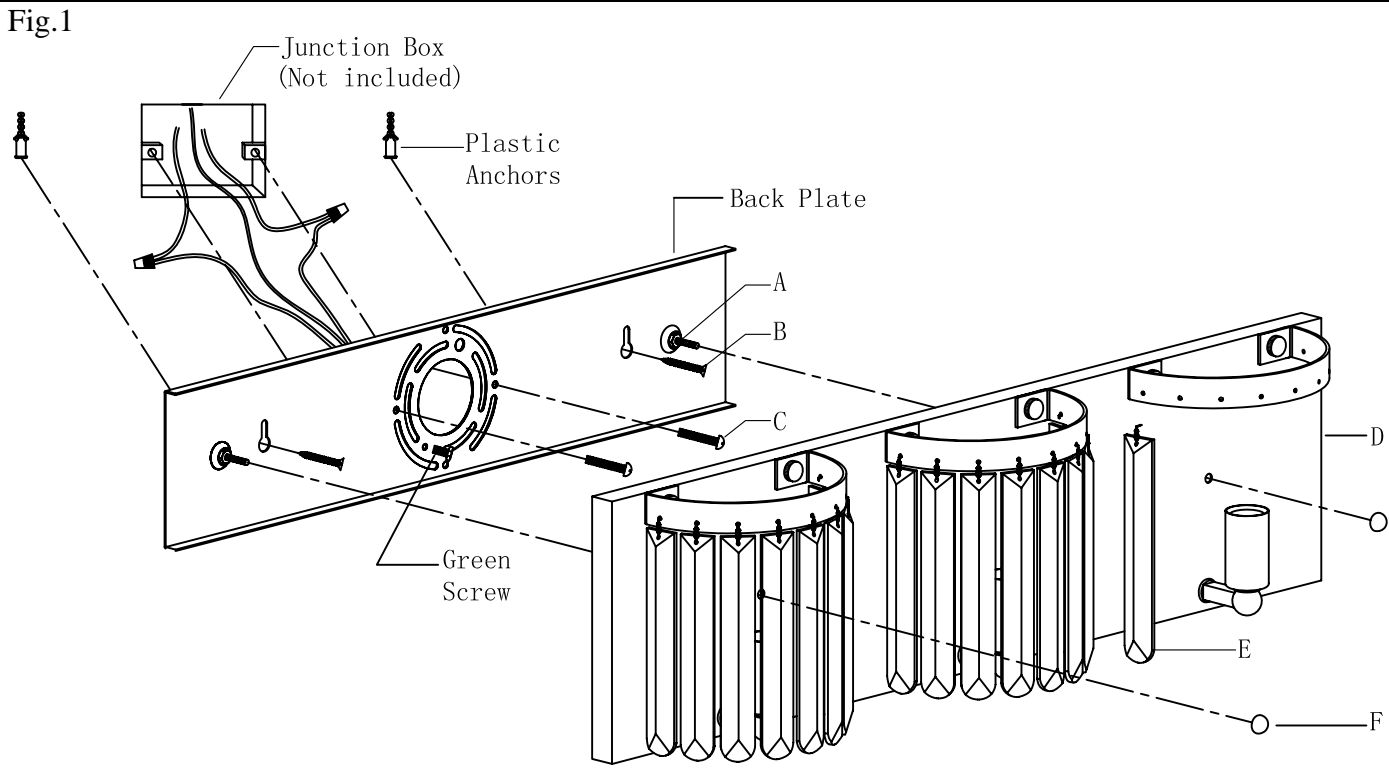
MOUNTING THE FIXTURE

INSTALLATION(Fig.1)

1. Disconnect power at main electrical panel before installation.
2. Thread back plate studs (A) onto back plate, make sure back plate is plumb, mark location for plastic wall anchors.
3. Mount the back plate to the wall with the plastic anchors, the wood screws (B) and the two junction box screws (C). The side of the back plate marked "GND" must face out.
The junction box is not included.
4. Guide fixture wires through hole in center of back plate.
5. Follow wiring instructions carefully (see fig.2)
6. Mount the fixture body (D) onto the back plate by aligning mounting holes in fixture body with mounting screws (A) and ball nuts (F).
7. Hang the crystals (E) to the hole of the fixture body (D).
8. Install the light bulbs (not included) in accordance with the fixture's specifications: **DO NOT EXCEED THE MAXIMUM WATTAGE RATING! (NE PAS DEPASSER LA PUISSANCE NOMINALE MAXIMALE!)**

WIRING (Fig.2)

1. Connect the electrical wires as follows. Connect the black wire from the fixture to the black house (hot) wire. Connect the white wire from the fixture to the white (neutral) house wire. Make sure all wire nuts are secured. You may wrap the connections with electrical tape. If your junction box has a ground wire (green or bare copper) connect fixture's ground wire to it. Otherwise attach the bare copper fixture wire to the green ground screw on the mounting plate.
2. Tuck the wire connections neatly into the wall junction box.



The figure is only for reference.

Fig.2

