

701 E Industrial PK Dr  
 Manchester NH 03109  
 877-364-8464  
 www.sunsettrading.com  
 info@sunsettrading.com

\*\*Pls Check to make sure you have all parts otherwise contact local retailer or Sunset Trading customer service at 877-364-8464"

Thank You for purchasing this Quality product. It has been engineered for easy assembly yet constructed for durability. Please take the time to read and follow the instruction while assembling.

# ASSEMBLY INSTRUCTION

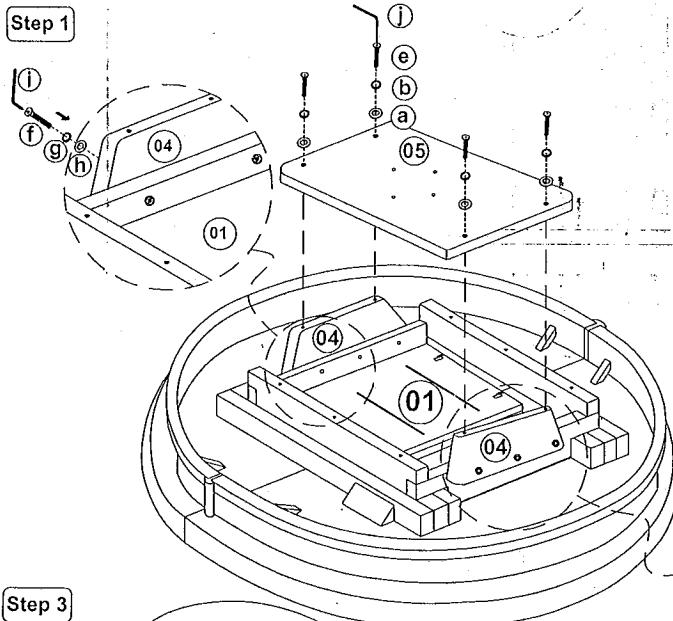
Round Pedestal Butterfly Table  
 47" x 48" L x 66" L x 30" H

Model : DLU-ADW-TPB-4866 (TCVEB-1)

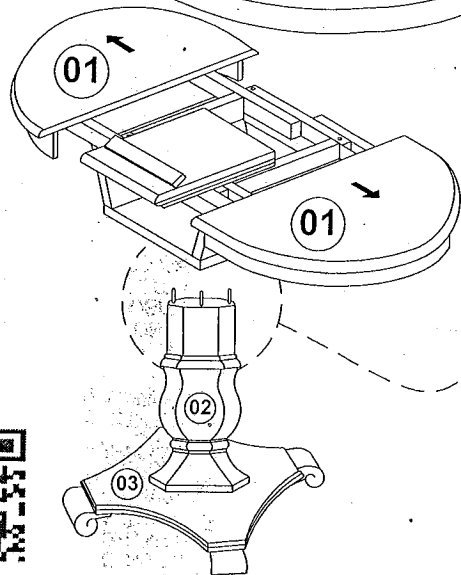
Sunset Trading®

a div of Sunset Furniture Intl.LLC

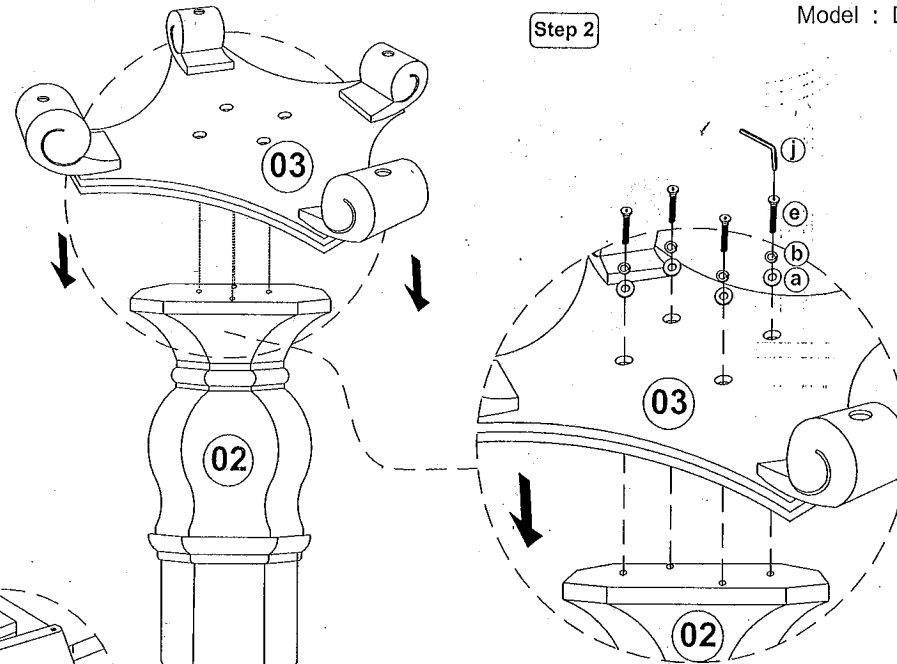
Step 1



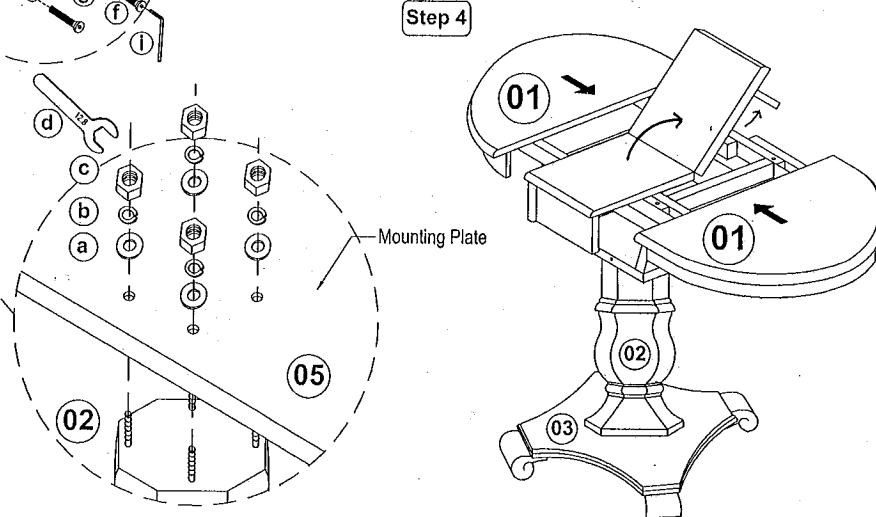
Step 3



Step 2



Step 4



List of Part For 1 Set

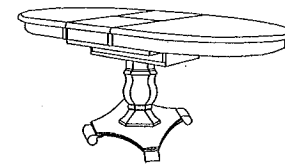
01		Table Top
02		Pedestal
03		Bottom Panel
04		Supporting Rail
05		Mounting Plate

List of hardware For 1 Set

a		Flat Washer 5/16" x 22mm
b		Spring Washer 5/16"
c		Hexagon Nut 5/16" x 7mm
d		Spanner 12.8mm
e		JCBC Bolt M8 x 40mm
f		JCBC Bolt M6 x 40mm
g		Spring Washer 3/4"
h		Flat Washer 1/2" x 13mm
i		Allen Key M4
j		Allen Key M5

⚠ Important Notes

- \* Keep all hardware parts out of reach of children.
- \* Must tighten screws periodically. With use screws will become loose. Check tightness of all screws every 6-8 weeks.
- \* Don't attempt to repair or modify parts that are broken or defective. Please contact the store immediately.
- \* Do not tighten all screw / bolt until all completely assembled



MADE IN MALAYSIA Assembly Completed

