

LED Product Information and Warnings

Important

- **Always disconnect the power before installing or replacing bulbs and before cleaning or other maintenance.**
- **Consult a qualified, licensed electrician to ensure correct branch circuit conductor.**
- Please read all included assembly instructions and warnings carefully before installation. Contact Customer Service if you have any questions or concerns. Before installation, please confirm that the fixture is compatible with your supply voltage and dimming system, if present.
- LEDs are highly sensitive electronic devices, and must be treated with care. Do not open any factory sealed compartments, and avoid touching the LEDs with your hands or any object.
- Although all our fixtures are equipped with protective devices, LED fixtures are vulnerable to power surges and supply variations. Do not install LED fixtures on the same circuit as any motors, appliances, or HVAC systems.
- Do not remove or bypass any LED Driver or Transformer that is provided with the fixture, and do not replace or substitute with another power supply.
- Remote LED Driver or Transformer installation must be done by a licensed electrician and in accordance with local codes. Remote installations should be in an accessible location, as close to the fixture as possible.
- Fixtures must be wired in parallel on independent leads; do not "daisy chain" multiple fixtures together or wire them in series.
- All factory-made splices and connections must remain intact. LED circuits are carefully designed and built, and improper connections may damage the fixture.
- The ends of coaxial pendant cords have been precisely stripped and split at the factory and must not be field cut. Excess cord or cable should be neatly coiled and reserved in the fixture canopy.
- Any mounting hardware is provided for your convenience and should be used with discretion. Always use the appropriate hardware for the mounting surface.

Assembly Instructions

INSTRUCTIONS D'INSTALLATION

Box Series - 16" LED Bollard, 22" LED Bollard, 28" LED Bollard

16" LED Double Bollard, 22" LED Double Bollard, 28" LED Double Bollard

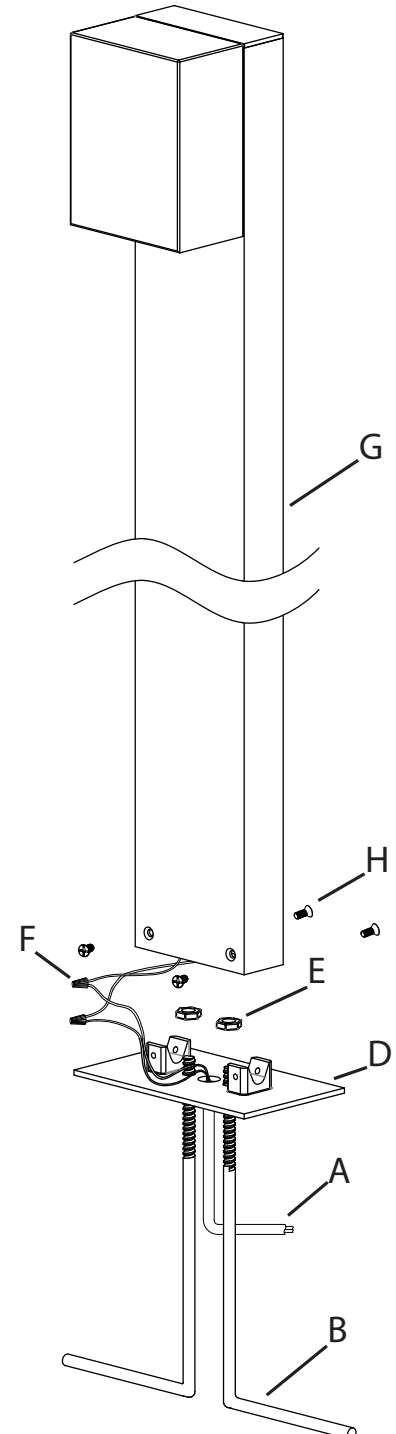
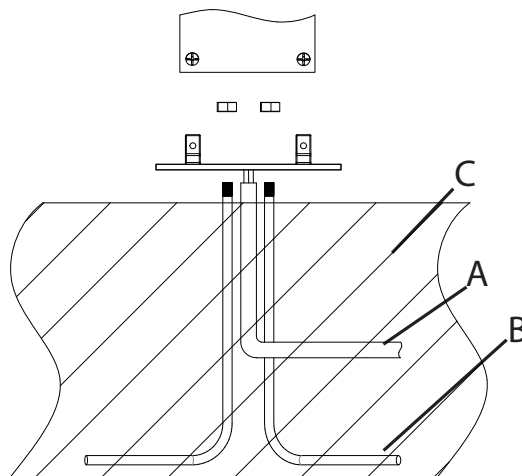
7341, 7342, 7343

7345, 7346, 7347

Important

- Always disconnect the power before installing or replacing bulbs and before cleaning or other maintenance.
- Consult a qualified, licensed electrician to ensure correct branch circuit conductor.
Consulter un électricien qualifié pour vous assurer que les conducteurs de la dérivation sont adéquats.

1. Shut off power to the branch circuit conductor.
2. Install a 12VAC output magnetic transformer in an accessible location, and run low voltage outdoor power cable (A) from the transformer to the desired bollard location in accordance with local codes. To avoid excessive voltage drop, you must use power cable with appropriate wire gauge for the distance and load of your system. The bollards can accept an input voltage from 10 to 15VAC.
3. **For Concrete Mounting:** Using the provided temporary template (Fig. 1), cast the anchor bolts (B) and low voltage outdoor power cable (A) into a concrete footing (C). Arrange the anchor bolts so at least 1/2" of threaded and no unthreaded length is exposed above the concrete. Arrange the power cable so that it is in the center of the template, with at least 6" of cable exposed above the concrete.
4. **For Concrete Mounting:** Once the concrete (C) has fully cured, remove and discard the template.
5. **For Concrete Mounting:** Place mounting plate (D) over the anchor bolts (B) and power cable (A). Secure with mounting nuts (E).
For Wood Mounting: Place mounting plate (D) over the power cable (A) and secure with lag screws (not included).
6. Make appropriate electrical connections using outdoor wire nuts (F):
 - a. Connect one of the power cable (A) conductors to one of the fixture's input conductors.
 - b. Connect the other power cable (A) conductor to the fixture's other input conductor.
 - c. Carefully place the conductors and connections into the post (G).
7. Place the post (G) over the mounting plate (D). Secure with mounting screws (H).
8. Restore power to the fixture.



Note

- This fixture is not dimmable.

Care Instructions

- **Dusting:** Use a clean, dry cloth.
- **Cleaning:** To protect the finish, avoid any harsh abrasives or chemicals.

Assembly Instructions

INSTRUCTIONS D'INSTALLATION

Box Series - 16" LED Bollard, 22" LED Bollard, 28" LED Bollard

16" LED Double Bollard, 22" LED Double Bollard, 28" LED Double Bollard

7341, 7342, 7343

7345, 7346, 7347

Important

- Always disconnect the power before installing or replacing bulbs and before cleaning or other maintenance.
- Consult a qualified, licensed electrician to ensure correct branch circuit conductor.
Consulter un électricien qualifié pour vous assurer que les conducteurs de la dérivation sont adéquats.

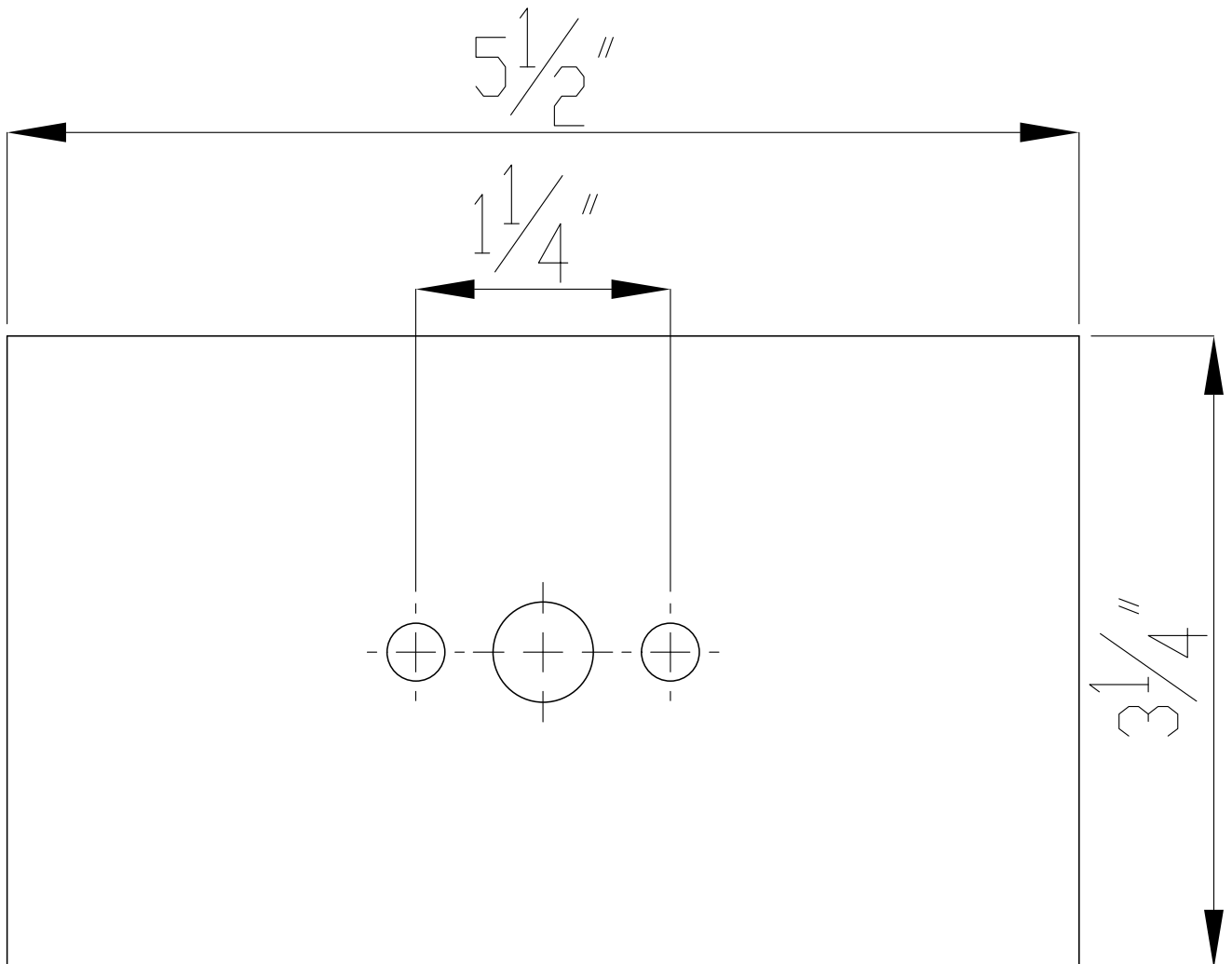


Fig. 1