

WARRANTY

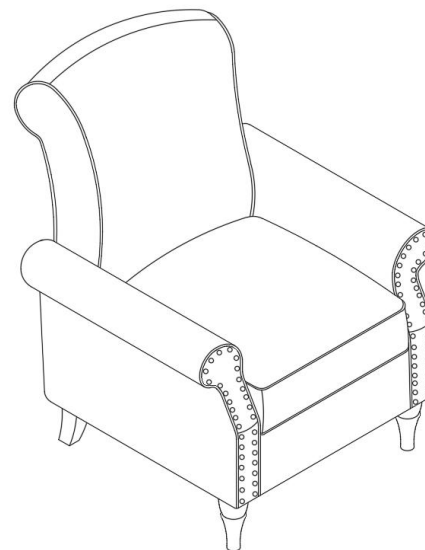
We strive to offer high-quality products, and we also try our best to satisfy each and every customer that orders from us with product or service as needed. We provide 30 days warranty starting from the time you receive the item. Each customer must provide a record of their order such as the order number, or item receipt for any items that are out of the warranty period you may also still receive replacement parts by purchasing them with our company if they are available.

**Are you having difficulty
with assembly? Missing parts?**

**Please send email with your order No to
customerservice@hulalahome.com**

**For return, please check the return policy with
the retailer or market place you bought from.**

**Appreciate your purchasing from us.
Pop up your life by our furniture piece!**



ITEM NO. CHWS0213/CHWH0479

NOTE:

This brochure contains IMPORTANT safety info. Please read and keep for future reference.

MAINTAINANCE AND WARNING

- Keep furniture away from heat.
- Do not clean furniture with harsh cleansers or polish. Do not use detergents, Solvents, abrasives, spray packs or leather cleaner. Use non-color mild soap with warm water clean spills(Mix 1:10 soap to water)
- Do not place furniture under direct sunlight, material will possibly fade over time.
- Do not use on site dry Cleaning machine.
- Children should not climb or jump on the furniture.
- Do not write on furniture without a padded barrier to protect the surface.
- Not for commercial use, For residential use only.

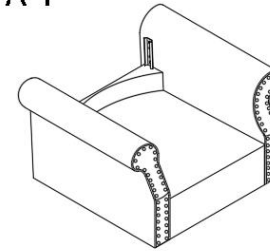


Weight Limitation

250LBS

PARTS LIST

A*1



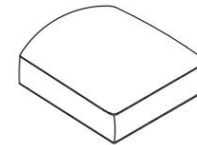
Seat Frame

B*1



Back

C*1



Seat Cushion

D*2



Front Legs

E*2



Back Legs

HARDWARE LIST

①*4
M8*18mm



Bolt

②*1
M5



Allen Key

③*2



Gasket

SPARE

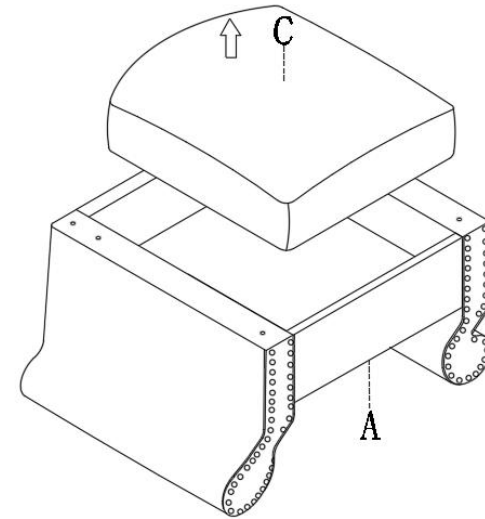
①*1
M8*18mm



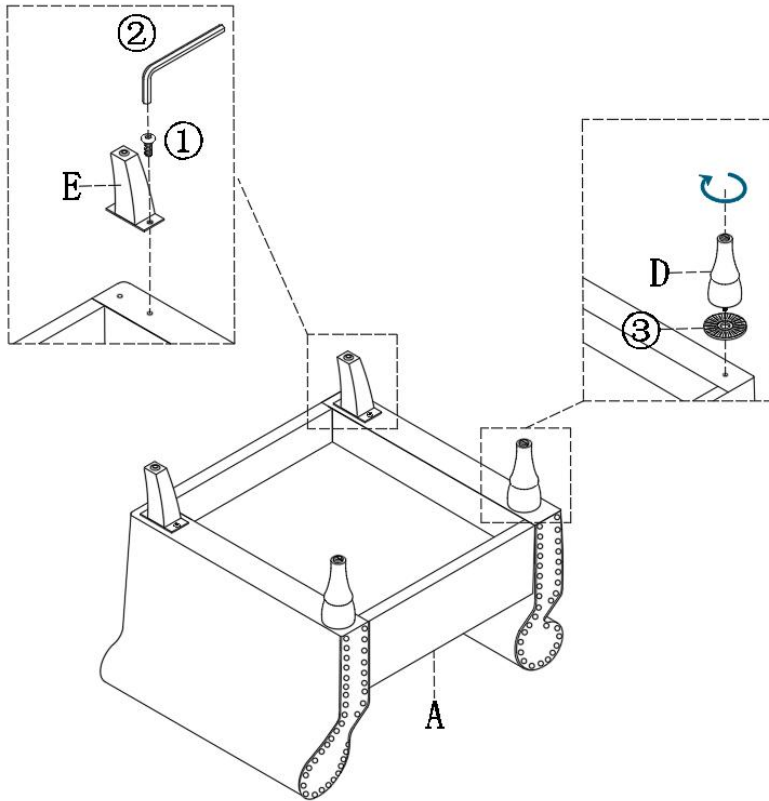
Bolt

Be sure to check all packing material carefully for small parts, which may have come loose inside the carton during shipment.

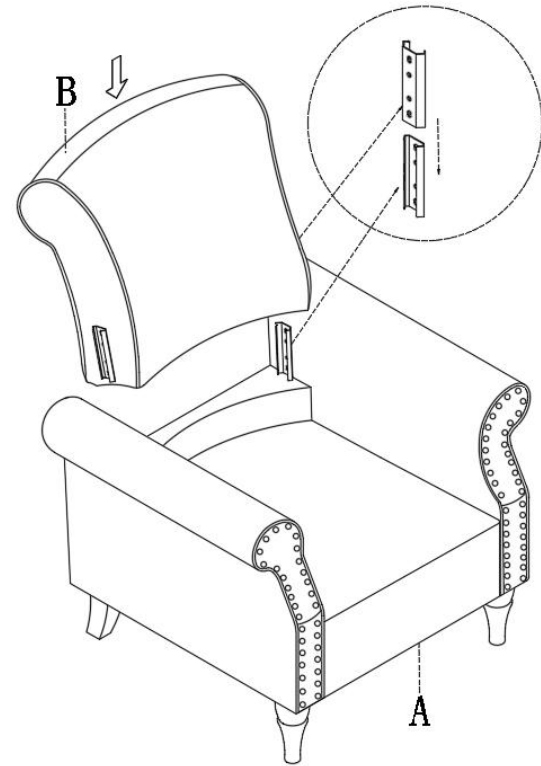
ASSEMBLY INSTRUCTIONS



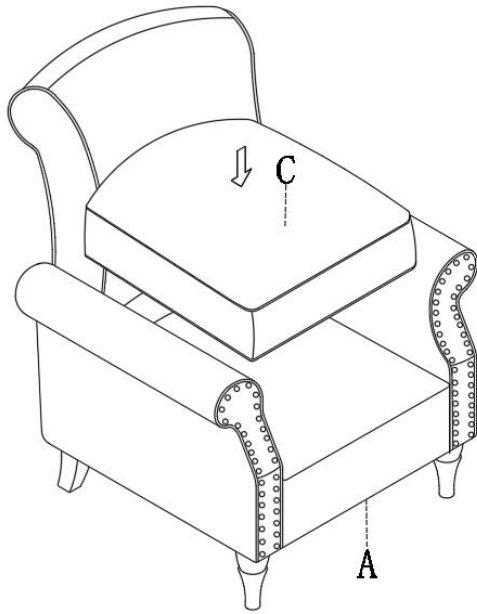
STEP 1: Turn the seat frame A upside down on clean padded surface, carefully take the seat cushion C out from the bottom space of seat.



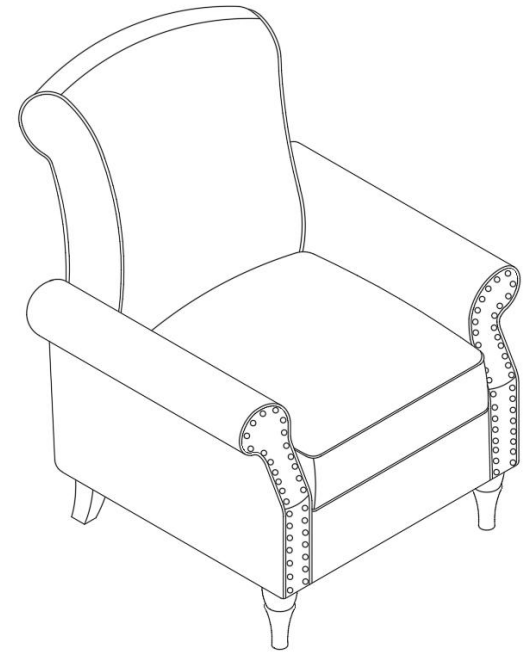
STEP 2: Insert bolt on front legs D through gasket and fasten legs to secure. Use bolt #1, allen key #2 to attach back legs E on rear bottom of the armrest, fasten all bolts to secure.



STEP 3: Turn the chair base assembly upright, carefully align male and female metal brackets on both sides then push the back B all the way down to secure



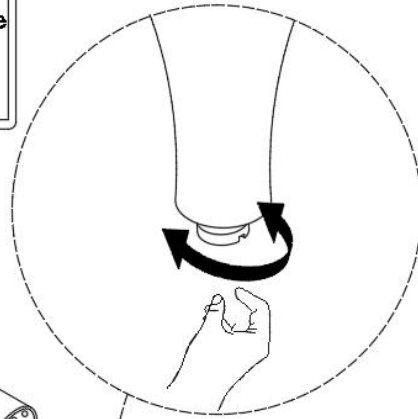
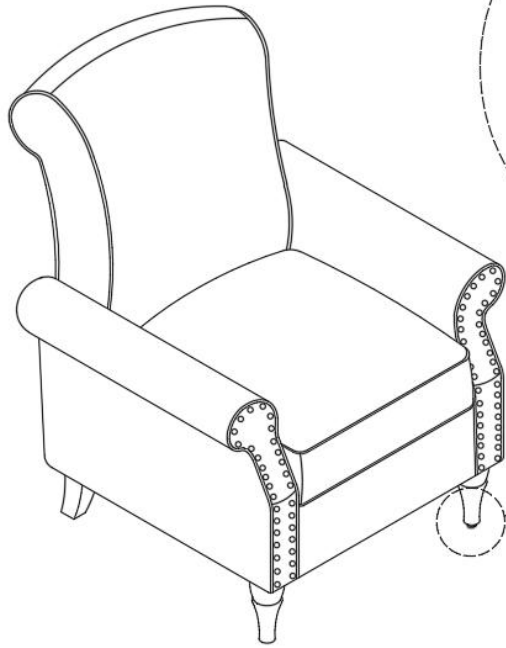
STEP 4:Place the chair seat cushion C on top of the seat frame and make sure gaps around seat cushion are evenly spaced.



STEP 5:Assembly completed.



Attention:
After installation, adjust the
adjustable leveler to keep
the chair balanced .



STEP 6:After installation, adjust the adjustable
leveler to keep the chair balanced .