

Paista Deck Mounted Single Handle Bathroom Sink Faucet



INSTALLATION INSTRUCTIONS

HELPFUL TOOLS

For safety and ease of faucet replacement, Moen recommends the use of these helpful tools.

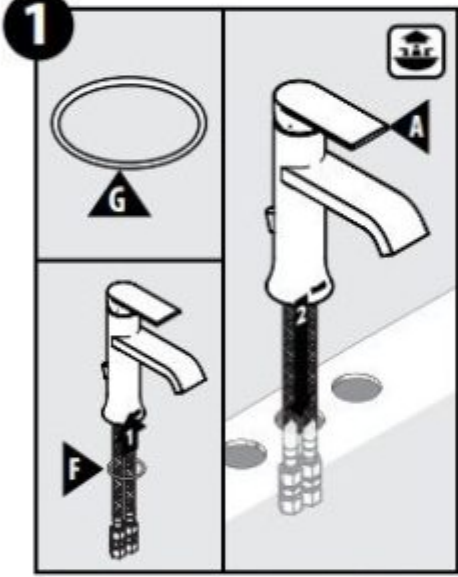


HERRAMIENTAS ÚTILES

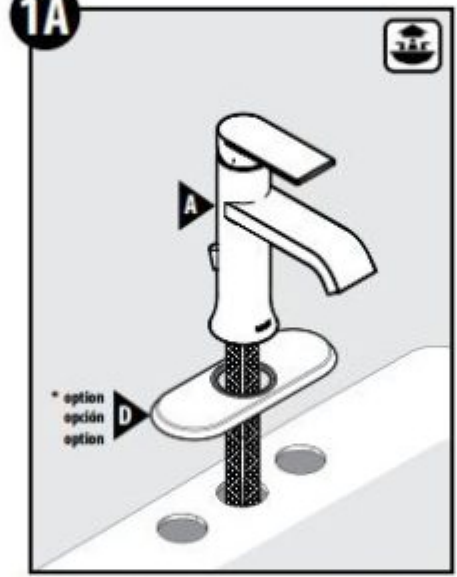
Para que el cambio de la llave sea fácil y seguro, Moen le recomienda usar estas útiles herramientas.

OUTILS UTILES

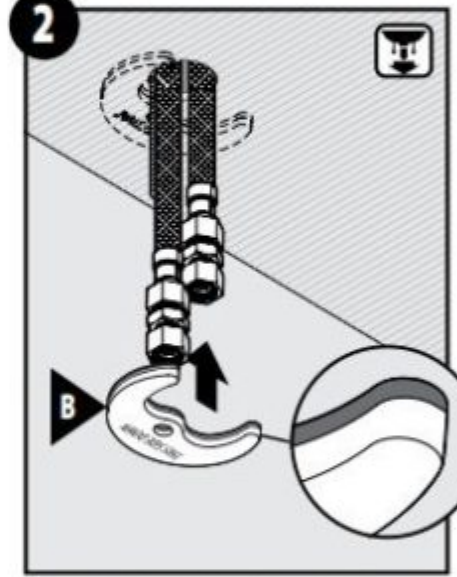
Par mesure de sécurité et pour faciliter l'installation, Moen suggère l'utilisation des outils suivants.



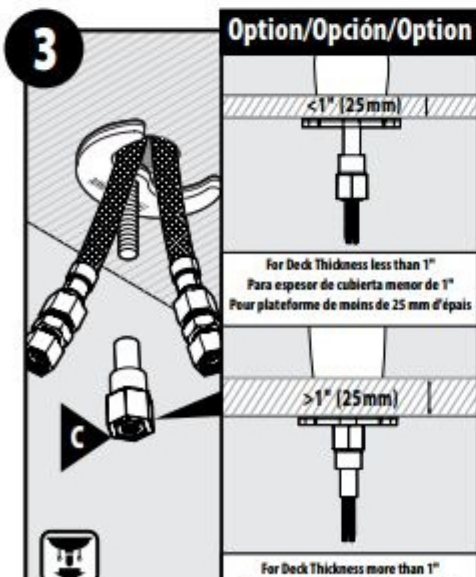
For single hole installations, place deck gasket (F) on the underside of the faucet body (A). Insert faucet into sink opening.



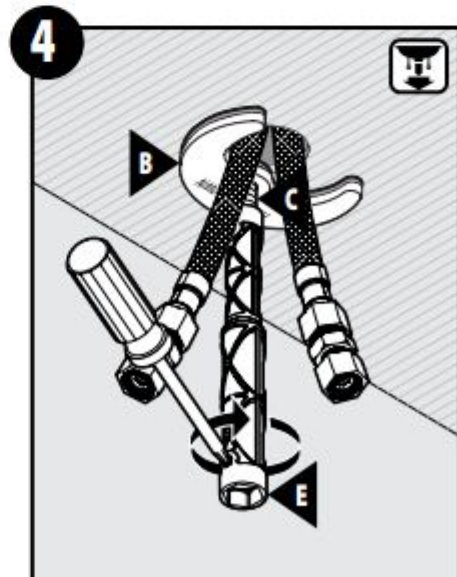
For 3 Hole Applications: Place Escutcheon (D) onto sink and insert faucet body (A) into opening.



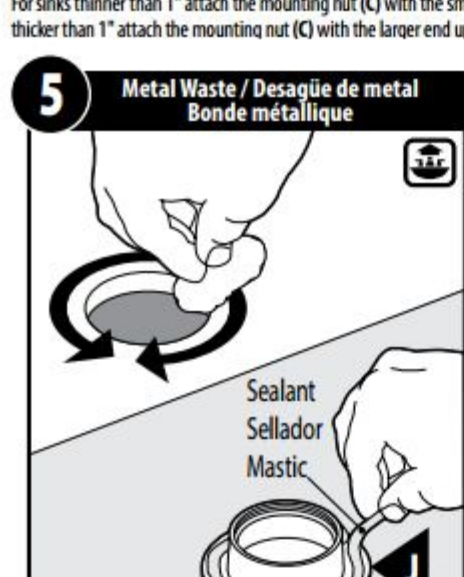
From below the sink, slide the mounting bracket (B) onto the threaded shank.



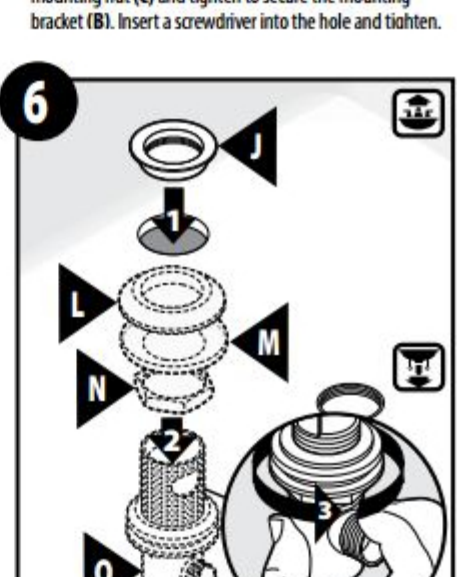
For sinks thinner than 1" attach the mounting nut (C) with the smaller end up as shown. For sinks thicker than 1" attach the mounting nut (C) with the larger end up as shown.



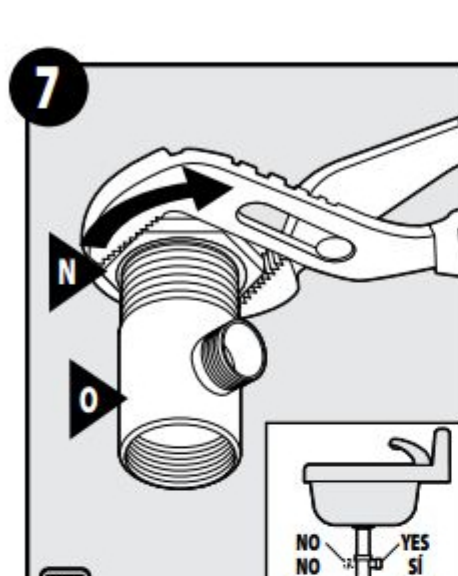
Place the small end of the mounting tool (E) onto the mounting nut (C) and tighten to secure the mounting bracket (B). Insert a screwdriver into the hole and tighten.



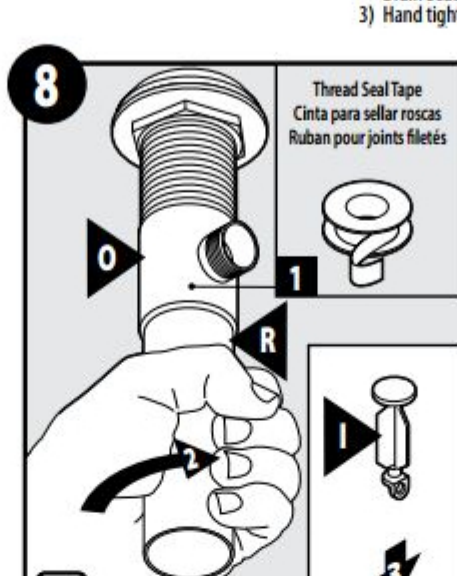
Clean/wipe sink drain area with soft cloth. Apply a bead of sealant to underside of Drain Seat (K).



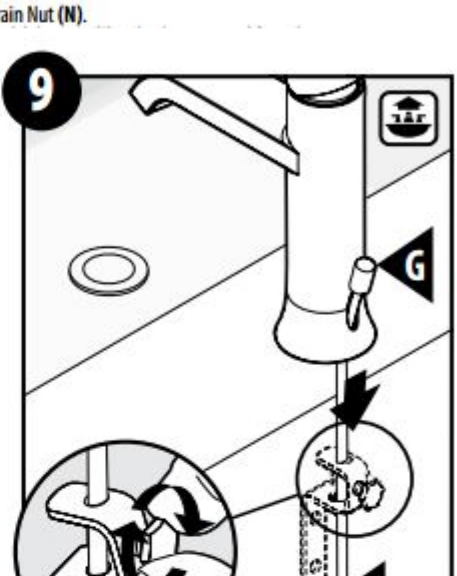
1) Insert Drain Seat (J) into sink opening.
2) Assemble Drain Gasket (L), Washer (M), and Drain Nut (N) onto Drain Body (O) from beneath sink opening. Attach to Drain Seat (J).
3) Hand tighten Drain Nut (N).



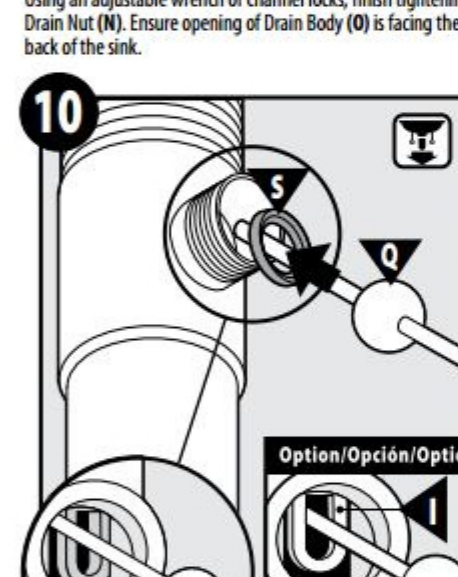
Using an adjustable wrench or channel locks, finish tightening Drain Nut (N). Ensure opening of Drain Body (O) is facing the back of the sink.



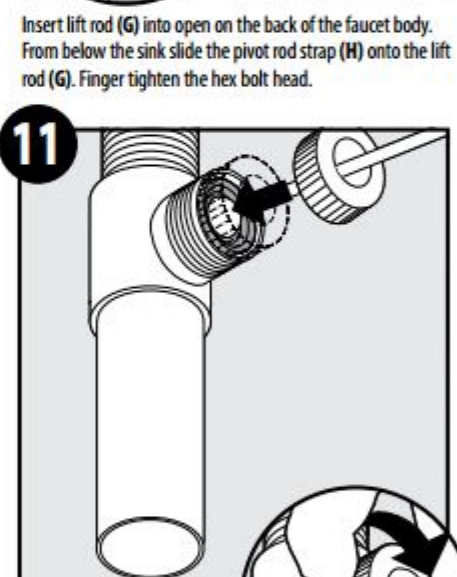
1) Apply thread seal tape to threads on Tail Piece (R).
2) Install Tail Piece (R) to Drain Body (O) and hand tighten.
3) Insert Drain Plug (I) into drain opening.



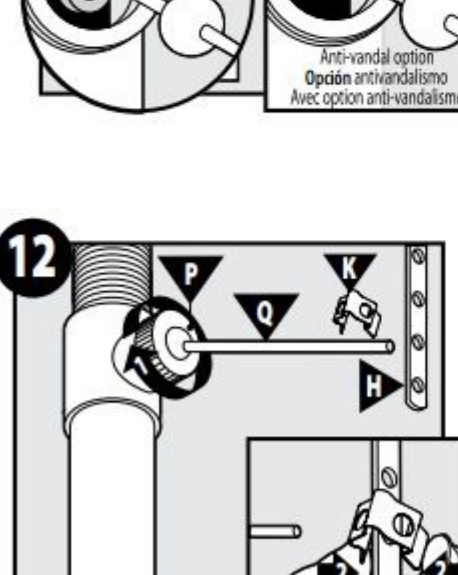
Insert lift rod (G) into open on the back of the faucet body. From below the sink slide the pivot rod strap (H) onto the lift rod (G). Finger tighten the hex bolt head.



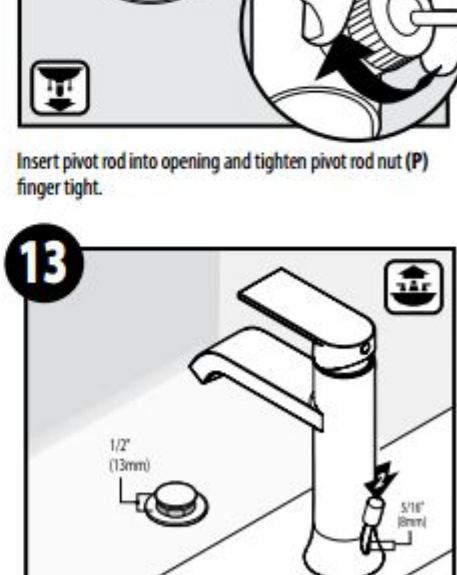
Verify that the white plastic pivot rod seal (S) is in place with beveled side facing out. The pivot rod (Q) can be installed two ways the illustration shows the pivot rod in the EASY CLEAN position which allows the plug to be pulled out for cleaning. The other option (illustrated in the inset) shows the pivot rod installed in the VANDAL PROOF position. The end of the pivot rod (Q) is inserted into the opening at the bottom of the plug (I).



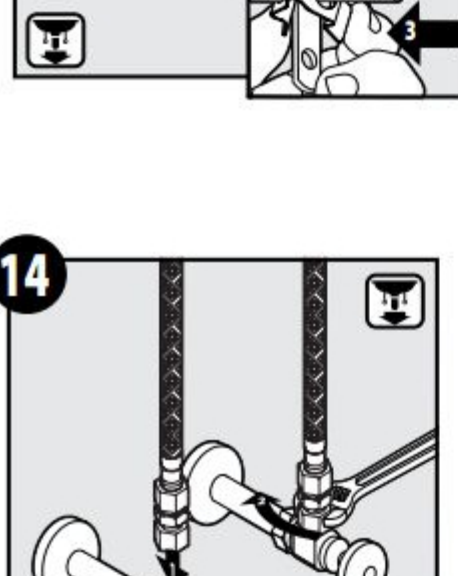
Insert pivot rod into opening and tighten pivot rod nut (P) finger tight.



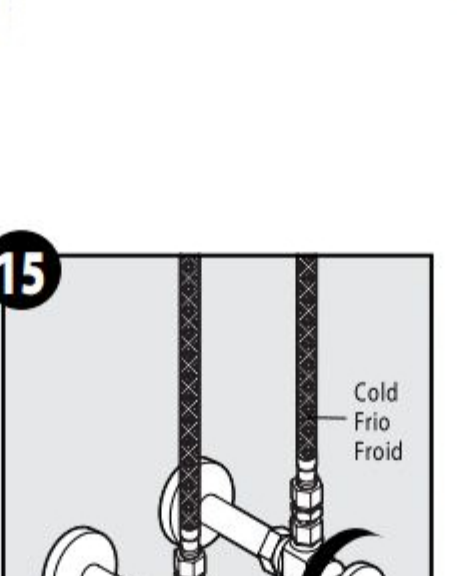
Slide one side of the pivot rod clip (K) onto the pivot rod (Q). Position the pivot rod strap (H) so the pivot rod (Q) passes through one side of the clip (K), through the closet hole on the pivot rod strap (H) and through the hole on the other side of the clip (K). Squeeze the ends of the clip (K) to adjust the positioning and let go to lock.



Loosen the pivot rod strap (H) bolt enough to allow the lift rod to move. Position the lift rod knob 5/16" above the faucet and the drain plug 1/2" above the drain seat. Tighten the lift rod strap bolt with a wrench.



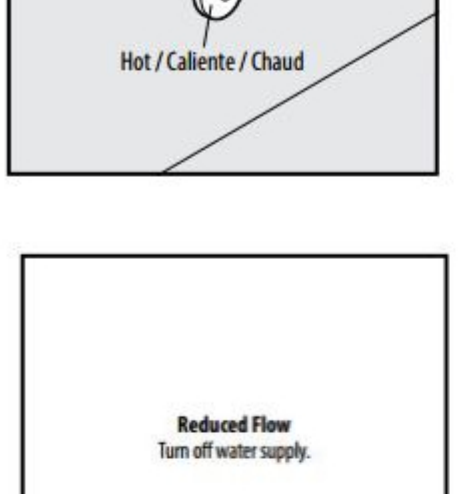
Hot / Caliente / Chaud



Cold Frio Froid

Hot Caliente Chaud

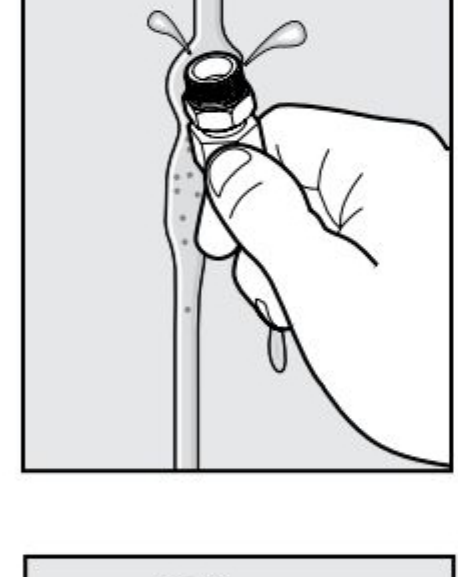
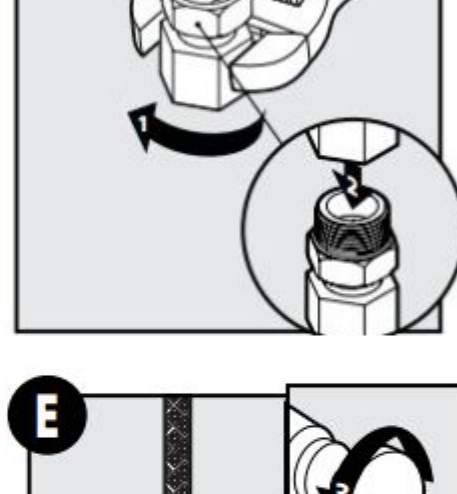
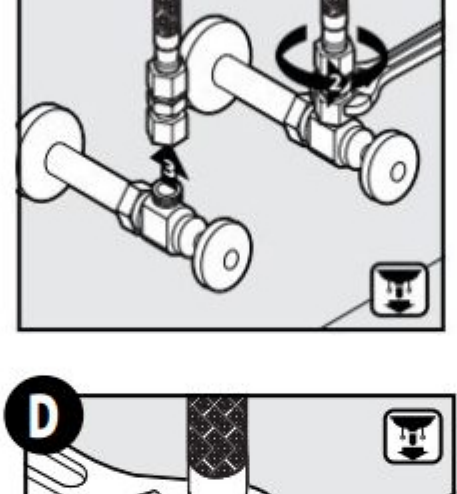
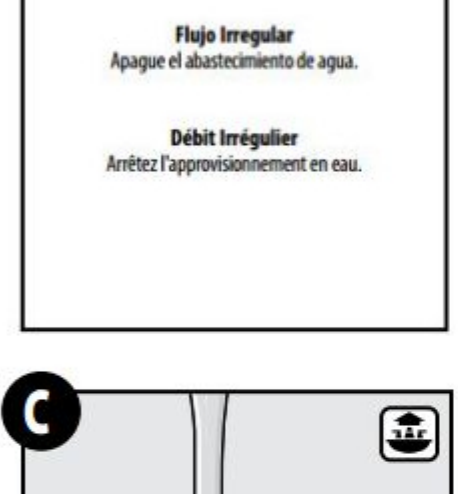
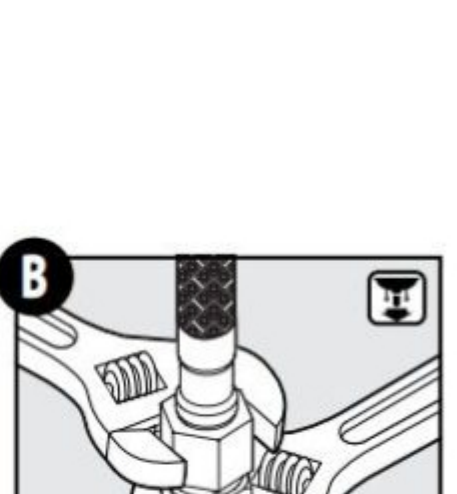
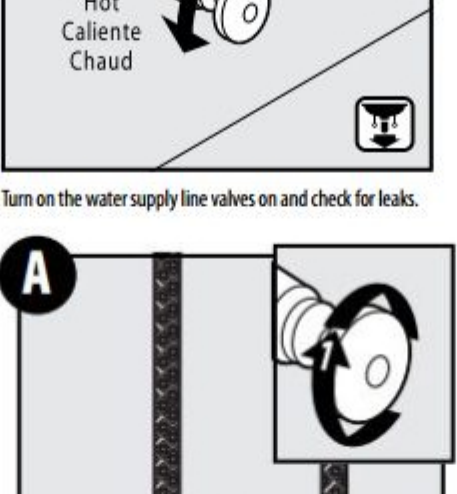
Turn on the water supply line valves and check for leaks.



Reduced Flow
Turn off water supply.

Flujo Irregular
Apague el abastecimiento de agua.

Débit Irrégulier
Arrêtez l'approvisionnement en eau.



Installation is complete.