

INSTALLATION INSTRUCTION

Single/Double Spot - Endurance

WP-LED415/WP-LED430

WAC LIGHTING
Responsible Lighting®

WARNING

IMPORTANT: NEVER attempt to do any work without shutting off the electricity.

1. Read all instructions before installing.
2. System is intended for installation by a qualified electrician in accordance with the National Electrical Code and local regulations.
3. Place the wall switch in the "OFF" position.
4. Go to the main fuse box, or circuit breaker. Unscrew the fuse(s) or switch "OFF" the circuit breaker switch(es) that control the power to the space that you are working on.

CAUTION

- All parts must be used as indicated in these instructions. Do not substitute any parts, leave parts out, or use any parts that are worn out or broken. Failure to follow this instruction may invalidate the ETL/cETL listing of this fixture.

AVERTISSEMENT

IMPORTANT : Coupez l'électricité avant TOUTE manipulation.

- Lisez toutes les instructions avant d'installer.
- Système est destiné à être installé par un électricien qualifié en conformité avec le code national de l'électricité et les règlements locaux.
- Placez l'interrupteur mural en position d'arrêt (« OFF »).
- Toujours mettre le fusible ou le disjoncteur en position arrêt dans la pièce ou des travaux électriques sont prévus

MISE EN GARDE

- Toutes les pièces doivent être utilisées tel qu'il est indiqué dans ces instructions. Ne remplacez pas les pièces, n'en laissez pas de côté et ne les utilisez pas si elles sont usées ou brisées. Le non-respect de ces instructions peut annuler l'homologation ETL/cETL du luminaire.

ADVERTENCIA

IMPORTANTE: NUNCA intente hacer trabajos sin desconectar el suministro eléctrico.

- Lea y comprenda todas las instrucciones e ilustraciones por completo antes de proceder con el ensamblaje e instalación de esta lámpara.
- Sistema está diseñado para ser instalado por un electricista calificado, de acuerdo con el código eléctrico nacional y las normas locales.
- Coloque el interruptor de la pared en la posición "OFF" (APAGADO).
- Diríjase a la caja de fusibles o a la caja del interruptor de circuito principal en su hogar. Coloque el interruptor de alimentación principal en la posición "OFF" (APAGADO).

PRECAUCIÓN

- Todas las piezas deben usarse como lo indican estas instrucciones. No reemplace las piezas, no omita piezas durante la instalación ni utilice piezas gastadas o rotas. El incumplimiento de esta indicación podría invalidar la calificación ETL/cETL esta lámpara.

A1



Wire connector
Qty: 3pcs

B1



Junction box screw
Qty: 2pcs + 1 extra

waclighting.com
Phone (800) 526.2588
Fax (800) 526.2585

Headquarters/Eastern Distribution Center
44 Harbor Park Drive
Port Washington, NY 11050

Central Distribution Center
1600 Distribution Ct
Lithia Springs, GA 30122

Western Distribution Center
1750 Archibald Avenue
Ontario, CA 91760



INSTALLATION INSTRUCTION

Single/Double Spot - Endurance

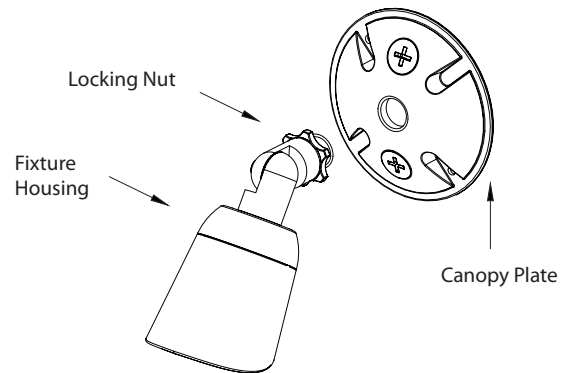
WP-LED415/WP-LED430

WAC LIGHTING
Responsible Lighting®

INSTALLATION AND WIRING

STEP 1:

- Wrap locking nut with thread seal tape to act as a sealant.
- Mount fixture housing onto the canopy plate.
- Tighten locking nut to secure fixture position.



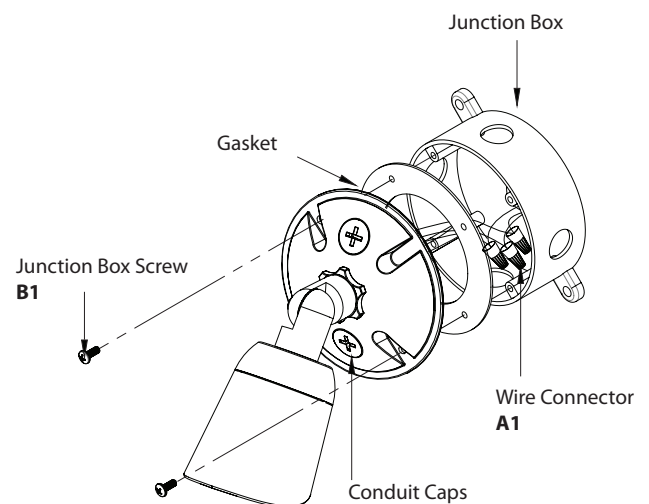
STEP 2:

- Connect the electrical wires as shown in **Fig.1**, making sure that all wire connectors (A1) are secured. If your outlet box has a green or bare copper ground wire, connect the fixture's ground wire to it. After wires are connected, tuck them carefully inside the junction box.

Wiring



Fixture Wires Black or Smooth	House Wires Black (Hot)
Fixture Wires White or Ribbed	House Wires White (Neutral)
Fixture Wires Bare wire (Ground)	House Wires Green or Bare Copper (Ground)



STEP 3:

- Mount fixture housing onto the junction box with junction box screw (B1).
- Tighten all conduit caps with thread seal tape.

waclighting.com
Phone (800) 526.2588
Fax (800) 526.2585

Headquarters/Eastern Distribution Center
44 Harbor Park Drive
Port Washington, NY 11050

Central Distribution Center
1600 Distribution Ct
Lithia Springs, GA 30122

Western Distribution Center
1750 Archibald Avenue
Ontario, CA 91760



INSTALLATION INSTRUCTION

Single/Double Spot - Endurance

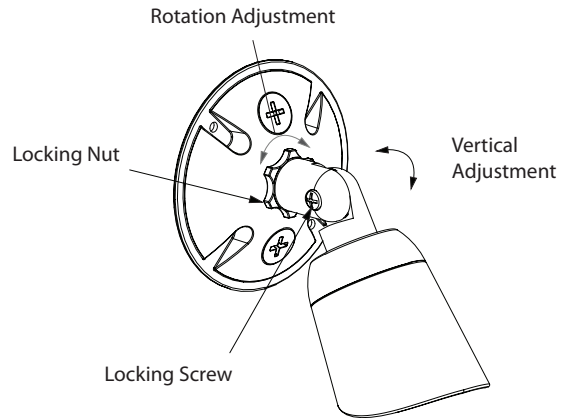
WP-LED415/WP-LED430

WAC LIGHTING

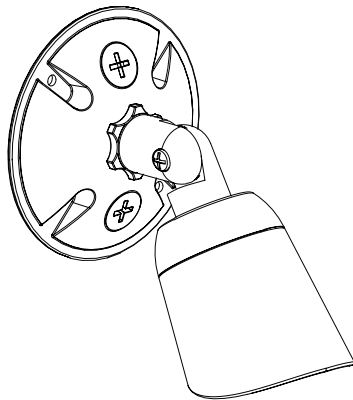
Responsible Lighting®

ADJUSTING THE LUMINAIRE:

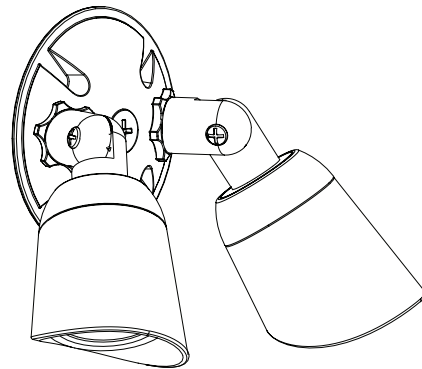
- **Vertical Adjustment:** Loosen locking screw, rotate fixture to desired angle ($\pm 90^\circ$), and tighten locking screw.
- **Rotation Adjustment:** Loosen locking nut, rotate fixture to desired angle (360°), and tighten locking nut.



ENDURANCE SPOT MODELS



Single Spot
WP-LED415



Double Spot
WP-LED430

waclighting.com
Phone (800) 526.2588
Fax (800) 526.2585

Headquarters/Eastern Distribution Center
44 Harbor Park Drive
Port Washington, NY 11050

Central Distribution Center
1600 Distribution Ct
Lithia Springs, GA 30122

Western Distribution Center
1750 Archibald Avenue
Ontario, CA 91760



INSTALLATION INSTRUCTION
Single/Double Spot - Endurance

WP-LED415/WP-LED430

WAC LIGHTING
Responsible Lighting®

COMPLETING THE INSTALLATION

To prevent moisture from entering the outlet box and causing a short, use caulking (i.e. silicone sealant) to outline the outside of Spot junction box where it meets the wall while leaving the bottom side unsealed to allow moisture to escape.

Note: Endurance Spot models are suitable for wet location installations in all mounting orientations.

COMPATIBLE DIMMERS

BRAND	MODEL NUMBER	TYPE
Lutron	GRX-3103-A-G	ELV 120V
Lutron	RRD-6NA	ELV 120V
Lutron	DVELV-300P	ELV 120V
Lutron	SELV-300P	ELV 120V

Please visit our website or contact a WAC Lighting professional for a complete list of compatible dimmers and sensors.

waclighting.com
Phone (800) 526.2588
Fax (800) 526.2585

Headquarters/Eastern Distribution Center
44 Harbor Park Drive
Port Washington, NY 11050

Central Distribution Center
1600 Distribution Ct
Lithia Springs, GA 30122

Western Distribution Center
1750 Archibald Avenue
Ontario, CA 91760

