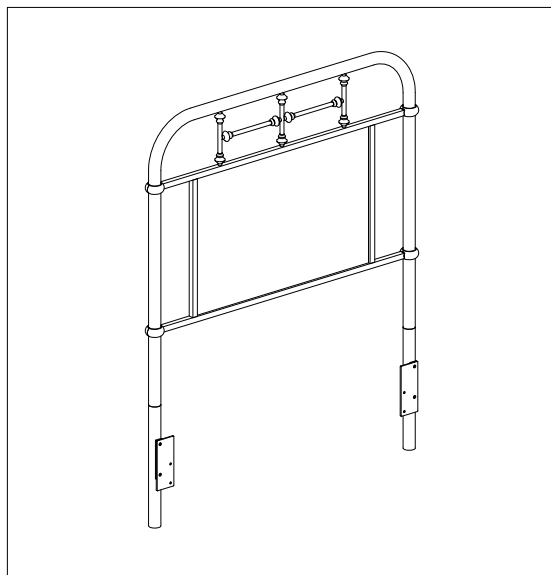









ITEM # 179-BR11H-B/G/O/R/W **DESCRIPTION** Twin Metal Headboard-Black/Green/Orange/Red/White

Thank you for purchasing this quality product. Be sure to check all packing material carefully for small parts which may have some loose inside the carton during shipment. Identify and count all parts and compare with the parts List Below:



HARDWARE LIST

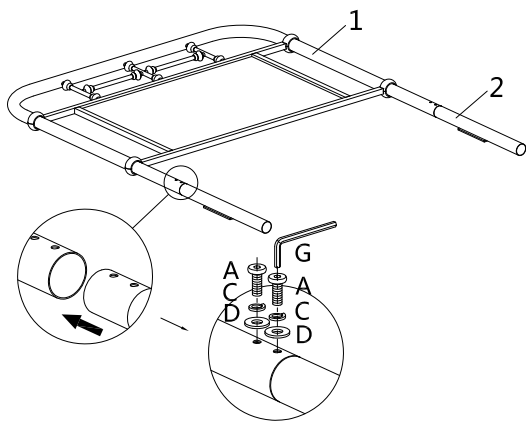
NO.	SKETCH	HARDWARE	Q'TY
A		Ø1/4"x3/4" BOLT	4PCS
B		Ø5/16"x1" BOLT	4PCS
C		SMALL SPRING WASHER	4PCS
D		SMALL FLAT WASHER	4PCS
E		BIG SPRING WASHER	4PCS
F		BIG FLAT WASHER	4PCS
G		ALLEN KEY 4MM	1PC

PARTS LIST (IF NEEDED)

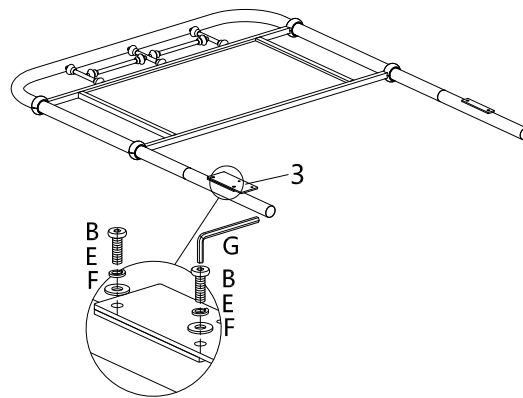
1		Headboard	1PC
2		K/D Leg	2PCS
3		Metal Plate	2PCS

ASSEMBLY STEP

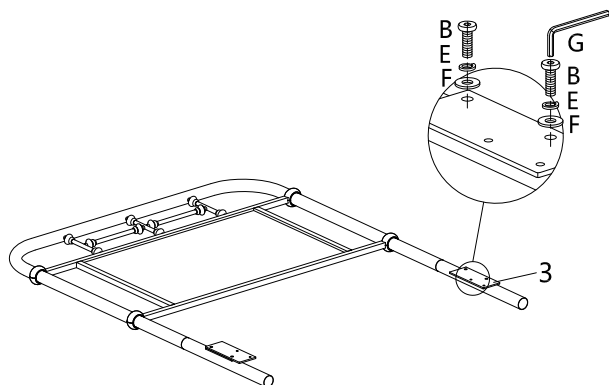
STEP 1:



STEP 2:



STEP 3:



STEP 4:

