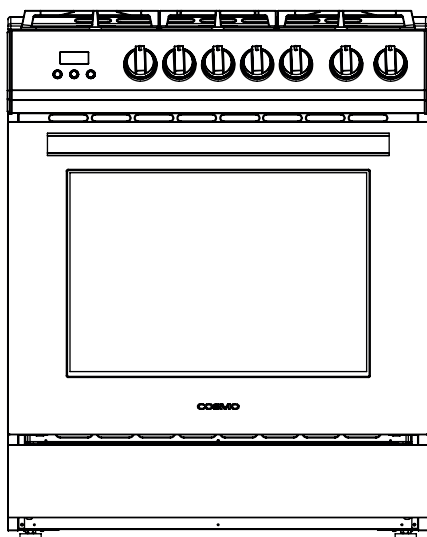
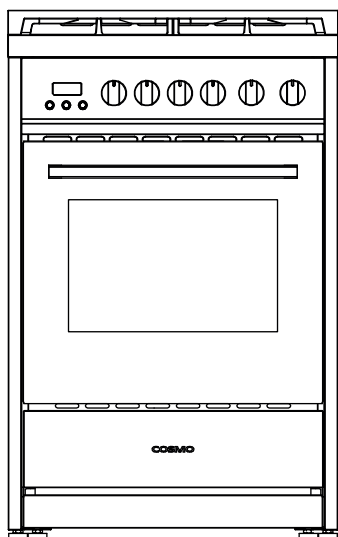




## **GAS RANGE**

**COS-244AGC**

**COS-305AGC**



## **FREESTANDING / SLIDE-IN RANGE**

### **INSTALLATION INSTRUCTIONS**

**IMPORTANT:** READ AND SAVE THESE INSTRUCTIONS.  
FOR RESIDENTIAL USE ONLY.

**INSTALLER:** PLEASE LEAVE THESE INSTRUCTIONS WITH THIS UNIT FOR  
THE OWNER.

**OWNER:** PLEASE RETAIN THESE INSTRUCTIONS FOR FUTURE  
REFERENCE.

# THANK YOU FOR YOUR PURCHASE

**Thank you for your purchase. We know that you have many brands and products to choose from and we are honored to know that you have decided to take one of our products into your home and hope that you enjoy it.**

COSMO Appliances are designed according to the strictest safety and performance standard for the North American market. We follow the most advanced manufacturing philosophy. Each appliance leaves the factory after thorough quality inspection and testing. Our distributors and our service partners are ready to answer any questions you may have regarding how to install, use and care for your products. We hope that this manual will help you learn to use the product in the safest and most effective manner.

**Before using this product, please read through this manual carefully.** Keep this user manual in a safe place for future reference. Please ensure that other persons using this product are familiar with these instructions as well.

If you have any questions or concerns, please contact the dealer from whom you purchased the product, or contact our Customer Support at:

**1-888-784-3108**

Reach us online at:

**[www.cosmoappliances.com](http://www.cosmoappliances.com)**

# TABLE OF CONTENTS

<b>RANGE SAFETY</b> .....	<b>4</b>
Anti-tip Device .....	7
<b>INSTALLATION REQUIREMENTS</b> .....	<b>8</b>
Tools and Parts .....	8
Location Requirements .....	10
Product Dimensions .....	12
Clearances.....	14
Venting Requirements.....	16
Electrical Requirements .....	17
Gas Supply Requirements .....	19
<b>INSTALLATION INSTRUCTIONS</b> .....	<b>23</b>
Remove Old Appliance .....	23
Unpack Range .....	25
Install Anti-tip Device .....	26
Install Backsplash.....	30
Install Oven Door Handle.....	31
Gas Connection.....	32
Complete Installation.....	35
Electrical Supply Connection .....	35
Placement and Leveling Range.....	36
Verify Anti-tip Bracket Engagement .....	38
Removing/Assembling Oven Door.....	39
Assembling the Surface Burners and Grates .....	41
Checking Operation of the Surface Burners .....	43
Adjust Flame Height .....	45
Checking Operation of the Oven.....	47
<b>GAS CONVERSION</b> .....	<b>49</b>
Convert Gas Pressure Regulator .....	50
Convert Surface Burners .....	52
Convert Oven Burners .....	55
Complete Gas Conversion.....	57

# RANGE SAFETY

## READ ALL INSTRUCTIONS BEFORE USING THE APPLIANCE

### Your safety and the safety of others are very important.

We have provided many important safety messages in this manual and on your appliance. Always read and obey all safety messages.



This is the safety alert symbol.

This symbol alerts you to potential hazards that can kill or hurt you and others.

All safety messages will follow the safety alert symbol and either the word "WARNING" or "CAUTION." These words mean:



You can be killed or seriously injured if you don't follow instructions.



A potentially hazardous situation which, if not avoided, could result in minor or moderate injury.

All safety messages will tell you what the potential hazard is, tell you how to reduce the chance of injury, and tell you what can happen if the instructions are not followed.

In the State of Massachusetts, the following installation instructions apply:

- Installations and repairs must be performed by a qualified or licensed contractor, plumber, or gasfitter qualified or licensed by the State of Massachusetts.
- If using a ball valve, it shall be a T-handle type.
- A flexible gas connector, when used, must not exceed 3 feet.

### California Proposition 65 Warning

 **WARNING:**

Cancer and Reproductive Harm - [www.P65Warnings.ca.gov](http://www.P65Warnings.ca.gov).

## **WARNING**



### **FIRE AND EXPLOSION HAZARD**

If the information in this manual is not followed exactly, a fire or explosion may result causing property damage, personal injury or death.

- Do not store or use gasoline or other flammable vapors and liquids in the vicinity of this or any other appliance.
- **WHAT TO DO IF YOU SMELL GAS**
  - Do not try to light any appliance.
  - Do not touch any electrical switch.
  - Do not use any phone in your building.
  - Clear the room, building, or area of all occupants.
  - Immediately call your gas supplier from a neighbor's phone. Follow the gas supplier's instructions.
  - If you cannot reach your gas supplier, call the fire department.
- Installation and service must be performed by a qualified installer, service agency or the gas supplier.

## **WARNING**

Never Operate the Top Surface Cooking Section of this Appliance Unattended.

- Failure to follow this warning statement could result in fire, explosion, or burn hazard that could cause property damage, personal injury, or death.
- If a fire should occur, keep away from the appliance and immediately call your fire department.

**DO NOT ATTEMPT TO EXTINGUISH AN OIL/GREASE FIRE WITH WATER.**

## WARNING

- Gas leaks cannot always be detected by smell. Gas suppliers recommend that you use a gas detector approved by UL or CSA. For more information, contact your gas supplier.
- Do not install a ventilation system that blows air downward toward this cooking appliance. This type of ventilation system may cause ignition and combustion problems with this cooking appliance resulting in personal injury or unintended operation.
- This appliance is intended for normal residential use. It is not approved for commercial use, outdoor installation, or any other application not specifically allowed by this manual.
- This appliance requires connection to a 3-prong, 120VAC single-phase (split-phase), 60Hz grounded electrical source protected by a 15- or 20-Amp circuit breaker or slow blow fuse. When installed, appliance must be electrically grounded in accordance with local codes or, in the absence of local codes, with the National Electrical Code, NFPA 70 or the Canadian Electric Code, CSA C22.1-02.
- Proper installation is the responsibility of the installer. Any adjustment and service should be performed only by qualified range installers or service technicians. The manufacturer is not responsible for any injury or damage that may result from incorrect or defective installation by unauthorized personnel.
- Product failure due to improper installation is not covered under warranty.

## ANTI-TIP DEVICE

### WARNING

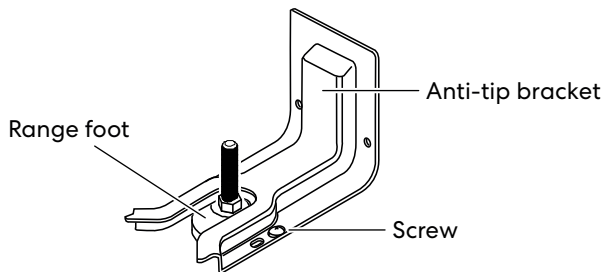


#### TIP OVER HAZARD

- A child or adult can tip the range and be killed.
- Install anti-tip bracket to floor or wall per installation instructions.
- Slide range back so rear range foot is engaged in the slot of the anti-tip bracket.
- Re-engage the anti-tip bracket if range is moved.
- Do not operate the range without anti-tip bracket installed and engaged.
- Failure to follow these instructions can result in death or serious burns to children and adults.

### Making sure the anti-tip bracket is installed:

- Slide range forward.
- Look for the anti-tip bracket securely attached to floor or wall.
- Slide range back and make sure rear range foot is under anti-tip bracket.



# INSTALLATION REQUIREMENTS

## TOOLS AND PARTS

Gather the required tools and parts before starting installation. Read and follow the instructions provided with any tools listed here.

### TOOLS NEEDED

- Tape measure
- Flat-blade screwdriver
- Phillips screwdriver
- Level
- Adjustable wrench or pliers
- Pipe wrench
- Drill (for anti-tip bracket installation)
- 1/8" (3.2 mm) drill bit (for wood floors)
- Masonry drill bit (for concrete/ceramic floors only)
- Marker or pencil
- Pipe-joint compound resistant to Propane gas
- Noncorrosive leak-detection solution

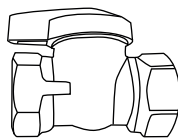
### For Propane/Natural Gas Conversions

- Combination wrench
- Nut driver
- Masking tape

### PARTS NEEDED



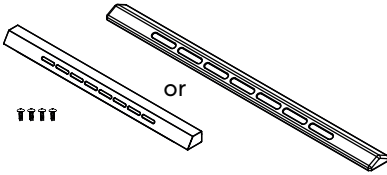
Gas supply line kit  
(supply line and 2 adapters)



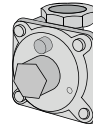
Gas line shut-off valve



## PARTS SUPPLIED



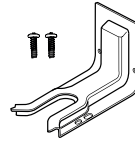
Backsplash with screws



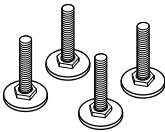
Gas pressure regulator



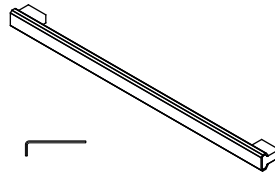
Gas pipe adapter with washers



Anti-tip bracket with screws



Leveling leg (4)  
24" Model: COS-244AGC



Oven door handle with set screws  
and Hex key

## OPTIONAL PARTS

To purchase these or any other accessories or replacement parts, please visit [www.cosmoappliances.com](http://www.cosmoappliances.com) or reference the contact information at the end of this manual.

- LP conversion kits

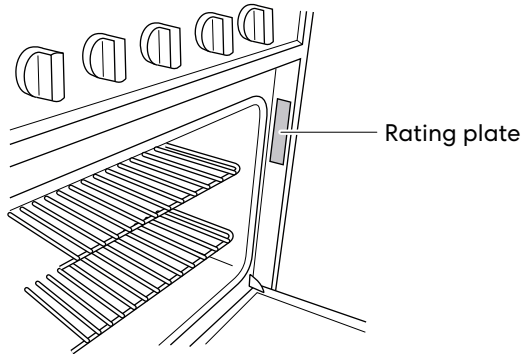


Scan to find  
available LP  
Kits

# LOCATION REQUIREMENTS

**IMPORTANT:** Observe all governing codes and ordinances. Do not obstruct flow of combustion and ventilation air.

- It is the installer's responsibility to comply with installation clearances specified on the model/serial/rating plate. The model/serial/rating plate is located behind the oven door on the oven frame, and also on the back panel of the range.



- The range should be located for convenient use in the kitchen.
- Recessed installations must provide complete enclosure of the sides and rear of the range.
- To eliminate the risk of burns or fire by reaching over heated surface units, cabinet storage space located above the surface units should be avoided. If cabinet storage is to be provided, the risk can be reduced by installing a range hood or microwave hood combination that projects horizontally a minimum of 5" (12.7 cm) beyond the bottom of the cabinets.
- Do not install a ventilation system that blows air downward toward the range.
- Do not locate the range where it may be subject to strong drafts.
- All openings in the wall or floor where range is to be installed must be sealed.
- Do not seal the range to the side cabinets.
- Cabinet opening dimensions that are shown must be used.
- The anti-tip bracket must be installed.
- Grounded electrical supply is required. See "Electrical Requirements" section.

- Proper gas supply connection must be available. See "Gas Supply Requirements" section.
- Contact a qualified floor covering installer to check that the floor covering can withstand at least 200°F (93°C).
- Use an insulated pad or 1/4" (0.64 cm) plywood under range if installing range over carpeting.

**IMPORTANT:** To avoid damage to your cabinets, check with your builder or cabinet supplier to make sure that the materials used will not discolor, delaminate, or sustain other damage.

### **Mobile Home - Additional Installation Requirements**

- The installation of this range must conform to the Manufactured Home Construction and Safety Standard, Title 24 CFR, Part 3280 (formerly the Federal Standard for Mobile Home Construction and Safety, Title 24, HUD Part 280). When such standard is not applicable, use the Standard for Manufactured Home Installations, ANSI A225.1/NFPA 501A or with local codes.

In Canada, the installation of this range must conform with the current standards CAN/CSA-A240-latest edition, or with local codes.

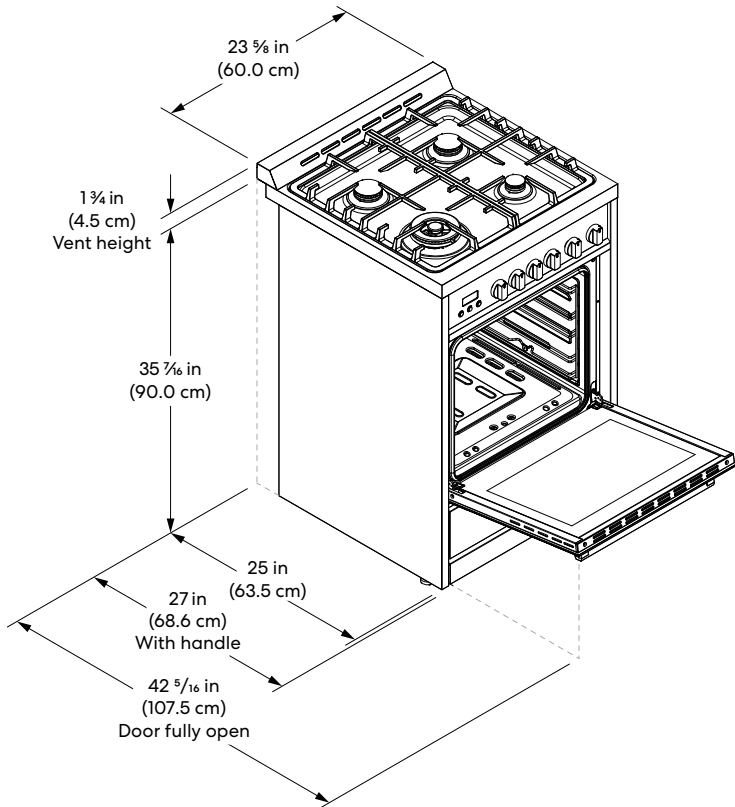
### **Mobile Home Installations Require:**

- When this range is installed in a mobile home, it must be secured to the floor during transit. Any method of securing the range is adequate as long as it conforms to the standards listed above.
- Four-wire power supply cord or cable must be used in a mobile home installation. The appliance wiring will need to be revised. See "Electrical Connection" section.

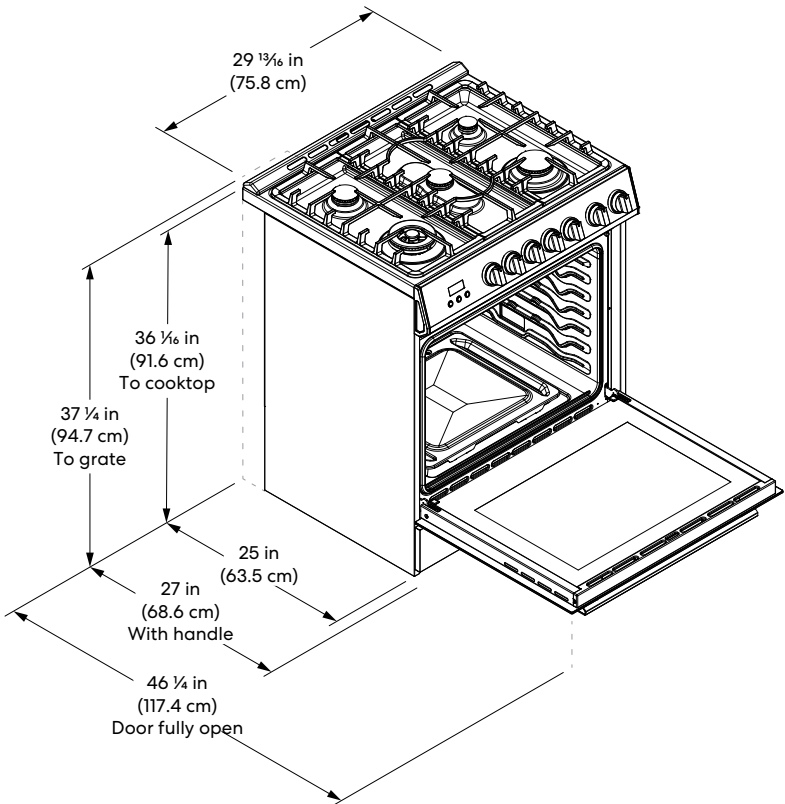
# PRODUCT DIMENSIONS

Your model may appear different from the models depicted. Dimensions given are maximum dimensions across all models.

## COS-244AGC (24")



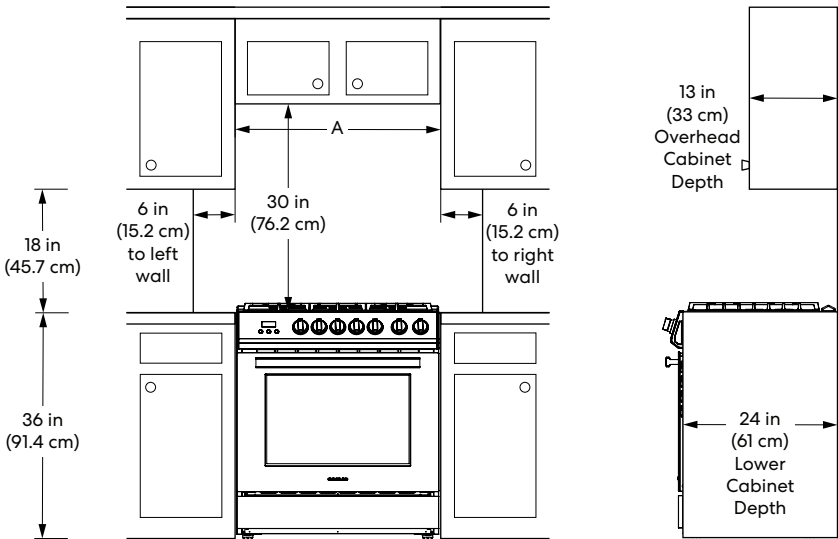
**COS-305AGC (30")**



# CLEARANCES

**IMPORTANT:** Some cabinet and building materials are not designed to withstand the heat produced by the oven for baking and self-cleaning. Check with your builder or cabinet supplier to make sure that the materials used will not discolor, delaminate or sustain other damage.

**GIVEN DIMENSIONS ARE MINIMUM CLEARANCES.**



Model	A
	Overhead Cabinet Horizontal Clearance
COS-244AGC (24")	24" (61.0 cm)
COS-305AGC (30")	30" (76.2 cm)

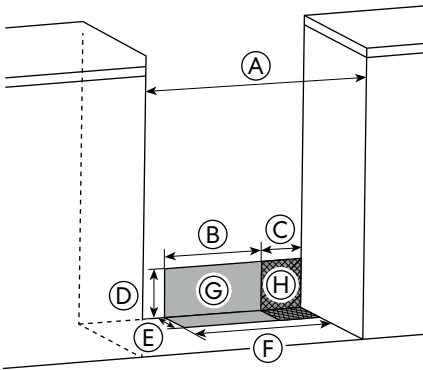
**NOTE:**

1. 30" (76.2 cm) minimum clearance between cooking surface and bottom of the overhead cabinet.
2. 18" (45.7 cm) minimum clearance from upper cabinet to countertop on either side of unit.
3. Island Installations: Maintain 6" (15.2 cm) minimum clearance from cutout to back and side edges of countertop.

## POWER SUPPLY LOCATION

**IMPORTANT:**

- An electrical outlet in the floor, may be either recessed or surface mounted, but an electrical outlet in the wall must be recessed to make the connection.
- For Direct Wiring, the electrical box should be mounted to the wall.



- Ⓐ Cutout Width
- Ⓑ 11 ½" (29.2 cm)
- Ⓒ 6" (15.2 cm)
- Ⓓ 7 ¼" (18.4 cm)
- Ⓔ 3" (7.6 cm)
- Ⓕ 17 ½" (44 cm)
- Ⓖ Recommended Location for Electrical Outlet
- Ⓗ Recommended Location for Gas Supply Connection

Model	A
	Cutout Width
COS-244AGC (24")	24" (61.0 cm)
COS-305AGC (30")	30" (76.2 cm)

# VENTING REQUIREMENTS

**IMPORTANT:** This range must be exhausted outdoors unless you are using ductless venting. Observe all governing codes and ordinances. Do not obstruct flow of combustion and ventilation air.

- Do not terminate the vent system in an attic or other enclosed area.
- Use an approved vent cap for proper performance. If an alternate wall or roof cap is used, be certain the cap size is not reduced and that it has a backdraft damper.
- Vent system must terminate to the outside unless you are using a ductless vent kit.
- Rigid metal vent is recommended. For best performance, do not use plastic or metal foil vent.
- If a joist or stud must be cut, then a supporting frame must be constructed.
- The size of the vent should be uniform.
- The vent system must have a damper.
- Seal all joints in the vent system.
- Use caulking to seal exterior wall or roof opening around the cap.
- Determine which venting method is best for your application.

## MAKEUP AIR

Local building codes may require the use of makeup air systems when using ventilation systems greater than specified CFM of air movement. The specified CFM varies from locale to locale. Consult your HVAC professional for specific requirements in your area.



# ELECTRICAL REQUIREMENTS

## **WARNING**



### **ELECTRICAL SHOCK HAZARD**

- Do not use an extension cord with this appliance.
- Remove house fuse or open circuit breaker before beginning installation.

### **ELECTRICAL GROUNDING INSTRUCTIONS**

- The power cord of this appliance is equipped with a three-prong (grounding) plug which plugs into a standard three-prong grounding wall receptacle to minimize the possibility of electric shock hazard from this appliance.
- **DO NOT, UNDER ANY CIRCUMSTANCES, CUT OR REMOVE THE (THIRD) GROUNDING PRONG FROM THE PLUG.**

## **U.S.A. ONLY**

Be sure that the electrical connection and wire size are adequate and in conformance with the National Electrical Code, ANSI/NFPA No. 70 - latest edition and all local codes and ordinances.

A copy of the above code standards can be obtained from:

National Fire Protection Association  
1 Batterymarch Park  
Quincy, MA 02169

## **CANADA ONLY**

Be sure that the electrical connection and wire size are adequate and in conformance with the CSA Standard C22.1, Canadian Electrical Code, Part 1 - latest edition and all local codes and ordinances.

A copy of the above code standards can be obtained from:

Canadian Standards Association  
178 Rexdale Blvd.  
Toronto, ON M9W 1R3 CANADA

## ELECTRICAL CONNECTION

**WARNING:** Improper connection of the equipment-grounding conductor can result in a risk of electric shock. Check with a qualified electrician or service technician if you are in doubt as to whether the appliance is properly grounded. Do not modify the power supply cord plug. If it will not fit the outlet, have a proper outlet installed by a qualified electrician.

- The receptacle of this range is to be connected to a properly grounded dedicated circuit providing 120 VAC/60 Hz power and protected by a 15- or 20-Amp circuit breaker or slow blow fuse. It is recommended that a separate circuit serving only this range be provided.
- Where a standard two-prong wall receptacle is encountered, contact a qualified electrician to have it replaced with a properly grounded three-prong wall receptacle.
- This range is equipped with an electronic ignition system that will not operate if plugged into an outlet that is not properly polarized.
- Electronic ignition systems operate within wide voltage limits, but proper grounding and polarity are necessary. Check that the outlet provides 120-volt power and is correctly grounded.
- Do not use an extension cord or an adapter plug.
- Check local codes and consult gas supplier. Check existing electrical supply and gas supply. It is recommended that all electrical connections be made by a licensed, qualified electrical installer.
- Range must be connected to the proper electrical voltage and frequency as specified on the model/serial/rating plate. The plate is located behind the oven door on the oven frame, and also on the back panel of the range. Refer to the illustrations in the "Location Requirements" section.
- It is the personal responsibility of the range owner to provide the correct electrical service for this range.
- This gas range is not required or recommended to be plugged into a GFCI (Ground-Fault Circuit Interrupter) outlet. It is recommended that you not plug an electric spark ignition gas range or any other major appliance into a GFCI wall outlet as it may cause the GFCI to trip during normal cycling.
- Performance of this range will not be affected if operated on a GFCI-protected circuit. However, occasional nuisance tripping of the GFCI breaker is possible due to the normal operating nature of electronic gas ranges.
- The wiring diagram is located on the back of the range.

# GAS SUPPLY REQUIREMENTS

## WARNING



### FIRE AND EXPLOSION HAZARD

- Use a new CSA International approved gas supply line.
- Install a shut-off valve.
- Securely tighten all gas connections.
- If connected to LP, have a qualified person make sure gas pressure does not exceed the maximum pressure listed in this section.
- Examples of a qualified person include:
  - licensed heating personnel
  - authorized gas company personnel
  - authorized service personnel
- Failure to do so can result in death, explosion or fire.

### IMPORTANT:

- Observe all governing codes and ordinances.
- This installation must conform with all local codes and ordinances. In the absence of local codes, installation must conform with American National Standard, National Fuel Gas Code ANSI Z223.1/NFPA 54 - latest edition or CAN/CGA B149 - latest edition, or in Canada, the Natural Gas and Propane Installation Code, CSA B149.1 - latest edition.
- Leak testing of the range must be conducted according to the manufacturer's instructions. Do not use a flame to check for leaks.

## TYPE OF GAS

This range is design-certified by CSA International for use with Natural gas or, after proper conversion, for use with Propane (LP) gas.

### Natural Gas

This range is factory-set for use with Natural gas (NG). The model/serial/rating plate located behind the oven door on the oven frame and on the back panel of the range has information on the types of gas that can be used. If the types of gas listed do not include the type of gas available, check with the local gas supplier.

### Propane Gas (LP) Conversion

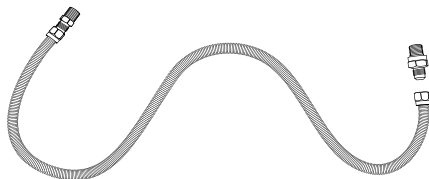
The LP conversion kit is sold separately. Conversion must be performed by a qualified service technician. The qualified agency performing this work assumes the gas conversion responsibility. No attempt shall be made to convert the appliance from the gas specified on the model/serial/rating plate for use with a different gas without consulting the serving gas supplier. See "Gas Conversion" section.

## GAS SUPPLY LINE

Provide a gas supply line of 3/4" (1.9 cm) rigid pipe to the range location. A smaller size pipe on longer runs may result in insufficient gas supply. Pipe-joint compounds that resist the action of LP gas must be used. With LP gas, piping or tubing size can be 1/2" (1.3 cm) minimum. Usually, LP gas suppliers determine the size and materials used in the system.

### Flexible Metal Appliance Connector

- If local codes permit, a new CSA design-certified, 4 - 5 ft (122 - 152.4 cm) long, 1/2" (1.3 cm) or 3/4" (1.9 cm) I.D., flexible metal appliance connector may be used for connecting range to the gas supply line. In Canada, flexible connectors must be single wall metal connectors less than 6 feet (182.9 cm) in length.



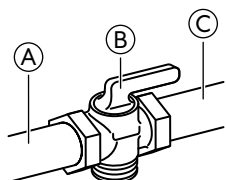
- A 1/2" (1.3 cm) male pipe thread is needed for connection to the female pipe threads of the inlet to the appliance pressure regulator.
- Do not kink or damage the flexible metal tubing when moving the range.

### Rigid Pipe Connection

- Since the range must be pulled away from the installation space to provide access to the gas regulator connections, and because hard piping restricts movement of the range, the range can only be installed using a CSA International-certified flexible metal appliance connector.
- If local codes require a hard-piped connection, a combination of pipe fittings must be used to connect the range to the existing gas line and maintain an accessible working space behind the range. Consult with a qualified local technician for an optimal connection suitable for your installation.

### Gas Shut-off Valve

A manual gas line shut-off valve must be installed in an easily accessible location. Do not block access to shut-off valve. The valve is for turning on or shutting off gas to the range.



- (A) Gas Supply Line
- (B) Shutoff Valve "Open" Position
- (C) To Range

### GAS PRESSURE REGULATOR

The gas pressure regulator supplied with this range must be used. The inlet pressure to the regulator should be as follows for proper operation:

	Natural gas	LP gas
Minimum pressure	4" WCP	10" WCP
Maximum pressure	7" WCP	11" WCP

Contact local gas supplier if you are not sure about the inlet pressure.

## **Burner Input Requirements**

Input ratings shown on the model/serial/rating plate are for elevations up to 2,000 ft (609.6 m).

For elevations above 2,000 ft (609.6 m), ratings are reduced at a rate of 4% for each 1,000 ft (304.8 m) above sea level (not applicable for Canada).

## **GAS SUPPLY PRESSURE TESTING**

Gas supply pressure for testing regulator must be at least 1" (2.5 cm) water column pressure above the manifold pressure shown on the model/serial/rating plate.

### **Line pressure testing above 0.5 psi gauge (14" WCP)**

The range and its individual shutoff valve must be disconnected from the gas supply piping system during any pressure testing of that system at test pressures in excess of 0.5 psi (3.5 kPa).

### **Line pressure testing at 0.5 psi gauge (14" WCP) or lower**

The range must be isolated from the gas supply piping system by closing its individual manual shutoff valve during any pressure testing of the gas supply piping system at test pressures equal to or less than 1/2 psi (3.5 kPa).

# INSTALLATION INSTRUCTIONS

**IMPORTANT:** This appliance shall be installed only by authorized persons and in accordance with the manufacturer's installation instructions, local gas fitting regulations, municipal building codes, electrical wiring regulations, local water supply regulations.

## REMOVE OLD APPLIANCE

### **WARNING**



#### **FIRE AND EXPLOSION HAZARD**

If the information in this manual is not followed exactly, a fire or explosion may result causing property damage, personal injury or death.

- Installation and service must be performed by a qualified installer, service agency or the gas supplier.
- **WHAT TO DO IF YOU SMELL GAS**
  - Do not try to light any appliance.
  - Do not touch any electrical switch.
  - Do not use any phone in your building.
  - Clear the room, building, or area of all occupants.
  - Immediately call your gas supplier from a neighbor's phone. Follow the gas supplier's instructions.
  - If you cannot reach your gas supplier, call the fire department.

## **⚠ WARNING**



### **ELECTRICAL SHOCK HAZARD**

- Remove house fuse or open circuit breaker to disconnect power before servicing. Failure to do so can result in death, fire, or electrical shock.

## **⚠ WARNING**

### **EXCESSIVE WEIGHT HAZARD**

- Use two or more people to move and install range. Failure to do so can result in back or other injury.

## **⚠ CAUTION**

### **LACERATION, FOREIGN OBJECT, CRUSH HAZARD**

- When installing, moving, or servicing any appliance, wear proper protective equipment, including cut resistant gloves, steel-toed shoes, and safety glasses.

1. Shut off the main gas supply valve to the residence before disconnecting the old range and leave it off until the new hookup has been completed.
2. Shut off the electrical supply to the old range at the breaker box or fuse box and leave it off until the installation has been completed.
3. Move appliance to access the gas and electrical connections.
4. Disconnect gas and electrical connections, and move appliance out of and away from installation space.



# UNPACK RANGE

## WARNING

### EXCESSIVE WEIGHT HAZARD

- Use two or more people to move and install range. Failure to do so can result in back or other injury.

1. Remove all tape and packaging materials. Check for film on stainless steel parts, padding/spacers on and around door and face of oven, cardboard and plastic on and around racks, etc. Failure to remove packaging materials could result in damage to the appliance. Do not dispose of anything until the installation is complete.

### NOTE:

- Do not remove any warning-type labels, the model and serial number label, or the Tech Sheet that is located on the back of the range.
- Do not use sharp instruments, rubbing alcohol, flammable fluids, or abrasive cleaners to remove tape or glue. These products can damage the surface of your range.
- Do not push or pull the range by grabbing the open oven door or cooktop only. Doing so can result in serious damage to the range.
- Do not lift the range using the cooktop or oven door handle. Doing so can cause damage and improper operation of the range.
- To reduce the weight of the range while being moved, adjusted, and installed, leave the cooktop grates, oven racks, and any other accessories to the side until they are ready to be installed later in these instructions.
- To further reduce the weight of the range while being moved, adjusted, and installed, detach the oven door from the range. See "Removing/Assembling Oven Door" section.

# INSTALL ANTI-TIP DEVICE

## WARNING

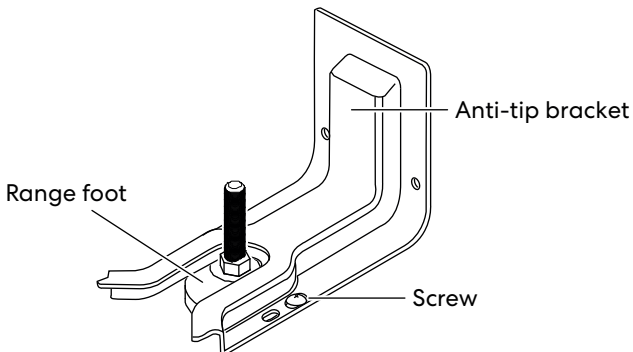


### TIP OVER HAZARD

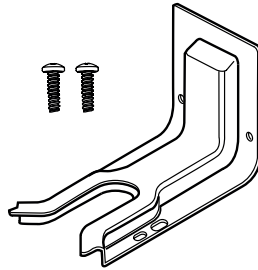
- A child or adult can tip the range and be killed.
- Install anti-tip bracket to floor or wall per installation instructions.
- Slide range back so rear range foot is engaged in the slot of the anti-tip bracket.
- Re-engage the anti-tip bracket if range is moved.
- Do not operate the range without anti-tip bracket installed and engaged.
- Failure to follow these instructions can result in death or serious burns to children and adults.

### IMPORTANT:

- An anti-tip bracket is provided with the range. The anti-tip bracket uses a rear range foot to secure the range to the floor or wall.
- Attach the anti-tip bracket to the floor or wall so that the rear range foot will be centered within the bracket when the range is pushed into its final position.



1. Locate and remove the anti-tip bracket and mounting screws from the parts bag.



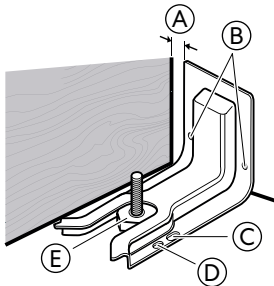
**NOTE:**

- The anti-tip bracket must be securely mounted to the subfloor or wall. The flooring's thickness may require longer screws to anchor bracket to subfloor.

2. Locate the preferred location for installation of the anti-tip bracket. Bracket may be installed at either the back-left or back-right corner of the installation space.

**NOTE:**

- Only one anti-tip bracket needs installed.



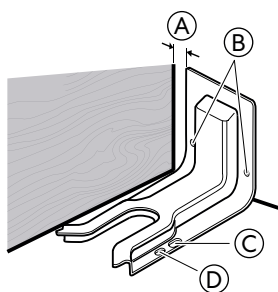
- Ⓐ Distance from Adjacent Cabinet (3/8" to 1/2" [0.95 cm to 1.27 cm])
- Ⓑ Wall Holes
- Ⓒ Concrete Floor Holes
- Ⓓ Wood Floor Holes
- Ⓔ Rear Range Foot

- Place the bracket so that the back of the bracket is against the rear wall and the side edge of the bracket is  $3/8"$  to  $1/2"$  from the adjacent cabinet.

**NOTE:**

- If there is no adjacent cabinet, place the bracket so that the edge of the bracket is  $3/8"$  to  $1/2"$  in from the range side panel. If the countertop overhangs the cabinet, offset the bracket from the cabinet by the depth of the overhang plus an additional  $3/8"$  to  $1/2"$ .

- Using the anti-tip bracket as a template, mark the two holes for either a Wood Floor, Concrete Floor, or Wall installation, as shown.

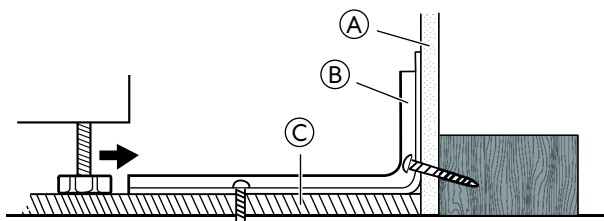


- (A) Distance from Adjacent Cabinet ( $3/8"$  to  $1/2"$  [0.95 cm to 1.27 cm])
- (B) Wall Holes
- (C) Concrete Floor Holes
- (D) Wood Floor Holes

- Drill two pilot holes where marked. Follow the instructions specific to your construction.

**NOTE:**

- A nail or awl may be used to create a pilot hole, if a drill is not available. For concrete construction  $1/4" \times 1 1/2"$  Lag Bolts and  $1/2"$  O.D. Sleeve Anchors are required.



- (A) Wall
- (B) Anti-tip Bracket
- (C) floor

## Wood

- Floor - Drill a 1/8" pilot hole, as shown.

### NOTE:

- Contact a qualified floor covering installer for the best procedure for drilling mounting holes through your type of floor covering.

- Wall - Drill an angled 1/8" pilot hole, as shown.

## Concrete

- Drill the size hole recommended for the anchors into the concrete at the center of the holes identified as Floor Concrete or Wall.

## 6. Install the anti-tip bracket.

## Wood

- Using the two screws (provided) fasten the anti-tip bracket to the floor or wall.

### NOTE:

- The screw must enter wood or metal.

## Concrete

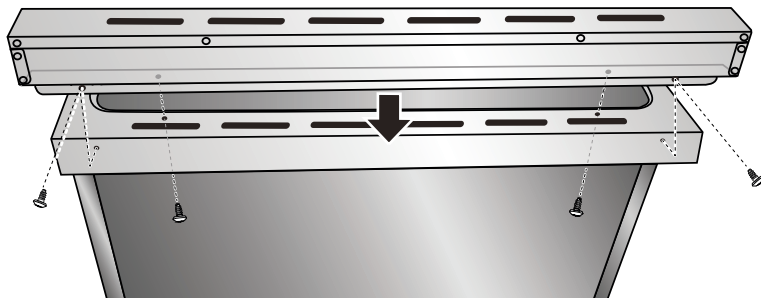
- Insert the sleeve anchor into the drilled holes and then insert the lag bolts through the anti-tip bracket and into the floor or wall. The bolts must be properly tightened as recommended for the hardware.

# INSTALL BACKSPLASH

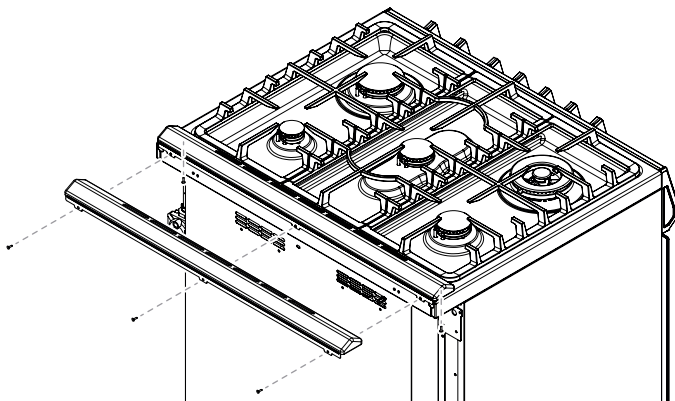
Be very careful not to scratch the surface of the unit. The appearance of the backsplash may vary from what is shown in the manual.

1. Install the backsplash to rear of range with the screws provided.

## COS-244AGC



## COS-305AGC



# INSTALL OVEN DOOR HANDLE

## (FOR UNITS WITHOUT THE HANDLE PRE-INSTALLED)

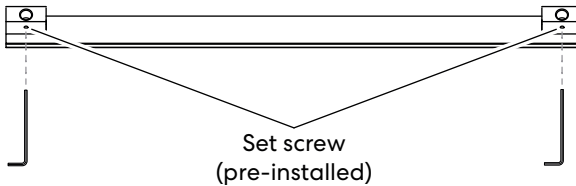
Be very careful not to scratch the surface of the unit. The appearance of the handle may vary from what is shown in the manual.

### Tool Needed

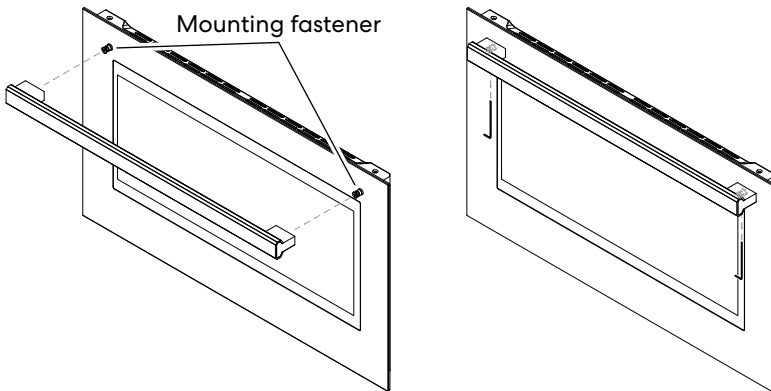
- Hex key (provided)

### Assembling Handle

1. Partially loosen the set screws installed in both ends of the handle with the Hex key.



2. Place the handle on the door by fitting the handle footprints over the mounting fasteners and tightening the set screws with the Hex key.



# GAS CONNECTION

## WARNING



### **FIRE AND EXPLOSION HAZARD**

- Use a new CSA International approved gas supply line.
- Install a shut-off valve.
- Securely tighten all gas connections.
- If connected to LP, have a qualified person make sure gas pressure does not exceed the maximum pressure listed in the "Gas Supply Requirement" section.
- Examples of a qualified person include:
  - licensed heating personnel
  - authorized gas company personnel
  - authorized service personnel
- Failure to do so can result in death, explosion or fire.

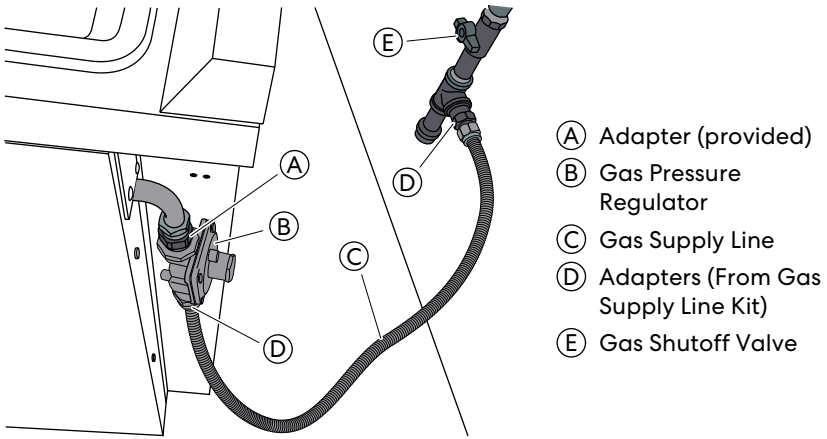
This appliance shall be installed only by authorized persons and in accordance with the manufacturer's installation instructions, local gas fitting regulations, municipal building codes, electrical wiring regulations, local water supply regulations. The agency performing this work assumes responsibility for the quality of work performed, including checking for leaks and ensuring installation meets code requirements.

This range is factory-set for use with Natural gas. To use this range with Propane gas, see the "Gas Conversion" section before connecting this range to the gas supply. Gas conversions from Natural gas to Propane gas or from Propane gas to Natural gas must be done by a qualified installer.

The gas pressure regulator supplied with this range must be used. See "Gas Supply Requirements" section for more details.



## TYPICAL FLEXIBLE CONNECTION



1. Make sure a manual gas line shut-off valve is installed in an easily accessible location.
2. Turn manual gas shut-off valve to the closed position.
3. Unplug range or disconnect power.
4. Apply pipe-joint compound made for use with NG/LP gas to the smaller thread ends of the flexible connector adapters.
5. Attach one adapter to the gas pressure regulator and the other adapter to the gas shutoff valve. Tighten both adapters, being certain not to move or turn the gas pressure regulator.

**NOTE:**

- Do not make connections to the gas regulator too tight. Overtightening may crack the regulator resulting in a gas leak and possible fire or explosion.

6. Use a 15/16" (2.4 cm) combination wrench and channel lock pliers to attach the flexible connector to the adapters. Check that connector is not kinked.

## TYPICAL RIGID PIPE CONNECTION

Since the range must be pulled away from the installation space to provide access to the gas regulator connections, and because hard piping restricts movement of the range, the range can only be installed using a CSA International-certified flexible metal appliance connector.

If local codes require a hard-piped connection, a combination of pipe fittings must be used to connect the range to the existing gas line and maintain an accessible working space behind the range. Hard-piped connections vary according to the supply line type, size and location. Consult with a qualified local technician for an optimal connection suitable for your installation.

## CONVERT TO LP GAS (OPTIONAL)

This range is shipped from the factory set up to use natural gas. It can be converted to operate on propane gas (LP) by a qualified service technician.

The LP conversion kit is sold separately. The conversion to LP requires all surface and oven burner gas orifices to be changed. In addition, the gas pressure regulator must also be adjusted for LP.

See "Gas Conversion" section for detailed instructions.

To order LP conversion kit, see "Optional Parts" in the "Tools and Parts" section.

### NOTE:

- All replaced orifices must be left with the consumer, including the instructions and retrofit sizes and orifice indication.

## COMPLETE GAS CONNECTION

1. Check that all range controls are in the OFF position.
2. Open the manual shut-off valve in the gas supply line. The valve is open when the handle is parallel to the gas pipe.
3. Test all connections by brushing on an approved noncorrosive leak-detection solution. If bubbles appear, a leak is indicated. Correct any leak found.

# COMPLETE INSTALLATION

## ELECTRICAL CONNECTION

### **WARNING**



#### **ELECTRICAL SHOCK HAZARD**

- Remove house fuse or open circuit breaker to disconnect power before servicing.
- Plug into a grounded 3-prong outlet.
- Do not use an adapter or an extension cord.
- Failure to do so can result in death, fire, or electrical shock.

#### **IMPORTANT:**

- The power cord of this appliance is equipped with a three-prong (grounding) plug which plugs into a standard three-prong grounding wall receptacle.
  - Where a standard two-prong wall receptacle is encountered, contact a qualified electrician to have it replaced with a properly grounded three-prong wall receptacle.
  - **DO NOT, UNDER ANY CIRCUMSTANCES, CUT OR REMOVE THE (THIRD) GROUNDING PRONG FROM THE PLUG.**
  - Before connecting the appliance to the power supply, make sure that the voltage and frequency listed on the rating label correspond with the household electrical supply. This data must correspond to prevent appliance damage. Consult an electrician if in doubt. It is the personal responsibility of the oven owner to provide the correct electrical service for this oven.
  - Do not use an extension cord or an adapter plug.
1. Check that all range controls are in the OFF position.
  2. Plug in range to a grounded 3-prong wall receptacle.

## PLACEMENT AND LEVELING RANGE

### **WARNING**

#### **EXCESSIVE WEIGHT HAZARD**

- Use two or more people to move and install range. Failure to do so can result in back or other injury.

### **CAUTION**

#### **LACERATION, FOREIGN OBJECT, CRUSH HAZARD**

- When installing, moving, or servicing any appliance, wear proper protective equipment, including cut resistant gloves, steel-toed shoes, and safety glasses.

#### **IMPORTANT:**

- Do not operate the range if its rear foot is not completely engaged in the anti-tip bracket. Never completely remove the leveling legs or the range will not be secured to the anti-tip device properly.
- Do not lift by the oven door handle or control knobs. Push, pull, or lift only on the body or structural areas, such as oven, oven face, or back corners of range.
- Do not move unit by pushing or pulling on the door or control panel. Grasp the left/right door area to push the unit.
- Move range by lifting, not sliding, to prevent damage to floors.
- Use a belt when moving the range to prevent damaging the floor, or use cardboard, plywood, or stiff plastic to protect floors if sliding is necessary.
- Be careful not to pinch or kink the gas or electrical connections. If unit does not move in smoothly, check for obstructions. Do not attempt to force the unit into position.

Getting the unit properly placed in the installation space and level may require multiple attempts. It is recommended to measure and adjust leveling legs carefully before placing into the installation space, as the leveling legs may be difficult to adjust once the range is in its final position.

**NOTE:**

- To reduce the weight of the range while being moved, adjusted, and installed, leave the cooktop grates, oven racks, and any other accessories to the side until they are ready to be installed later in these instructions.
- To further reduce the weight of the range while being moved, adjusted, and installed, detach the oven door from the range. See "Removing/Assembling Oven Door" section.

1. Use tape measure to measure from the floor to the top of the countertop at all four corners of the installation space.
2. While range is still positioned outside the installation space, rotate the lower part of the leveling leg at each corner so that the distance from the floor to the underside of the cooktop edge matches the dimensions measured in the installation space.
3. Using 2 or more people, gently move range into its final installation location, making sure rear leveling leg slides into the anti-tip bracket. Leave a 1" (2.5 cm) gap between the back of the range and the back wall.
4. Check to ensure the flexible metal gas connector and electrical cord are not kinked.
5. Place the level diagonally on the oven bottom or oven rack, and check each diagonal direction for level. Adjust the leveling legs as necessary.

**NOTE:**

- The range must be level for optimum cooking and baking performance.

6. Reassemble oven door and insert oven racks if they were previously removed. See "Removing/Assembling Oven Door" section.

## VERIFY ANTI-TIP BRACKET ENGAGEMENT

Do not operate the range without anti-tip bracket installed and engaged.

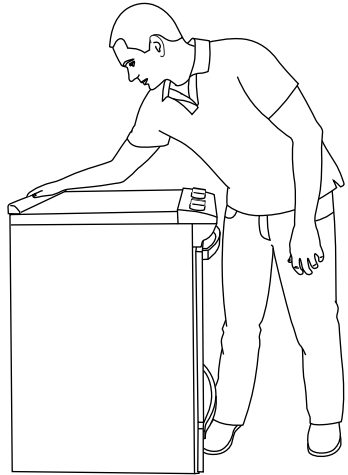
### IMPORTANT:

- If the range is pulled away from the wall for any reason, always verify anti-tip bracket engagement again.

1. Place the outside of your foot against the bottom of the front panel to keep the range from moving, and then grasp the back of the range, as shown.

2. Carefully and slowly attempt to tilt the range forward.

- If you encounter immediate resistance, the range foot is engaged in the anti-tip bracket. Range installation is completed.
- If the rear of the range lifts more than 1/2" (1.3 cm) off the floor without resistance, stop tilting the range and lower it gently back to the floor. The range foot is not engaged in the anti-tip bracket. Proceed to Steps 3 and 4.



**IMPORTANT:** If there is a snapping or popping sound when tilting the range, the range may not be fully engaged in the bracket. Check to see if there are obstructions keeping the range from sliding to the wall or keeping the range foot from sliding into the bracket. Verify that the bracket is held securely in place by the mounting screws.

3. Slide the range forward, and verify that the anti-tip bracket is securely attached to the floor or wall.

4. Slide range back so the rear range foot is inserted into the slot of the anti-tip bracket.

## REMOVING/ASSEMBLING OVEN DOOR

For normal range use, it is not suggested to remove the oven door. However, if removal is necessary, make sure the oven is off and cool.

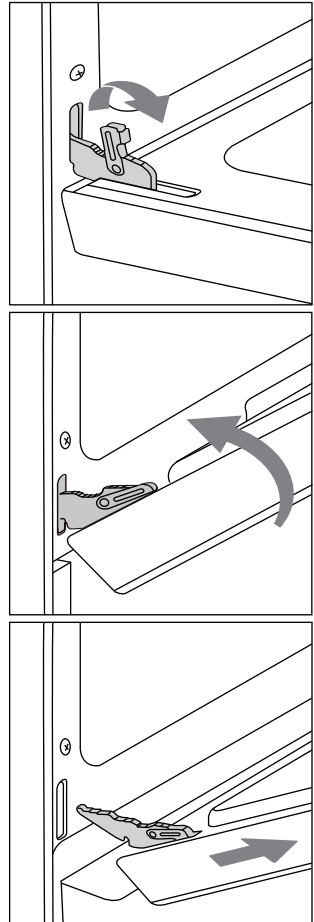
### NOTE:

- The oven door is heavy.
- If door is removed, confirm that door operates correctly and seals properly when reinstalled. If door gasket does not seal completely, heat escaping from around doors could ignite cabinetry.

### Removing Door

1. Fully open the oven door.
2. Unlock the hinge locks on both sides, rotating them as far toward the open door frame as they will go.
3. Firmly grasp both sides of the door.
4. Close the door to the removal position, which is approximately five degrees or 2-3 inches from being fully closed. If the position is correct, the hinge arms will move freely.
5. Lift door up and out until the hinge arms are clear of the slots.

**IMPORTANT:** Do not lift door by door handle.

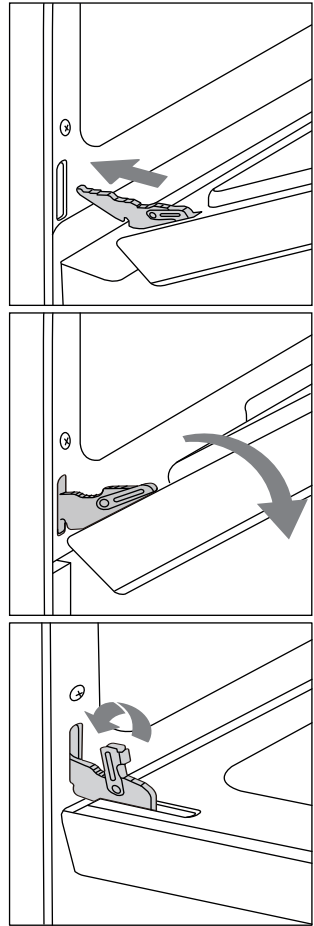


## Assembling Door

1. Firmly grasp both sides of the door.
2. With the door at the same angle as the removal position, which is approximately five degrees or 2-3 inches from being fully closed, seat the indentation of the hinge arms into the bottom edge of the hinge slots. The notch in the hinge arms must be fully seated into the bottom edge of the slots.

**IMPORTANT:** Do not lift door by door handle.

3. Open the door fully. If the door will not open fully, the indentation is not seated correctly in the bottom edge of the slots.
4. Lock the hinge locks, rotating them back toward the slots in the oven frame until they lock.
5. Close the oven door. Check that the door is free to open and close and is level while closed.



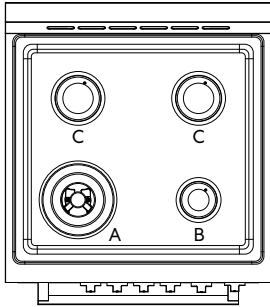


## ASSEMBLING THE SURFACE BURNERS AND GRATES

**IMPORTANT:** Do not operate the burners without all parts in place.

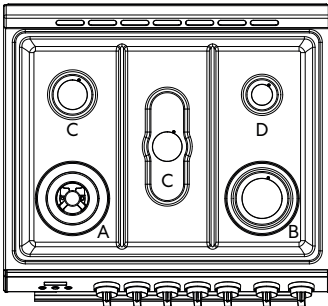
1. Check that all range controls are in the OFF position.
2. If the surface burner bases and caps are not already installed, remove them from package containing parts.
3. Align and place the burner bases and caps in the correct locations.

### COS-244AGC (24")



- A. Triple Ring (X-Large)
- B. Auxiliary (Small)
- C. Semi Rapid (Medium)

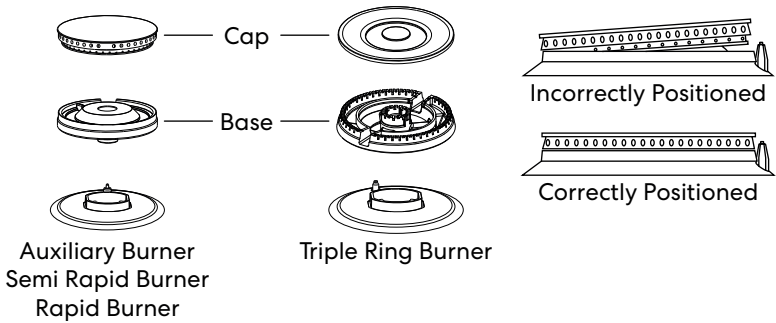
### COS-305AGC (30")



- A. Triple Ring (X-Large)
- B. Rapid (Large)
- C. Semi Rapid (Medium)
- D. Auxiliary (Small)

**NOTE:**

- Align notches in burner caps with pins in burner base.
- Make sure the hole in the burner base is positioned over the igniter.
- Burner caps should be level when properly positioned. If burner caps are not properly positioned, surface burners will not light.
- The burner cap should not rock or wobble when properly aligned.

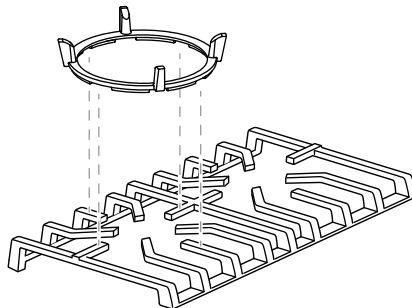


4. Remove any packaging materials on burner grates if present, and place burner grates over burner bases and caps.

**NOTE:**

- The burner grates must be properly positioned before cooking. Improper installation of the grates may result in scratching of the cooktop and/or poor combustion.

5. (Optional) If provided, place the wok grate on top of the burner grate, aligning the notches on the wok grate with the burner grate's fingers.

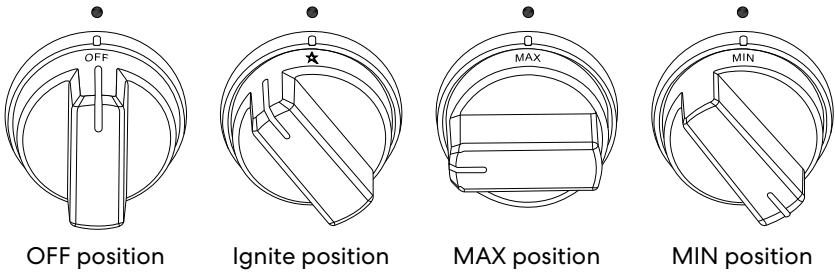


## CHECKING OPERATION OF THE SURFACE BURNERS

Cooktop burners use electronic igniters. When the cooktop control knob is turned to the ignite position, the system creates a spark to light the burner. All or some other cooktop burners will spark, but only the burner with the control knob turned to the ignite position will produce a flame. This sparking continues as long as the control knob is turned to the ignite position.

### STANDARD SURFACE BURNERS

The appearance of the knobs may vary from what are shown below.

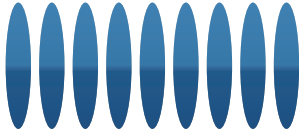


1. For each burner, one at a time, push in and turn control knob to the ignite position, and turn control knob to the highest setting after the burner is lit.
2. The flame should light within 4 seconds. The first time a burner is lit, it may take longer than 4 seconds to light because of air in the gas line.
3. For each burner, one at a time, rotate the knob quickly to the lowest setting - confirm that the flame is not extinguished.
4. With one burner still at the lowest setting (and all others at highest setting), quickly open and close the oven door - confirm that the flame is not extinguished.
5. Compare flame height at the highest and lowest setting - confirm flame height is sufficiently reduced when turned to the lowest setting.

In other words, confirm that the lowest setting is sufficiently low for the size of the burner being tested. If burner flame is extinguished during any of the above tests, or if the burner flame needs to be adjusted for any of the burners, see the "Adjust Flame Height" section.

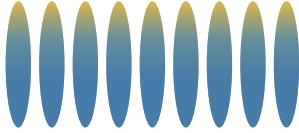
## QUALITY OF FLAMES

The combustion quality of the burner flames needs to be confirmed visually.



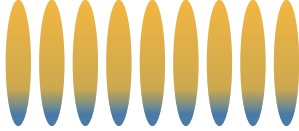
### **Soft blue flames**

This is normal for natural gas.



### **Yellow tips on outer cones**

This is normal for LP gas.



### **Yellow flames**

This is abnormal for any gas operation.  
Call for service.

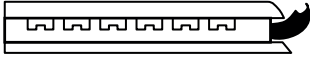
### **If Burners Do Not Light Properly:**

1. Turn cooktop control knob to the OFF position.
2. Check that the range is plugged into a grounded 3 prong outlet. Check that the circuit breaker has not tripped or the fuse has not blown.
3. Check that the gas shut-off valves are set to the open position.
4. Check that burner caps are properly positioned on burner bases.

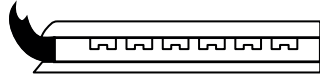
Repeat start-up. If a burner does not light at this point, turn the control knobs to the OFF position and contact your dealer or authorized service company for assistance.

## ADJUST FLAME HEIGHT

Check and adjust the height of surface burner flames. The cooktop "low" burner flame should be a steady blue flame approximately 1/4" (6 mm) high. Propane gas flames have a slightly yellow tip.



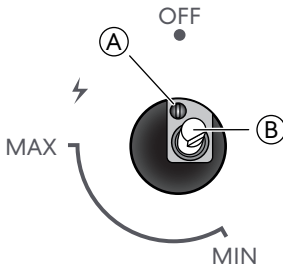
Low flame



High flame

### To adjust standard burner:

The flame can be adjusted using the adjustment screw in the center of the valve stem. The valve stem is located directly behind the control knob.



- (A) Adjustment Screw
- (B) Control Knob Stem

**IMPORTANT:** Adjustments must be made with all other burners in operation on the highest setting. This prevents the flames from being set too low, resulting in the flame being extinguished when other burners are turned on.

1. Light two other burners and turn to the medium setting.
2. Light the burner and turn the knob to the lowest setting (MIN).
3. Pull straight out and remove the control knob.

#### NOTE:

- If the adjustment screw is covered by cushioning, gently push cushioning to the side to unveil the adjustment screw in the lower right of the control knob stem.

4. Use a small flat-blade screwdriver to turn the screw located next to the control knob stem until the flame is the proper size.
  - Turning the screw clockwise will decrease the flame size.
  - Turning the screw counterclockwise will increase the flame size.
5. Replace the control knob.
6. Test and check the flame by turning the control knob from the lowest to the highest settings.
7. Repeat the previous steps for each burner.

**NOTE:**

- For burners (on older units) with safety valve, make sure that the regulation obtained is sufficient to maintain heating of the thermocouple. If it is not, increase the minimum flame.

## **ABNORMAL OPERATION**

**ANY OF THE FOLLOWING ARE CONSIDERED TO BE ABNORMAL OPERATION AND MAY REQUIRE SERVICING:**

- Yellow burner flames.
- Sooting up of cooking utensils.
- Burners not igniting properly.
- Burners failing to remain lit.
- Burners extinguished by oven door.
- Gas valves, which are difficult to turn.

**IN CASE THE APPLIANCE FAILS TO OPERATE CORRECTLY, CONTACT THE AUTHORIZED SERVICE PROVIDE IN YOUR AREA.**

**THE BURNERS REQUIRE NO REGULATION OF THE PRIMARY AIR.**

## CHECKING OPERATION OF THE OVEN

Oven burners do not require any adjustment. The appearance of the knobs may vary from what are shown here.

**IMPORTANT:** Clock must be set in order for the timed oven functions to work.

Your model has a digital display clock with 3 control buttons.

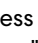
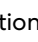
### NOTE:

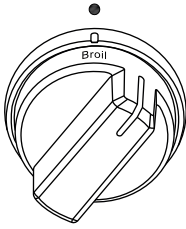
- Ensure door is closed, all packaging is removed, and oven is empty except for oven rack(s).

### To Set the Time of Day

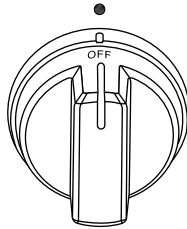
When the power is connected or after a power outage, the screen will display 12.00 and the indicator bar above "Set Clock" will blink.



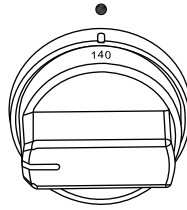
1. If the clock was previously set, press the  function button repeatedly until the indicator bar blinks above "Set Clock".
2. Press or hold the + or - button to adjust the clock. The clock will be confirmed automatically if you leave the correct time there for 5 seconds without pressing any buttons, and the indicator bar will become solid. You may also press the  function button to confirm the clock manually while the indicator bar is blinking.



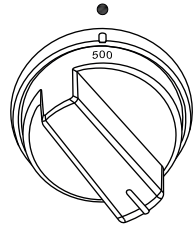
Broil position



OFF position



Bake (140°F)  
position



Bake (500°F)  
position

### To Check Broil Burner:

1. Keep the oven door closed.
2. Turn the oven mode knob to select **Broil**. Burner should light in 30 to 60 seconds. Let the oven run for 10 minutes.
3. Turn the oven mode knob to OFF position to stop the Broil mode.

### To Check Bake Burner:

1. Keep the oven door closed.
2. Turn the oven mode knob to select **350°F (Bake)**. Burner should light in 30 to 60 seconds. Let the oven run for 10 minutes.
3. Turn the oven mode knob to OFF position to stop the Bake mode.



# GAS CONVERSION

## WARNING



### FIRE AND EXPLOSION HAZARD

- Use a new CSA International approved gas supply line and install a shut-off valve for new installations.
- Securely tighten all gas connections.
- If connected to LP, have a qualified person make sure gas pressure does not exceed the maximum pressure listed in the "Gas Supply Requirement" section.
- Examples of a qualified person include:
  - licensed heating personnel
  - authorized gas company personnel
  - authorized service personnel
- Failure to do so can result in death, explosion or fire.

## WARNING



### TIP OVER HAZARD

- A child or adult can tip the range and be killed.
- Install anti-tip bracket to floor or wall per installation instructions.
- Slide range back so rear range foot is engaged in the slot of the anti-tip bracket.
- Re-engage the anti-tip bracket if range is moved.
- Do not operate the range without anti-tip bracket installed and engaged.
- Failure to follow these instructions can result in death or serious burns to children and adults.

This range is factory-set for use with Natural gas (NG). The Propane gas (LP) conversion kit is sold separately. To order LP conversion kit, see "Optional Parts" in the "Tools and Parts" section.

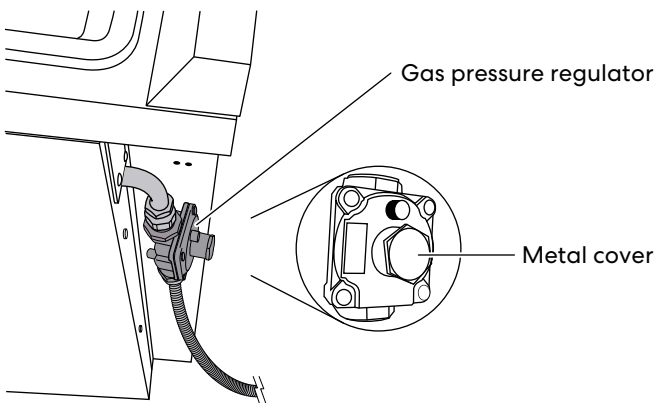
**IMPORTANT:** Gas conversions must be done by a qualified service technician in accordance with the manufacturer's instructions and all codes and requirements of the authority having jurisdiction. The qualified agency performing this work assumes the gas conversion responsibility.

## CONVERT GAS PRESSURE REGULATOR

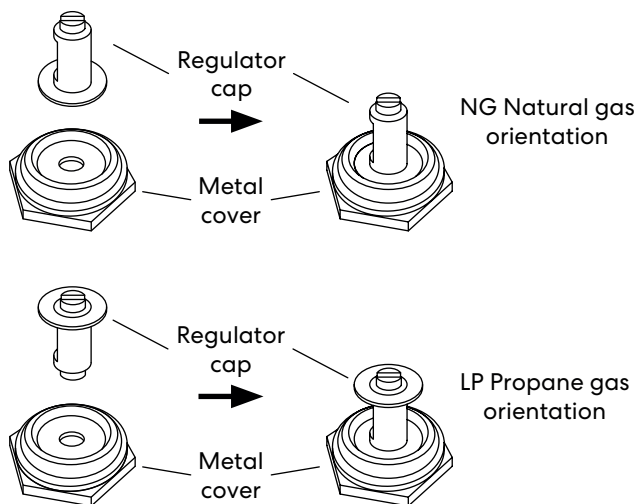
1. Turn manual shutoff valve to the closed position.
2. Unplug range or disconnect power.
3. Move the range out from the wall or installation space. Locate the gas pressure regulator on the back of the range.

**IMPORTANT:** Do not remove the gas pressure regulator.

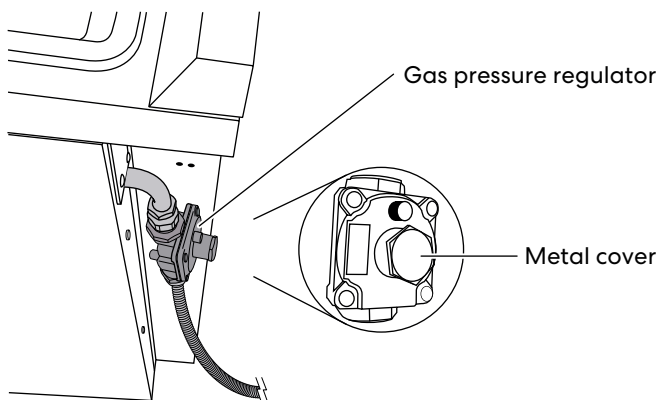
4. Unscrew the metal cover in the center of the gas pressure regulator with a wrench.



5. Remove the regulator cap on the metal cover. Orient the regulator cap for the fuel type being used and place it back into the metal cover.



6. Screw and tighten the metal cover back into the gas pressure regulator with a wrench.



**NOTE:**

- If converting to propane from natural gas, please apply a label sticker with "LP Converted" notice on or near the regulator cover. If converting back to natural gas from propane, please remove the sticker so others know the appliance is set to use natural gas.

## CONVERT SURFACE BURNERS

**IMPORTANT:** Make sure to save the orifices that have just been replaced in the conversion.

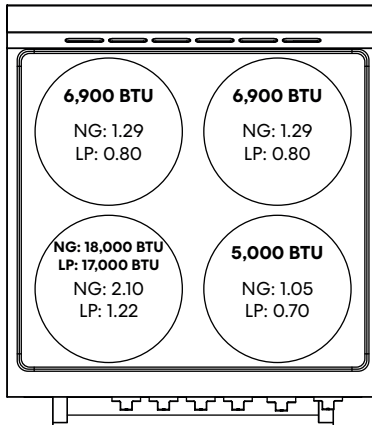
### Tool Needed

- 9/32" (7 mm) nut driver

### NG/LP Orifice Chart for Surface and Oven Burners

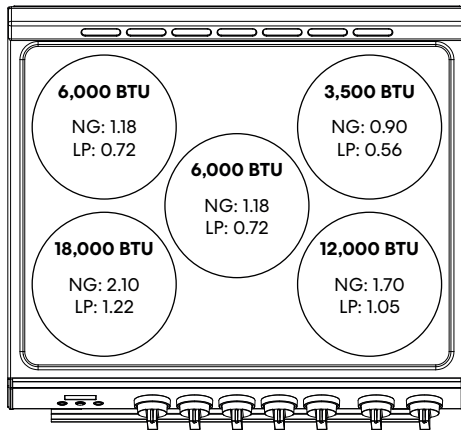
#### COS-244AGC (24")

Burner Placement	NG Orifice Size (mm)	LP Orifice Size (mm)	Rating (BTU/h)
Front Left	2.10	1.22	NG: 18,000 / LP: 17,000
Front Right	1.05	0.70	5,000
Rear Left	1.29	0.80	6,900
Rear Right	1.29	0.80	6,900
Oven Top	1.15	0.72	5,800
Oven Bottom	1.40	0.85	8,500

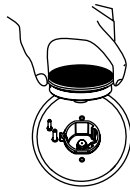


**COS-305AGC (30")**

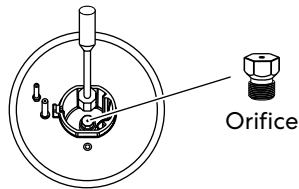
<b>Burner Placement</b>	<b>NG Orifice Size (mm)</b>	<b>LP Orifice Size (mm)</b>	<b>Rating (BTU/h)</b>
Front Left	2.10	1.22	18,000
Front Right	1.70	1.05	12,000
Middle	1.18	0.72	6,000
Rear Left	1.18	0.72	6,000
Rear Right	0.90	0.56	3,500
Oven Top	1.29	0.83	7,500
Oven Bottom	1.85	1.16	15,000



1. If installed, remove burner grates, burner caps, and burner bases.

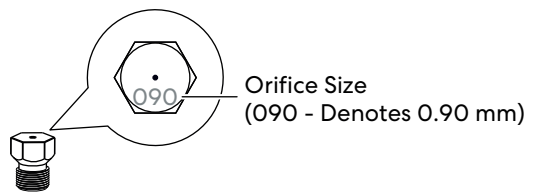


2. Remove the existing orifices with a 9/32" (7 mm) nut driver.

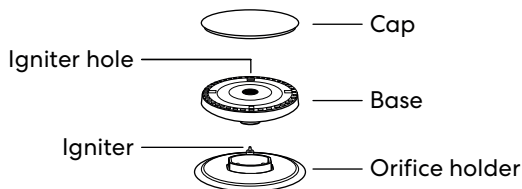


3. Replace the orifices with the correct fuel type orifices. Gas orifices are stamped with a size number. Refer to the orifice chart earlier for correct NG and LP gas orifice sizes and proper placement.

**IMPORTANT:** Keep and store the orifices that have just been replaced in case of re-installation with another gas.



4. Replace the burner bases, burner caps, and burner grates.



## CONVERT OVEN BURNERS

This product cannot be converted to Natural gas (NG) or Propane gas (LP) by adjusting or tightening the oven orifices. The orifices must be replaced.

To gain better access to the oven components, the oven door may be detached from the range. See "Removing/Assembling Oven Door" section.

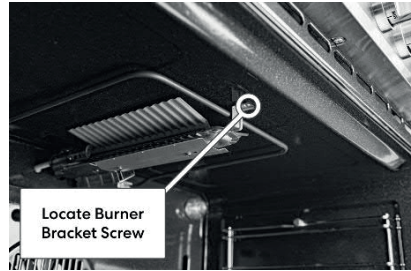
### Tool Needed

- 3/8" (9.5 mm) combination wrench

### Converting Broil Burner

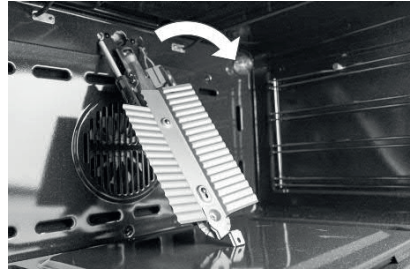
#### 1. Unscrew Front Bracket

Locate the bracket at the front of the broiler. Remove the screw.



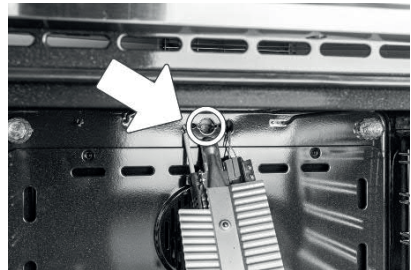
#### 2. Remove the Burner

Carefully slide the burner forward and out of the socket, without severing or damaging the wire attached. Carefully lay the burner down as shown in the image to the right.



#### 3. Change the Burner Orifice

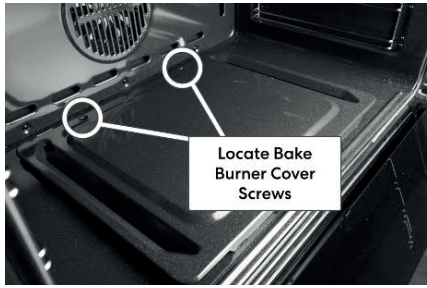
With the burner out of the way look for the orifice as shown. Continue with changing the orifice.



## Converting Bake Burner

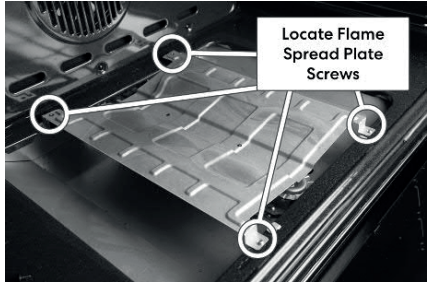
### 1. Remove Bake Burner Cover

Open your oven door and unscrew the back two screws of bake burner cover. Remove the bake burner cover.



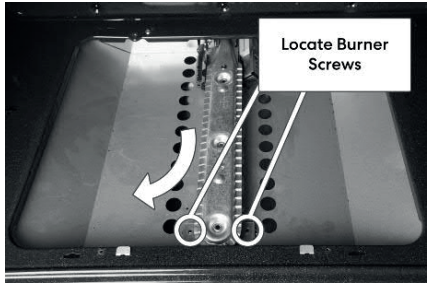
### 2. Remove Flame Spread Plate

Unscrew the four screws of the flame spread plate. Remove the flame spread plate.



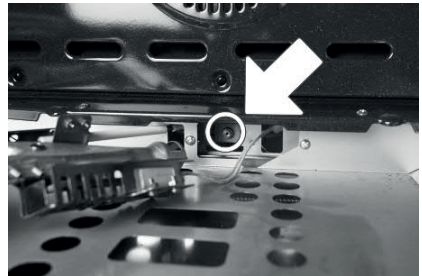
### 3. Slide Out Burner

Unscrew the front two screws holding the burner in place. Slide out the burner up and towards oven door out of the socket, careful not to sever or pull on the wire.



### 4. Change the Burner Orifice

Move the burner carefully to gain access to the burner orifice, careful not to sever or pull on the wire. Proceed with changing the orifice.





## COMPLETE GAS CONVERSION

1. Open shutoff valve in the gas supply line.
2. Plug in range or reconnect power.
3. Refer to:
  - "Gas Connection" section in the "Installation Instructions" section for proper connection of the range to the gas supply.
  - "Complete Installation" section to complete this procedure.
  - "Adjust Flame Height" section for surface burner flame adjustments.

**IMPORTANT:** You may have to adjust the low setting for each cooktop burner.

## **IMPORTANT**

### **Do Not Return This Product To The Store**

If you have a problem with this product, please contact COSMO Customer Support at

**+1 (888) 784-3108**

DATED PROOF OF PURCHASE, MODEL #, AND SERIAL # REQUIRED FOR WARRANTY SERVICE.

## **IMPORTANT**

### **Ne pas Réexpédier ce Produit au Magasin**

Pour tout problème concernant ce produit, veuillez contacter le service des consommateurs Cosmo Customer Support au

**+1 (888) 784-3108**

UNE PREUVE D'ACHAT DATEE EST REQUISE POUR BENEFICIER DE LA GARANTIE.

## **IMPORTANTE**

### **No regrese este producto a la tienda**

Si tiene algún problema con este producto, por favor contacte el ayuda al cliente COSMO al

**+1 (888) 784-3108**

(Válido solo en E.U.A.)

NECESITA UNA PRUEBA DE DE COMPRA FECHADA, NÚMERO DE MODELO Y DE SERIE PARA EL SERVICIO DE LA GARANTÍA.



#### **Correct disposal of this product:**

This marking indicates that this appliance should not be disposed with other household wastes. To prevent possible harm to the environment or human health from uncontrolled waste disposal, recycle it responsibly to promote the sustainable reuse of material resources.

# MEMO

A series of horizontal dashed lines for writing.



**APPLIANCES**

Cosmo is constantly making efforts to improve the quality and performance of our products, so we may make changes to our appliances without updating this manual.

Electronic version of this manual is available at:  
[www.cosmoappliances.com](http://www.cosmoappliances.com)