

**installation instructions:**

# TIMBERTHANE CORBELS

## SAFETY INSTRUCTIONS

Make sure to use the correct tools recommended.

Wear safety goggles.

Follow fixture, power tools, and paint manufacturers' instructions and users manuals.

Use common sense and follow good construction practices.

Corbels are not load-bearing, decorative use only.

## TOOL & MATERIAL CHECKLIST

- |   |                                       |
|---|---------------------------------------|
| <input type="checkbox"/> Electric Drill           | <input type="checkbox"/> Adhesive     |
| <input type="checkbox"/> Drill bit for pilot hole | <input type="checkbox"/> Caulking gun |
| <input type="checkbox"/> Countersink bit          | <input type="checkbox"/>              |
| <input type="checkbox"/> Screws                   |                                       |
| <input type="checkbox"/> Caulk                    |                                       |
| <input type="checkbox"/> Wood blocks              |                                       |

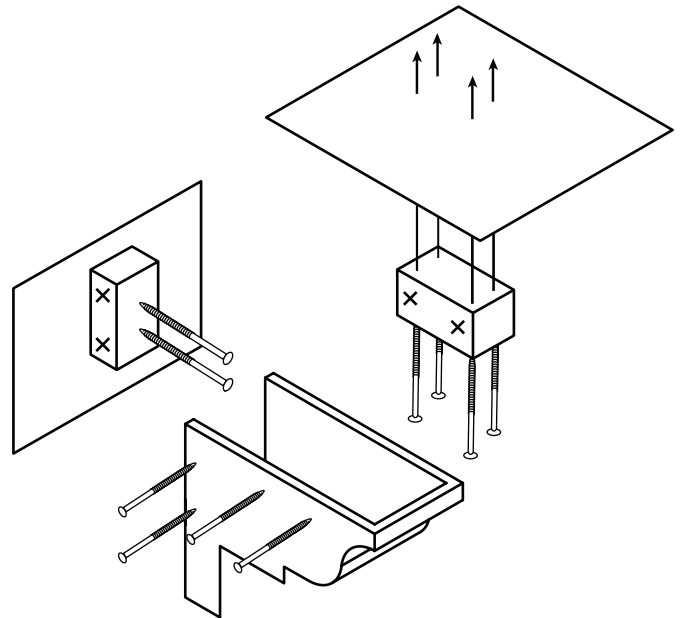
## IMPORTANT INFO

- Clean installation surface and corbel of all dirt and dust with a clean cloth or dry sponge.
- It is highly recommended that you paint/finish our brackets before installation.
- Once installed, you can apply any necessary touch-up paint/finish.
- Measure and mark the location where the bracket is going to be installed.
- All FiberThane brackets are decorative only and are built as solid hollow channels to slip over wood blocking strips for easy installation.
- Wood blocking strips should fit snugly into the back of corbel.

## INSTALL INSTRUCTIONS:

1. Attach wood blocks to surface with screws.
2. The top and back pieces of corbel will easily "slip" over wood blocking strips.
3. Screw through side of bracket into wood blocks to properly secure.
4. Use caulk to seal edges of bracket against surface after installation.
5. Fill in any holes with caulk and smooth the surface with finger.
6. Let caulk dry. Once dry, lightly sand with extra fine sandpaper.
7. Touch-up bracket with paint as needed.

## EXAMPLE DIAGRAM:



Industry leading manufacturer of urethane, PVC, wood, rustic, and metal millwork

We Can Help. Call (866) 607-0453

[www.ekenamillwork.com](http://www.ekenamillwork.com)