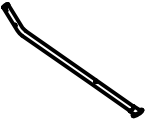

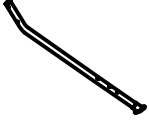
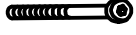

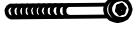
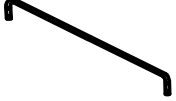


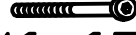

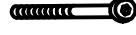


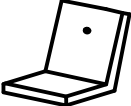




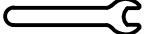






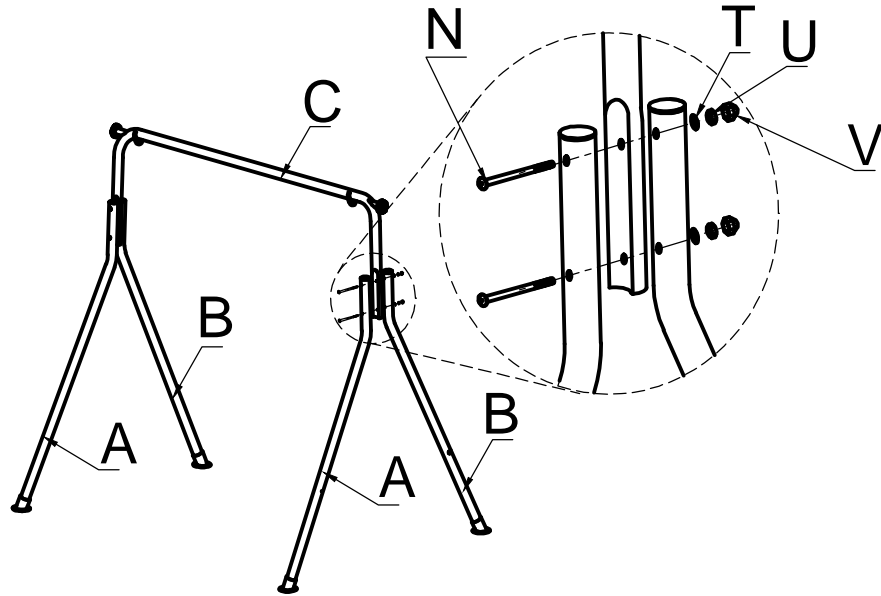
USAM/SW-2B

Part List-1/4

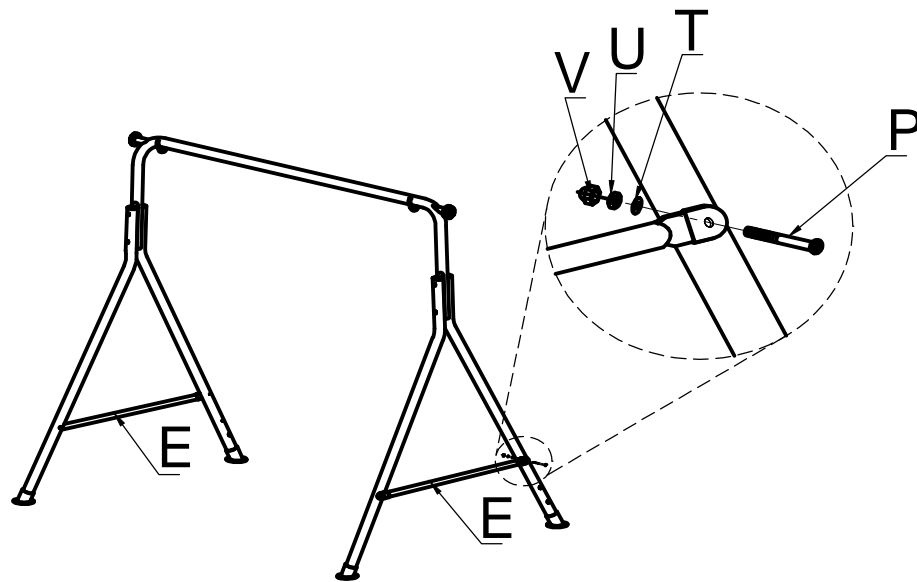
A		2PCS	N	 M6*86	4PCS
B		2PCS	O	 M6*36	2PCS
C		1PC	P	 M6*50	4PCS
D		1PC	Q	 M6*58	2PCS
E		2PCS	R	 M6*65	4PCS
F		4PCS	S	 M6*62	2PCS
G		1PC	T		18PCS
H		2PCS	U		18PCS
I		2PCS	V		18PCS
J		1PC	AA		1PC
K		2PCS	BB		1PC
L		2PCS			
M		2PCS			

Double Swing -2/4

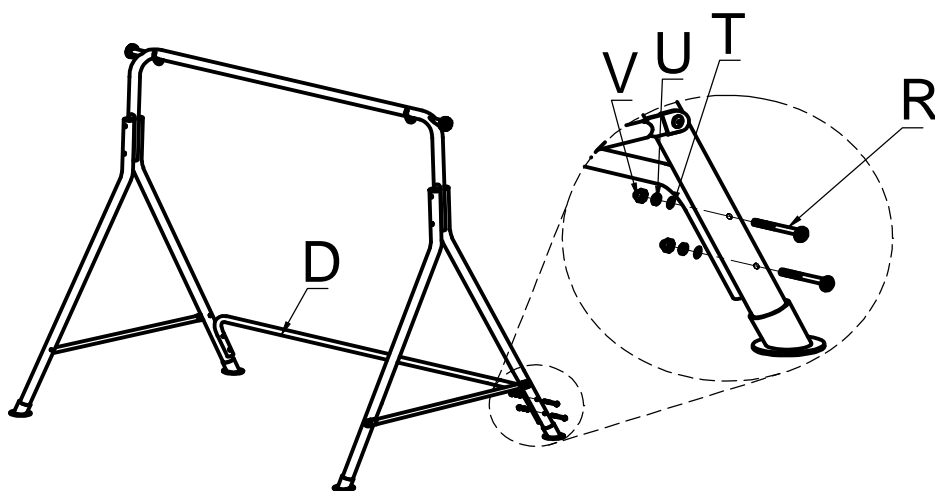
1



2

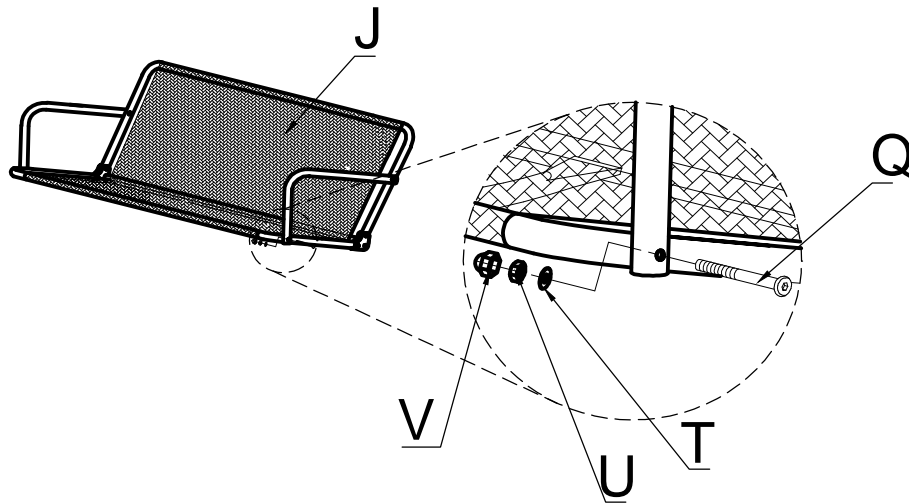


3

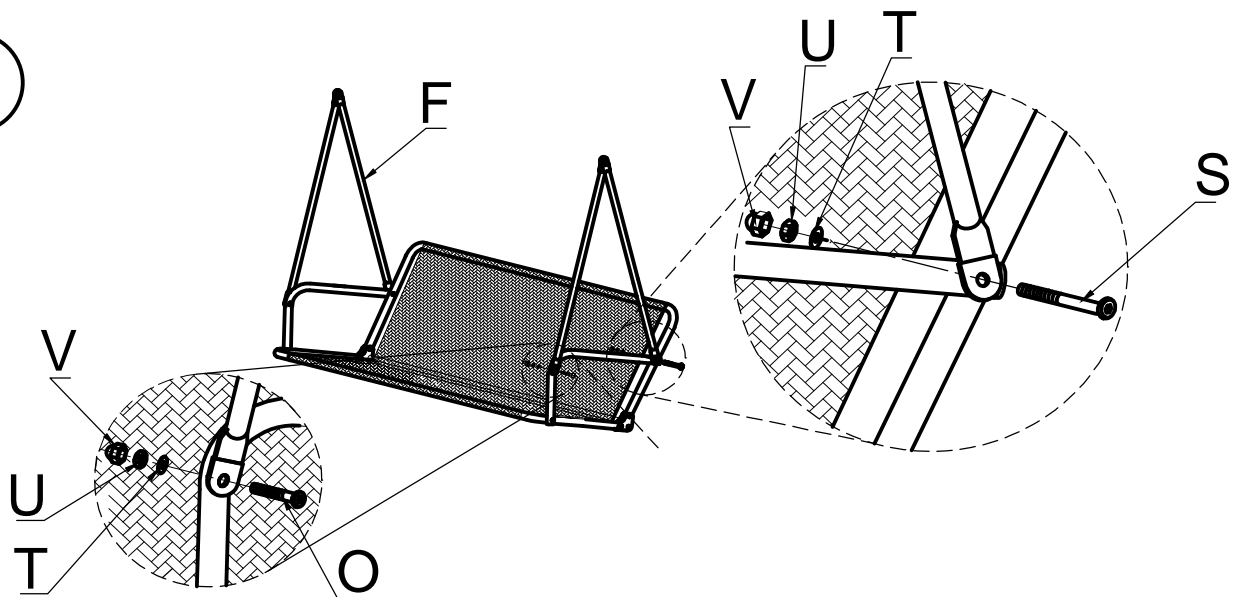


Double Swing -3/4

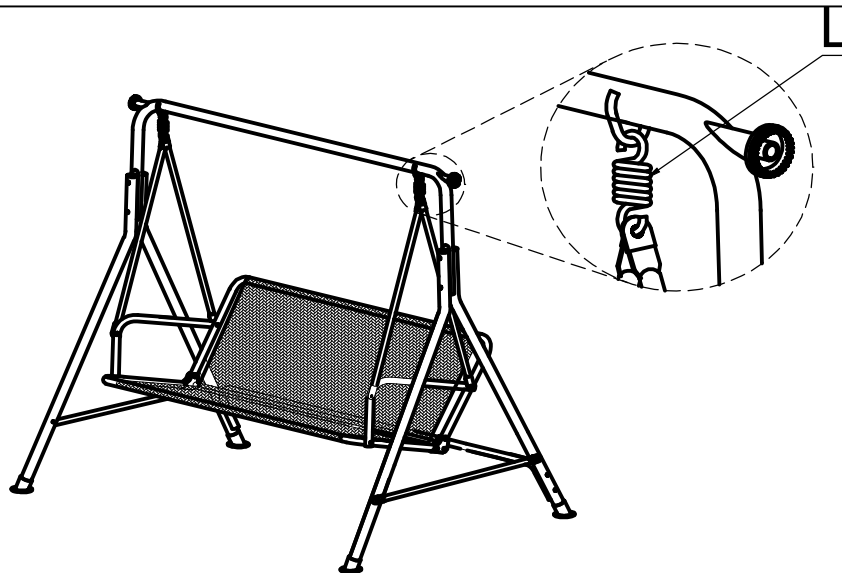
4



5



6



Double Swing -4/4

7

