

Thank you for choosing Sunnydaze Decor. We stand behind our brand and the quality of the items we sell. Replacement parts or products will be sent at our discretion within the 1-year warranty period. Proof of purchase, with the date of purchase as well as photos of the merchandise defect, must be provided. Photos are used to determine the cause of defects and for future quality control. Register your warranty at [www.serenityhealth.com/warranty/](http://www.serenityhealth.com/warranty/)

If you have any questions, comments or concerns, feel free to contact us by phone at 888-881-4668, by email: [customerservice@serenityhealth.com](mailto:customerservice@serenityhealth.com), or via our contact us page at [www.SerenityHealth.com/contact-us/](http://www.SerenityHealth.com/contact-us/)

# C-STAND FOR HANGING HAMMOCK CHAIR HSHC

Read all assembly and care instructions carefully before using this product.  
Save these instructions for future reference.

Select a smooth, level surface to place the hammock chair stand.  
Assemble components on a soft, clean surface to avoid scratching/damaging the finish.

**⚠ CAUTION ⚠**


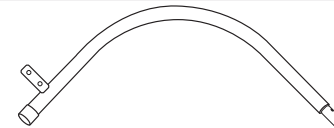
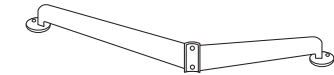

*This hammock chair stand is not designed for use as a swing. Bouncing, swinging, or any other significant movement while in use may cause serious injury.*









*This stand must be on a level, stable surface. Make sure all hardware is securely tightened before each use.*


**Weight Limit: 300 lbs.**

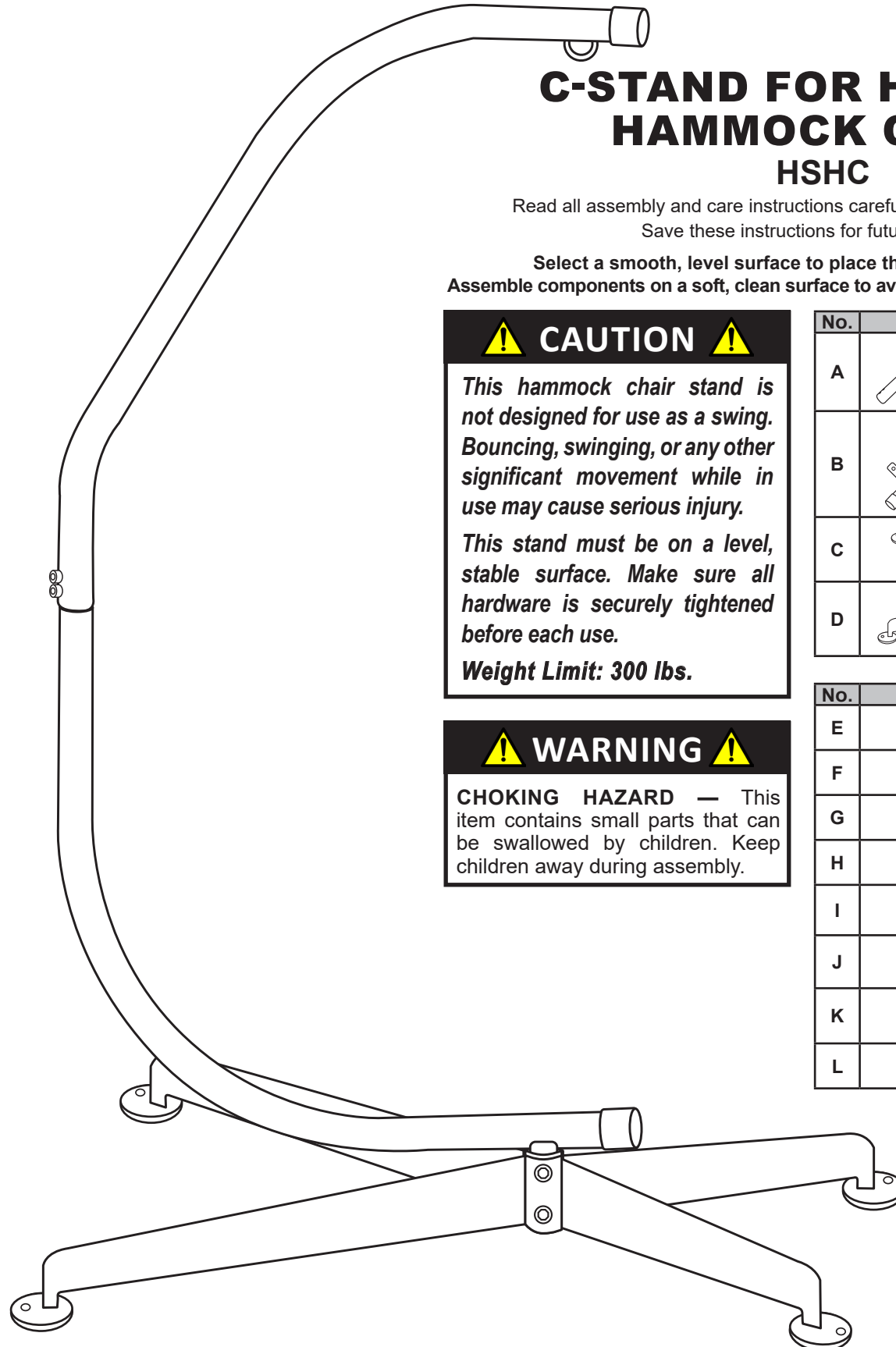
**⚠ WARNING ⚠**

**CHOKING HAZARD** — This item contains small parts that can be swallowed by children. Keep children away during assembly.

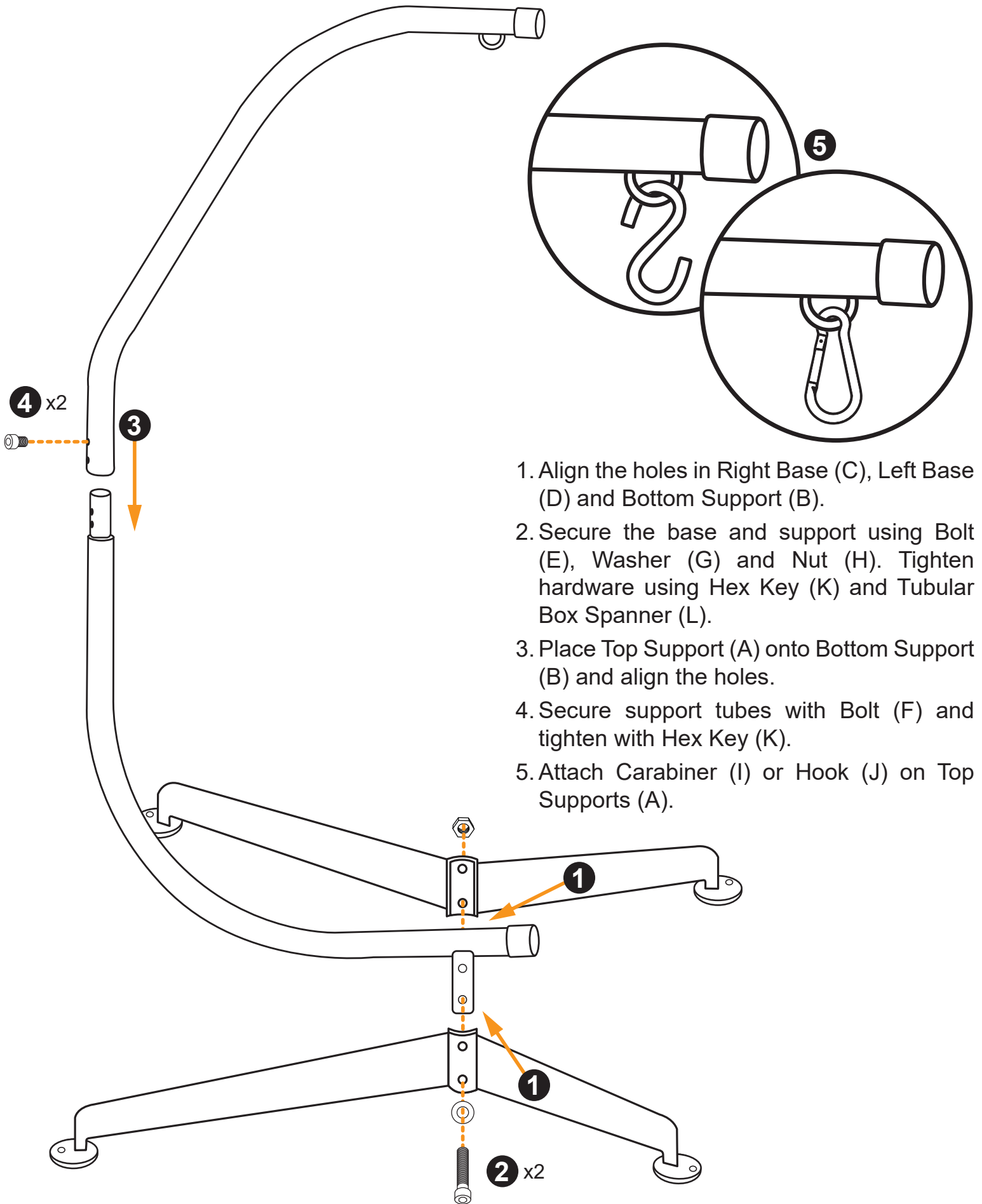
NO.	FRAME	QTY.
A		1
B		1
C		1
D		1

NO.	HARDWARE	QTY.
E		2
F		2
G		2
H		2
I		1
J		1
K		1
L		1

 Ensure all parts are accounted for before disposing of packaging.



# ASSEMBLY



1. Align the holes in Right Base (C), Left Base (D) and Bottom Support (B).
2. Secure the base and support using Bolt (E), Washer (G) and Nut (H). Tighten hardware using Hex Key (K) and Tubular Box Spanner (L).
3. Place Top Support (A) onto Bottom Support (B) and align the holes.
4. Secure support tubes with Bolt (F) and tighten with Hex Key (K).
5. Attach Carabiner (I) or Hook (J) on Top Supports (A).

## **IMPORTANT INFORMATION**

Under normal use, Sunnydaze hammock stands will last for years. It is important to follow basic care tips to prolong the life of your stand.

### **USE & CARE**

- **SAFE USE:** Do not use this chair for swinging. Swinging, bouncing, jumping and other excessive movement may cause serious injury including, but not limited to, the stand tipping over.
- **CHILDREN:** Supervise children at all times. Do not allow children to play or sleep in hammock chairs when used with this stand (chair not included).
- **STORAGE:** Store the stand indoors when not in use. Cool, dry locations are recommended to prevent damage that may result from exposure to moisture.
- **INSPECTION:** Ensure the stand is assembled correctly and the hardware is securely tightened before each use.
- **CLEANING:** Use a soft cloth, warm water and mild detergent to wipe down the stand if necessary. Dry the stand after cleaning to prevent rust.
- **SCRATCHES:** The powder coating on the stands is tough & durable but, even under normal use, some scratching is inevitable. Scratches can be repaired with a rust-resistant paint. NOTE: damage caused by painting the stand may void the product warranty.

### **TROUBLESHOOTING**

- If the stand is making noise when in use, check to make sure all hardware is fully tightened. Some noise created by the hanging hardware is normal; avoid excessive movement when using this stand as it may cause serious injuries.

**Any modification or failure to follow the recommended care will void the product warranty.**

## **WARNING:**

**Manufacturer and seller expressly disclaim any and all liability from personal injury, property damage or loss, whether direct or indirect, or incidental, resulting from the incorrect attachment, improper use, inadequate maintenance, or neglect of this product.**