

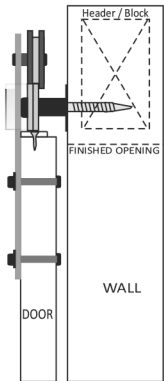
GOLDBERG BROTHERS, INC.

MP Series Straight Strap - Installation Instructions

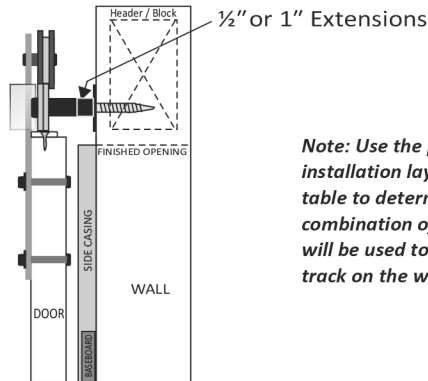
Included Hardware

- | | | | | | | |
|----------------------------|--------------------|--------------------------------------|------------------|----------------------------|------------------------------|-------------------|
| Straight strap hangers (2) | T-guide (1) | 1 $\frac{3}{8}$ " Carriage bolts (4) | Washers (6) | Anti-jump blocks (2) | $\frac{1}{2}$ " Spacers (12) | Hex lag bolts (6) |
| Track stops (2) | T-guide screws (2) | 1 $\frac{3}{4}$ " Carriage bolts (4) | Lock washers (4) | Anti-jump block screws (2) | 1" Spacers (6) | Hex nuts (4) |
| Felt pads (2) | | | | | | |

Basic Installation Layouts



Standard hardware set installed with no casing, base, or other trim.



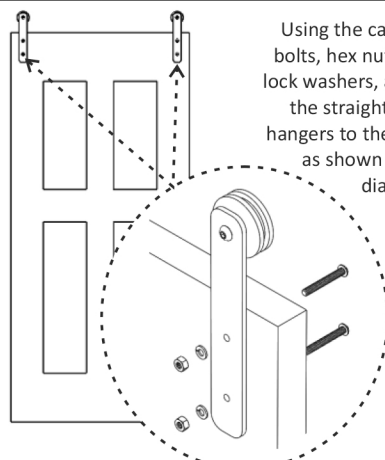
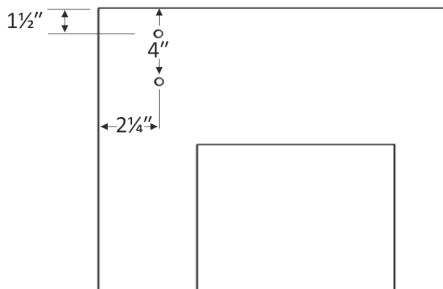
Standard hardware set + $\frac{1}{2}$ " or 1" extension kit installed where casing, base, or other trim is $\frac{1}{2}$ " thick or greater.

Note: Use the provided installation layouts and table to determine which combination of spacers will be used to install the track on the wall.

Door Thickness	Extension	Spacer(s)
1 $\frac{3}{8}$ "	-	1"
1 $\frac{3}{8}$ "	$\frac{1}{2}$ "	1" + $\frac{1}{2}$ "
1 $\frac{3}{8}$ "	1"	1" + $\frac{1}{2}$ " + $\frac{1}{2}$ "
1 $\frac{3}{4}$ "	-	1" + $\frac{1}{2}$ "
1 $\frac{3}{4}$ "	$\frac{1}{2}$ "	1" + $\frac{1}{2}$ " + $\frac{1}{2}$ "

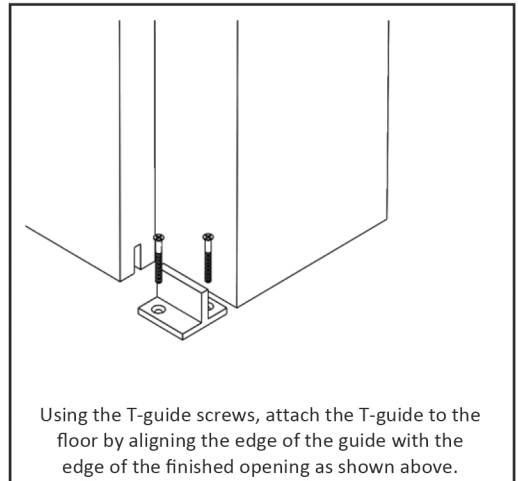
Door Prep and Hanger Installation

2 $\frac{1}{4}$ " from both sides of the top half of the door, measure down 1 $\frac{1}{2}$ " and 4" and drill $\frac{1}{8}$ " pilot holes, followed by $\frac{1}{4}$ " holes.



Using the carriage bolts, hex nuts and lock washers, attach the straight strap hangers to the door as shown in the diagram.

T-guide Installation



Using the T-guide screws, attach the T-guide to the floor by aligning the edge of the guide with the edge of the finished opening as shown above.

Stay:
At each end of the track, place one felt pad strip on top of the track, 1" in from the track stop as shown.

Bumper:
For each hanger, place one felt pad strip on the track stop or the edge of the hanger as shown.

In the closed position, the door should overlap the wall a minimum of $\frac{3}{8}$ " at the top and a minimum of $\frac{1}{2}$ " on both sides.

The edge of the door should align with the end of the track.

Note: After the door is hung from the track, the anti-jump blocks can be installed directly behind the straight strap hanger.

Plumb the door before fastening the door guide to the floor.

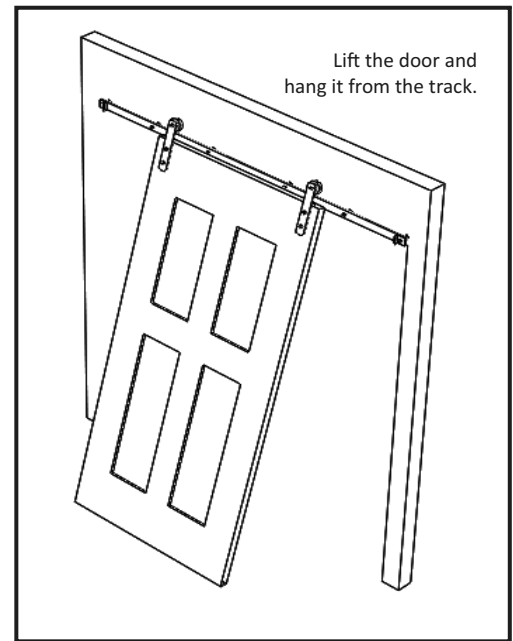
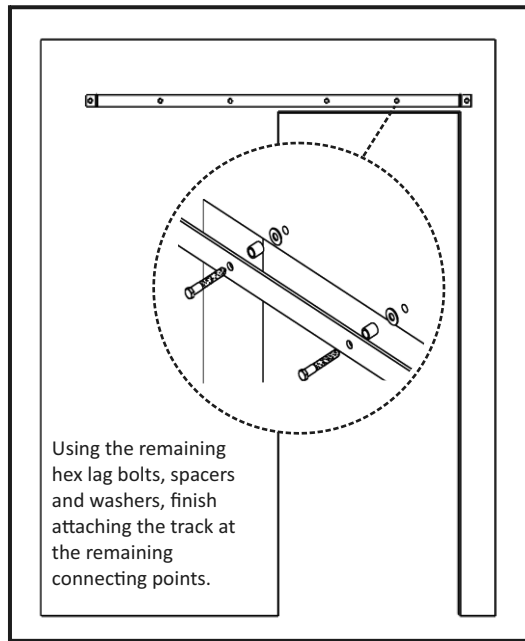
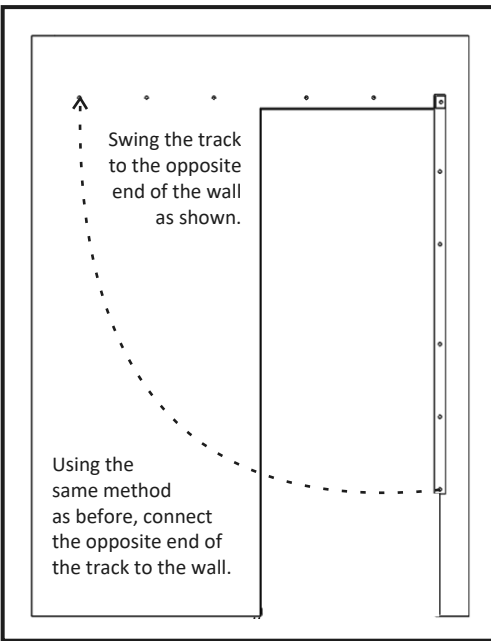
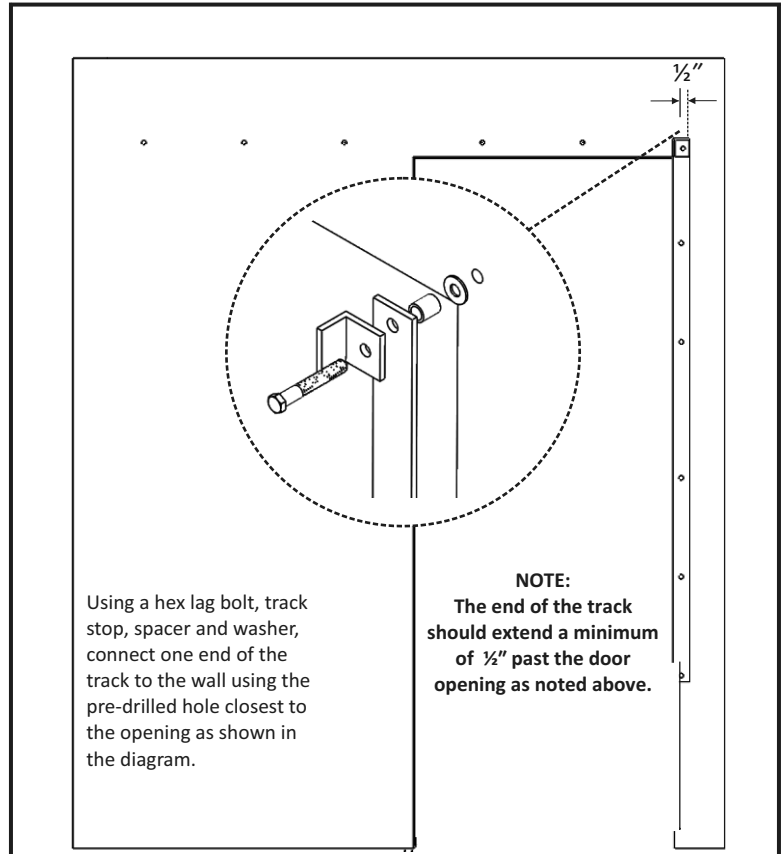
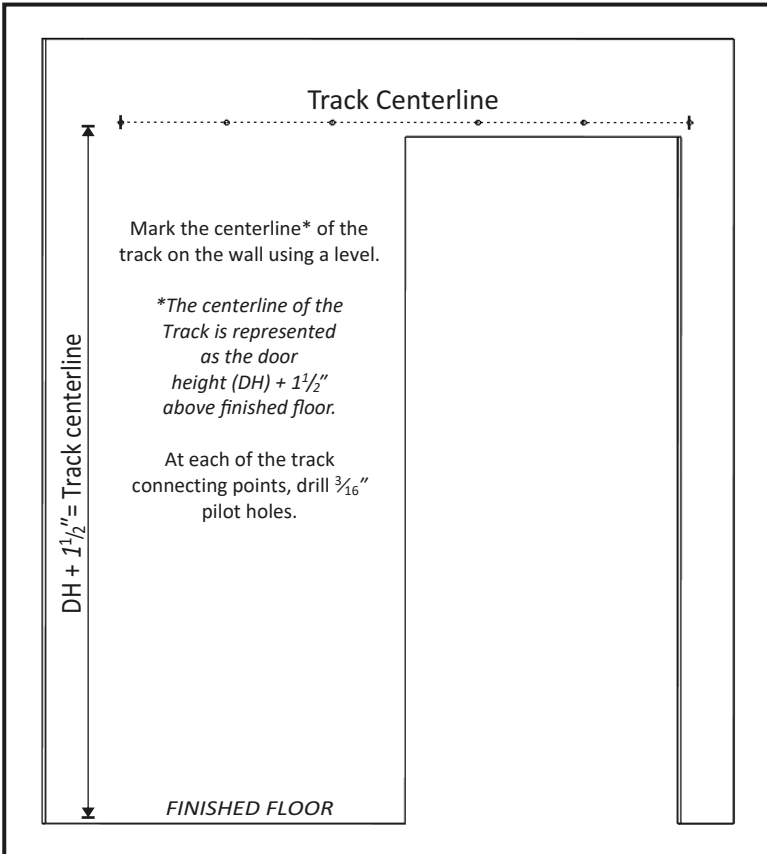
Goldberg Brothers barn door track and hardware sets come with a one-year manufacturer's warranty for defective parts under normal installation and use. Warranty is subject to repair or replacement of defective components at manufacturer's discretion and does not include installation costs.

Goldberg Brothers does not warrant the loss of finish at points where roller is in contact with track. Goldberg Barn Track is sold as a rustic finished hardware and Goldberg does not warrant the imperfections seen through the finish in the steel parts. It is part of the look.

With the exception of our stainless steel products, Goldberg Brothers does not warrant any products installed and used outdoors or where they are exposed to weather, running water or water condensation. Under these conditions, rust and other damage will naturally occur.

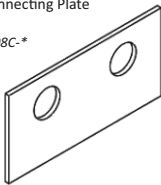
This warranty does not include loss or defects caused by elements outside the control of Goldberg Brothers, Inc., such as natural disasters, weather, fire, water leakage, abuse, improper installation, or anything else deemed out of the control of Goldberg Brothers, Inc.

Track Installation



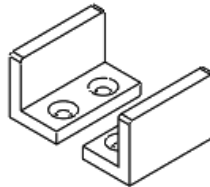
Optional Accessories

Track Connecting Plate
1 each
Part #6008C-*



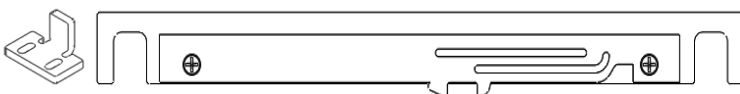
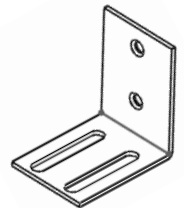
Door Guide "U"
1 set
Includes 2 "U" guides, 2 wood screws and 1 felt pad
Part #6001U-*

NOTE: Use the provided T-guide wood screws for U-guide installation.



Sidewall Guide Bracket
1 each
Includes 1 bracket, 4 machine screws, 4 nuts and 1 felt pad
Part #6001SW-*

NOTE: Use the provided T-guide wood screws for side wall guide installation.



MP Soft Stop
1 set
Includes 2 Soft Stop mechanisms, 2 triggers and 4 wood screws
Part #6008SOFT11 (4'-7" track)
Part #6008SOFT17 (8'+ track)



Goldberg Brothers, Inc.
10488 W Centennial Rd, Suite 100
Littleton, CO 80127
(303) 321-1099

* Indicates that the related part is available in various colors.