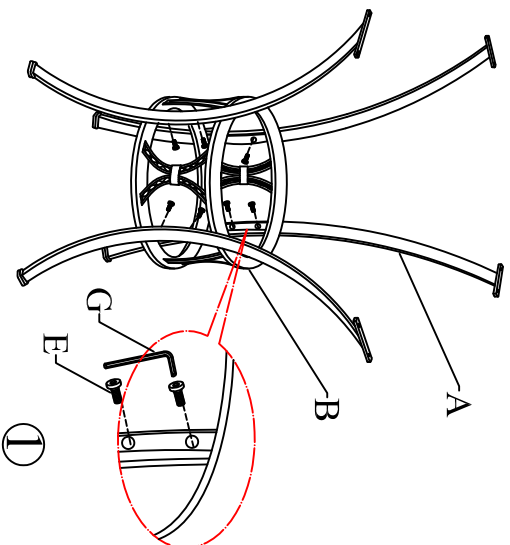
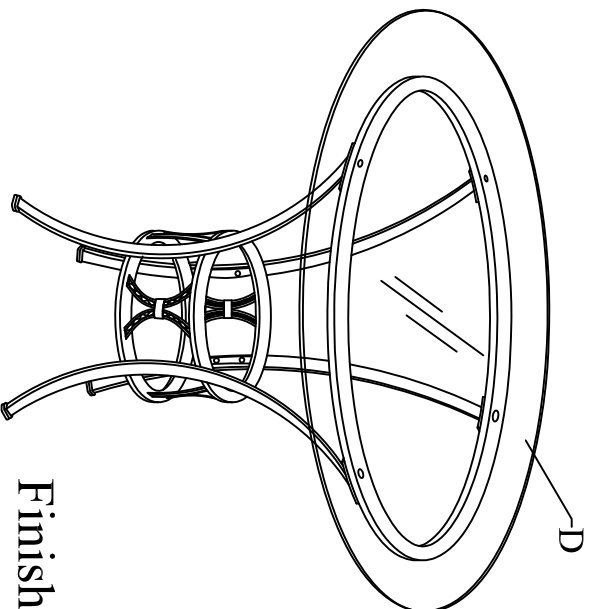
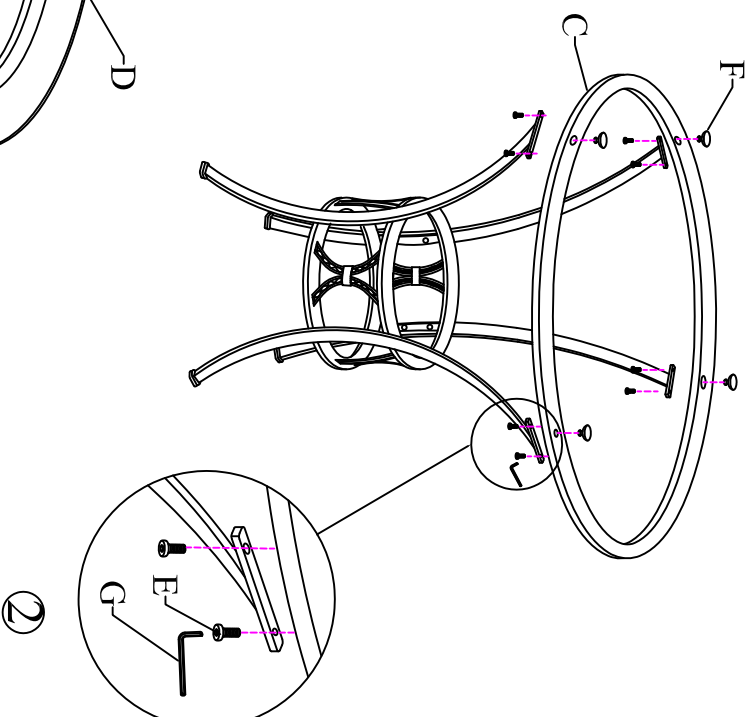


# Assembly Instruction

Step:1



Step:2



Finish

PART LIST	QTY
<b>A</b> TABLE LEG	4PCS
<b>B</b> UNDER THE FRAME	1PC
<b>C</b> TOP FRAME	1PC
<b>D</b> GLASS TOP	1PC
<b>E</b> BOLT 1/4"*12	16PCS
<b>F</b> GLASS STOPPER	4PCS
<b>G</b> ALLEN KEY 4MM	1PC