

Features

- Designed to work with a DTV+ digital system either individually or with a second digital valve (two, three, or six-port valve).
- For use in either showering and/or bathing applications.
- Up to 13 gpm (gallons per minute) maximum flow rate with maximum flow of 8.0 gpm from one outlet.
- 1/2-inch hot/cold supply inlets.
- Pre-wired with three-prong plug for connection to 110v AC receptacle.
- Mounts within standard 2- by 4-inch walls.

Installation

- Two independently controllable 1/2-inch outlets.

Required Products/Accessories

K-99695 System Controller Module

Installed component/s: Filter screens.

Loose component/s: 20 Ft. Data cable, Mounting Hardware, and Jumper.



Codes/Standards

ASME A112.18.1/CSA B125.1

ASSE 1016/ASME A112.1016/CSA B125.16

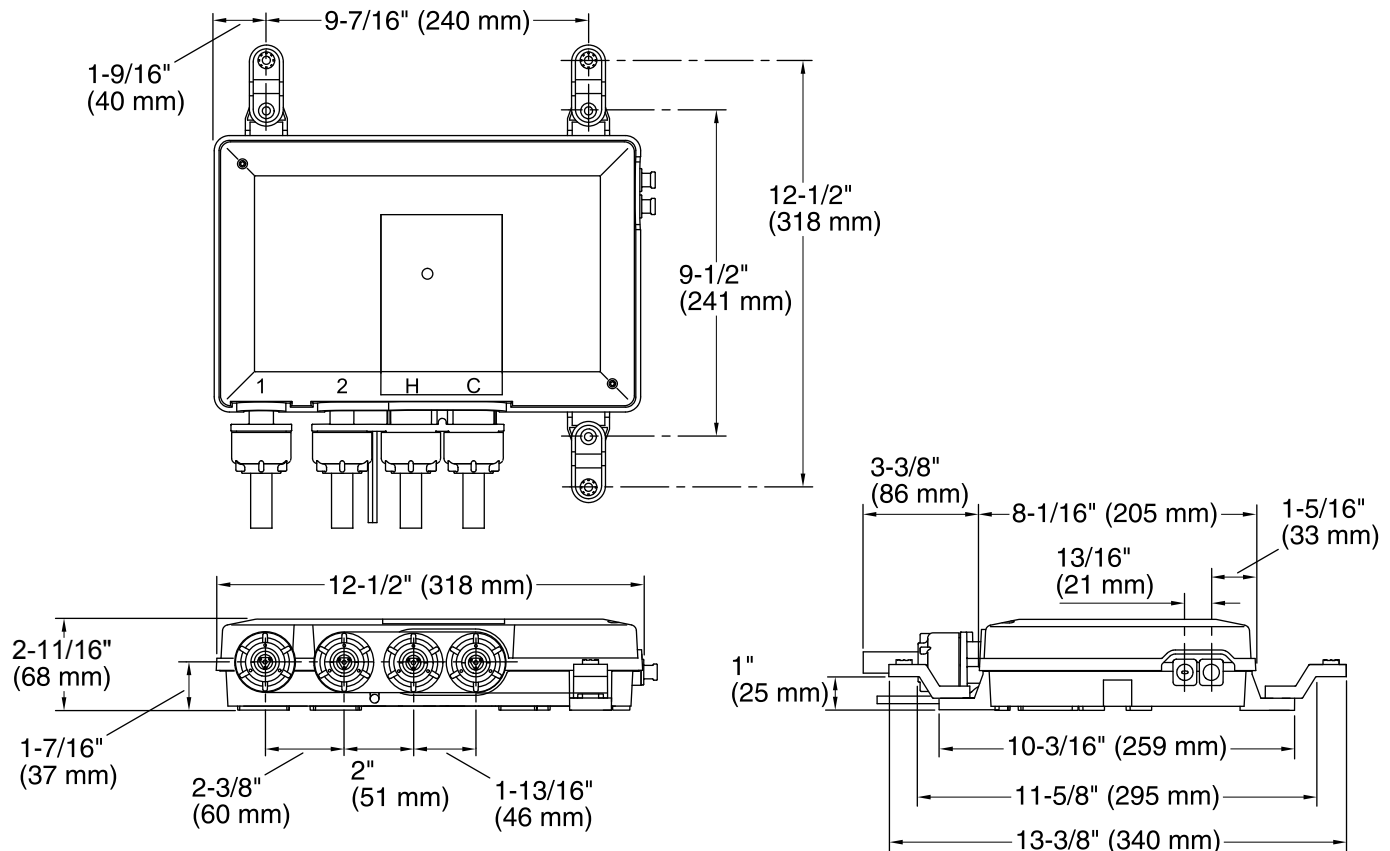
UL 1951

CSA C22.2 No. 14

CSA C22.2 No. 68

KOHLER® Electronic Faucets, Valves, and Controls Five-Year Limited Warranty

See website for detailed warranty information.



Required Electrical Service

One dedicated circuit required, protected with Class A Ground-Fault Circuit-Interrupter (GFCI) or Residual Current Device (RCD).

120 V, 15 A, 60 Hz

Technical Information

All product dimensions are nominal.

Power source: Plug - AC, included

Shower Valve:

Flow rate - Max: 13 gal/min (49.2 l/min)

Flow rate - Min: 1.5 gal/min (5.7 l/min)

Pressure - Max: 45 psi (3.1 bar)

Pressure - Min: 45 psi (3.1 bar)

Max. Ambient temp: 104°F (40°C)

Max. Relative humidity non-condensing: 95%

Notes

Install this product according to the installation guide.

For use with showerheads or handsprays rated at 1.5 gal/min (5.7 l/min) or higher.

If used for bath-shower system, the bath spout must be connected to the #1 outlet port and restricted to 10 gal/min (37.9 l/min) maximum.

Provide access for servicing valve.

Use 1/2" supply lines.

Do not install this valve in walls exposed to subfreezing temperatures.

Avoid mounting the valve in a wall adjacent to a frequently occupied room, such as a bedroom or living room.

Pressure regulators are strongly recommended in applications where large pressure swings are anticipated or pressure differences between the supplies exist, such as commercial installations with separate hot and cold supply systems.

Water hammer arrestors and shut-offs are required in both the hot and cold supplies.