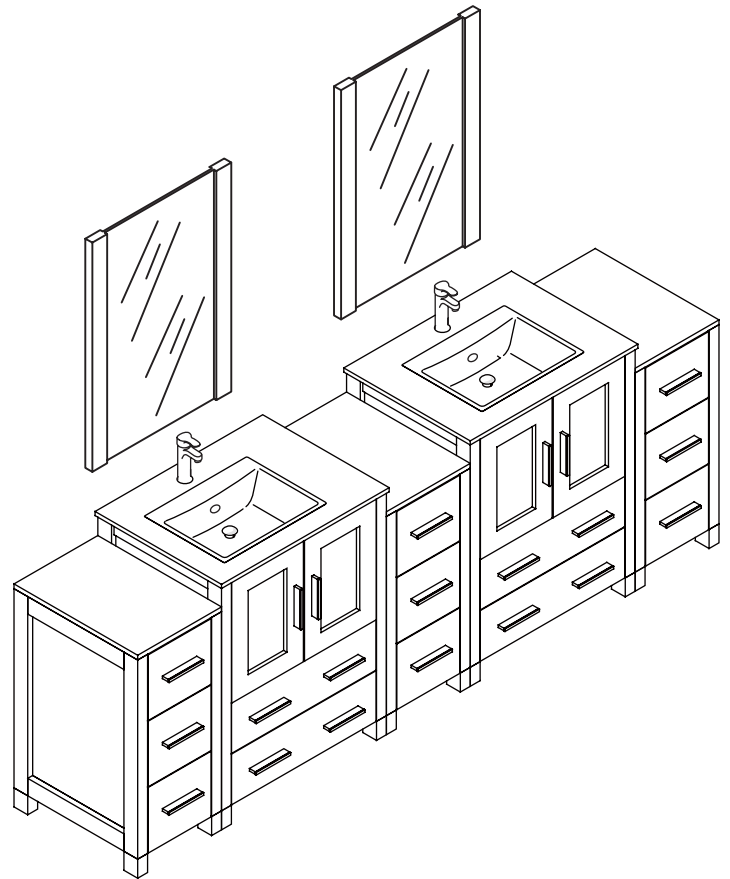
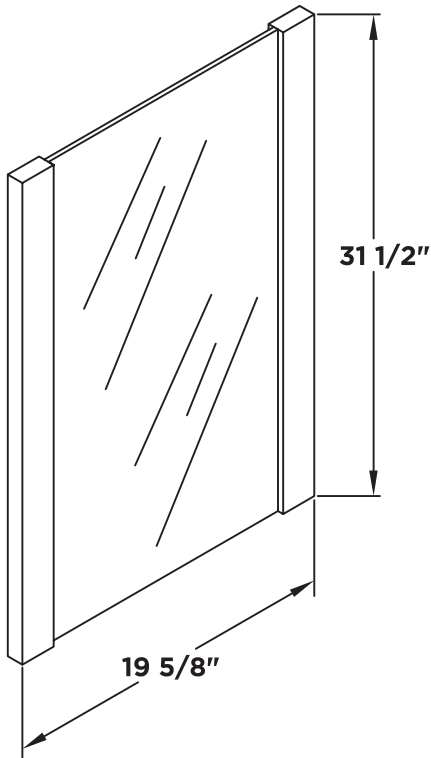


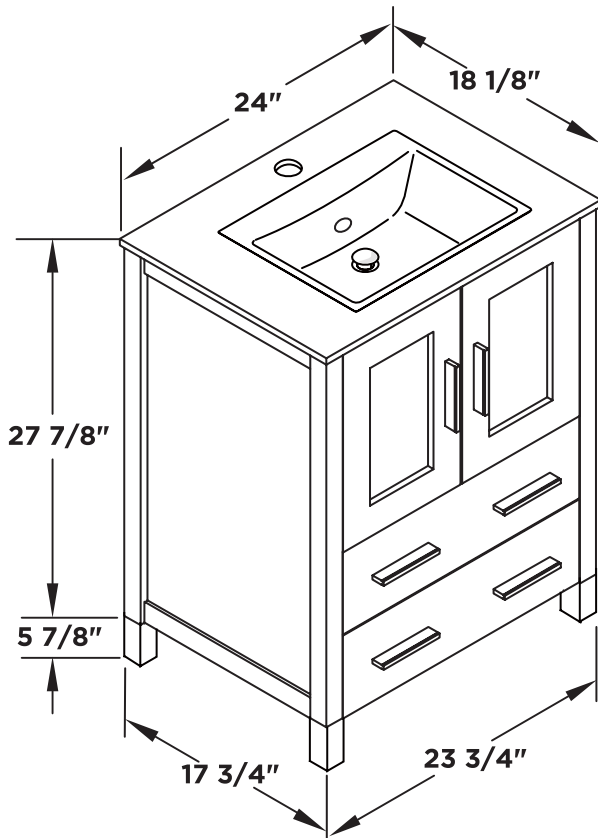
FVN62-72-UNS
TORINO
INSTALLATION GUIDE



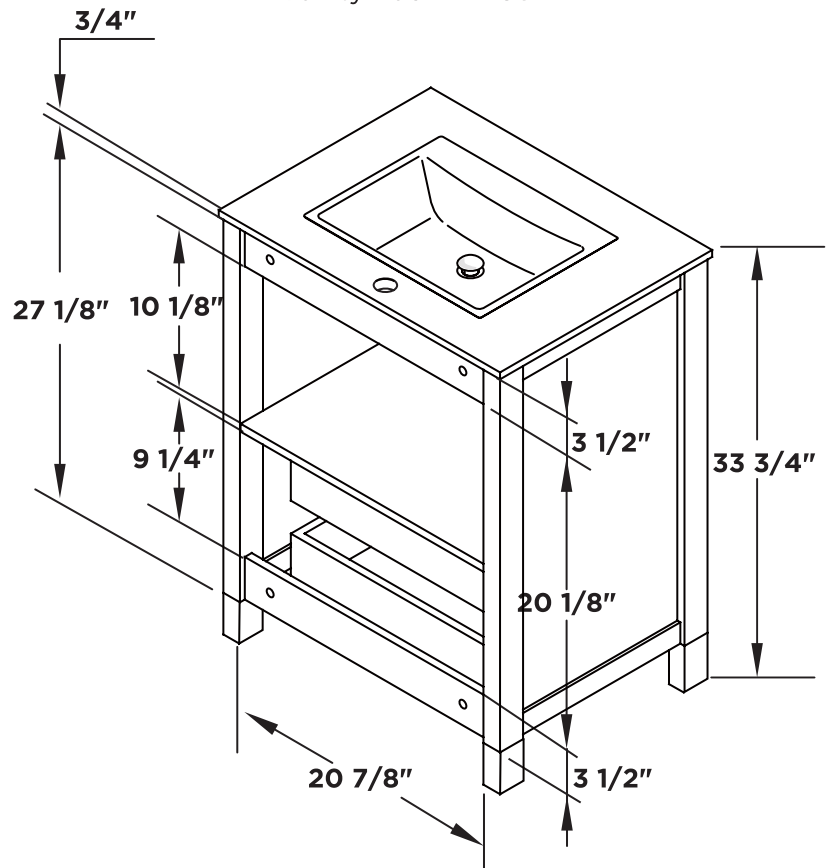
Mirror 2PCS



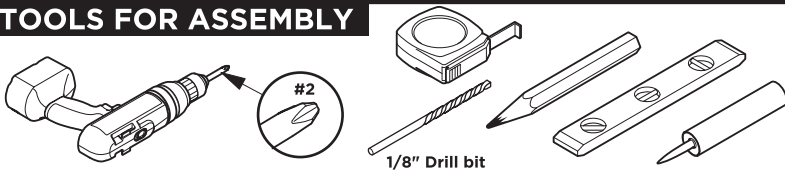
Vanity Front 2PCS



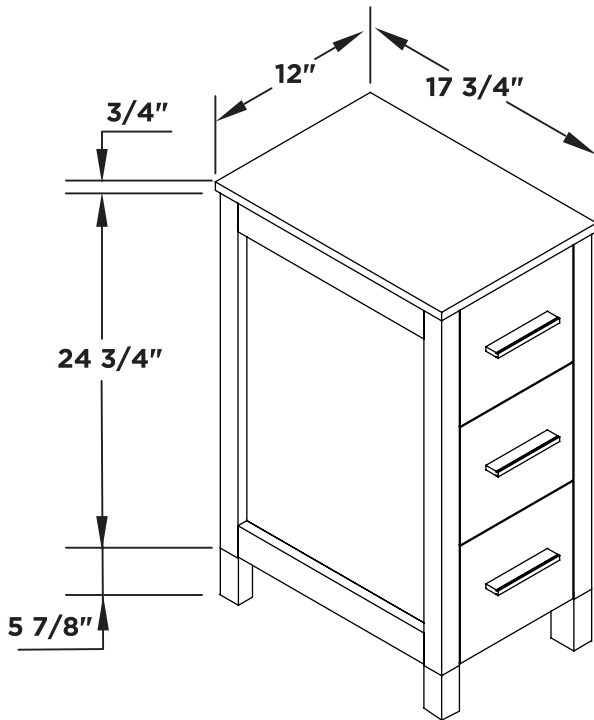
Vanity Back 2PCS



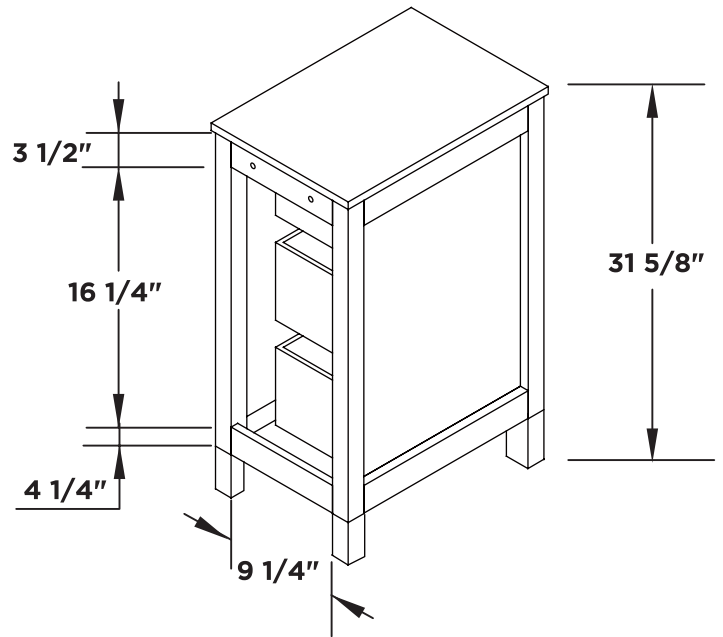
TOOLS FOR ASSEMBLY



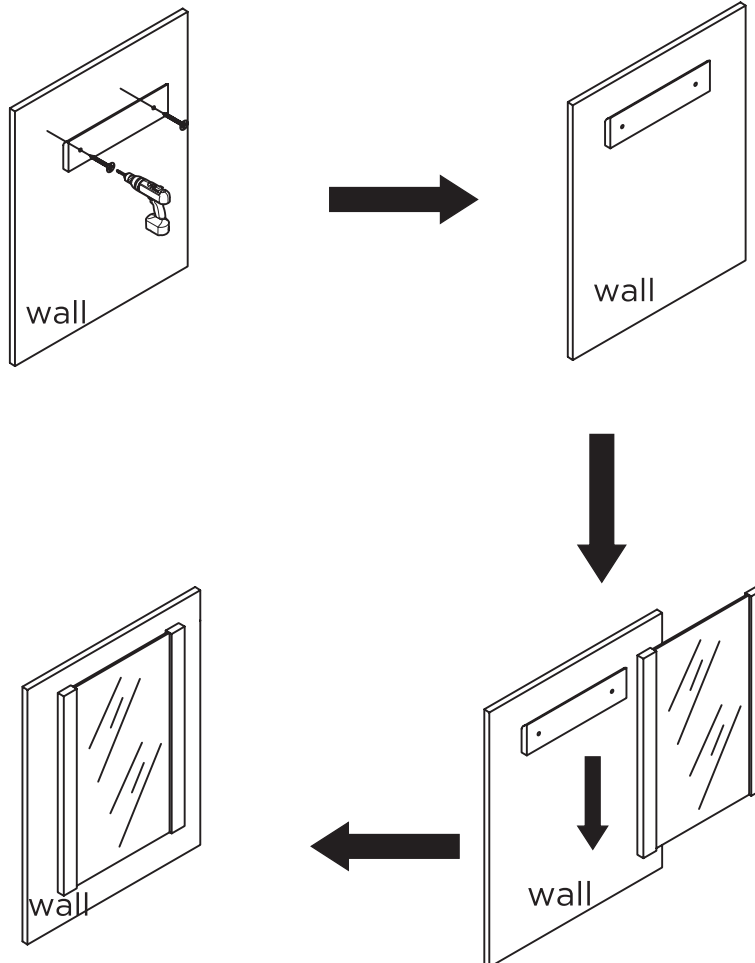
Side Cabinet Front 3PCS



Side Cabinet Back 3PCS

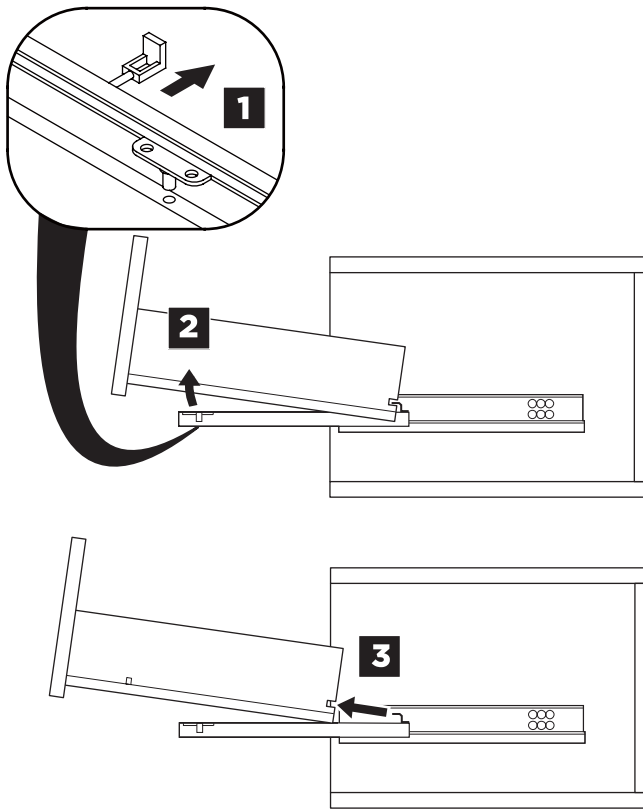


MIRROR INSTALLATION

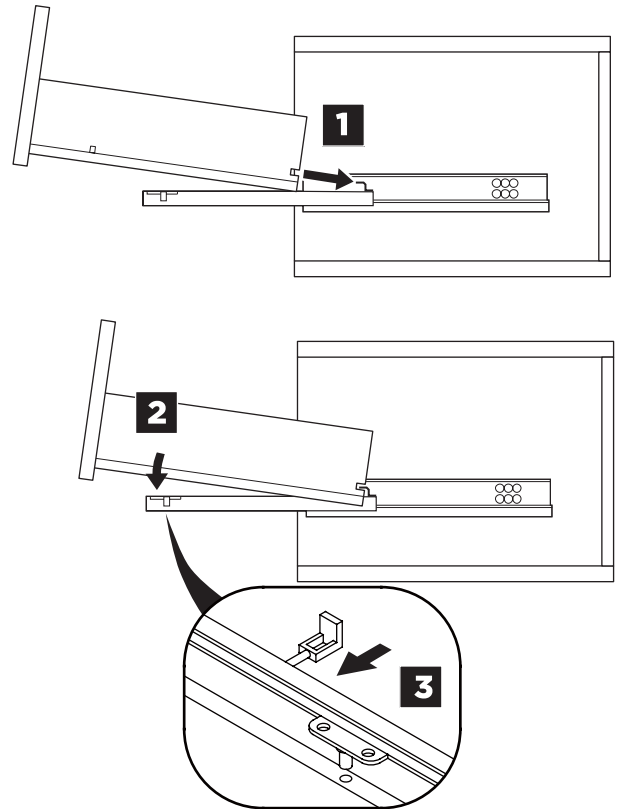


DRAWER REMOVAL & INSTALLATION

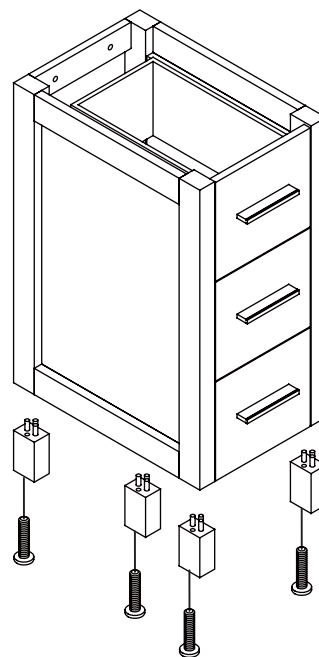
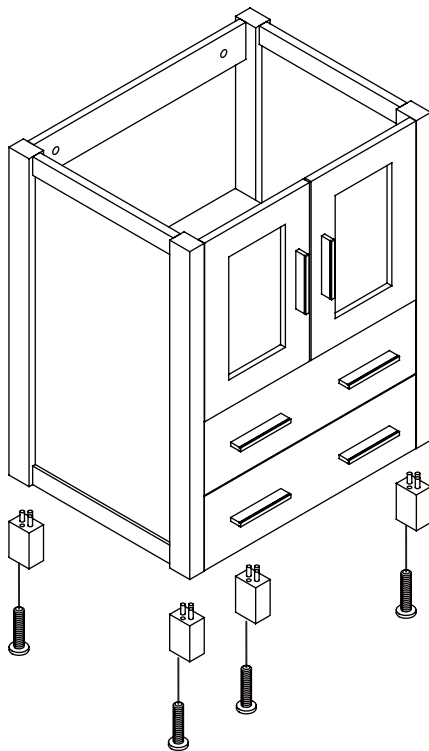
REMOVAL



INSTALLATION



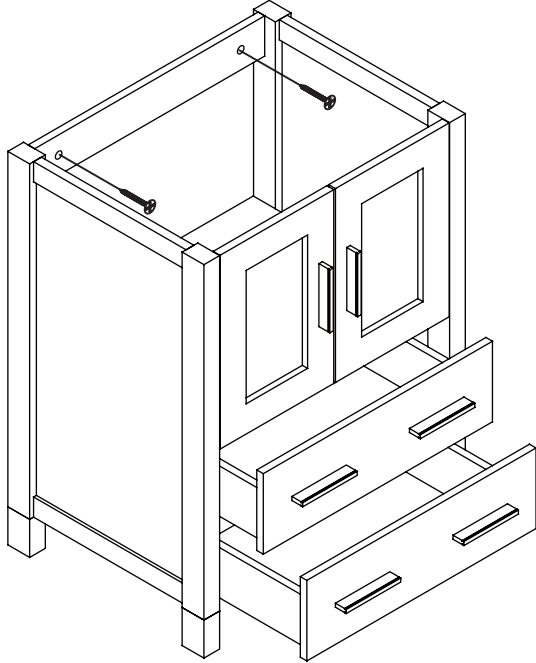
1 Install leg



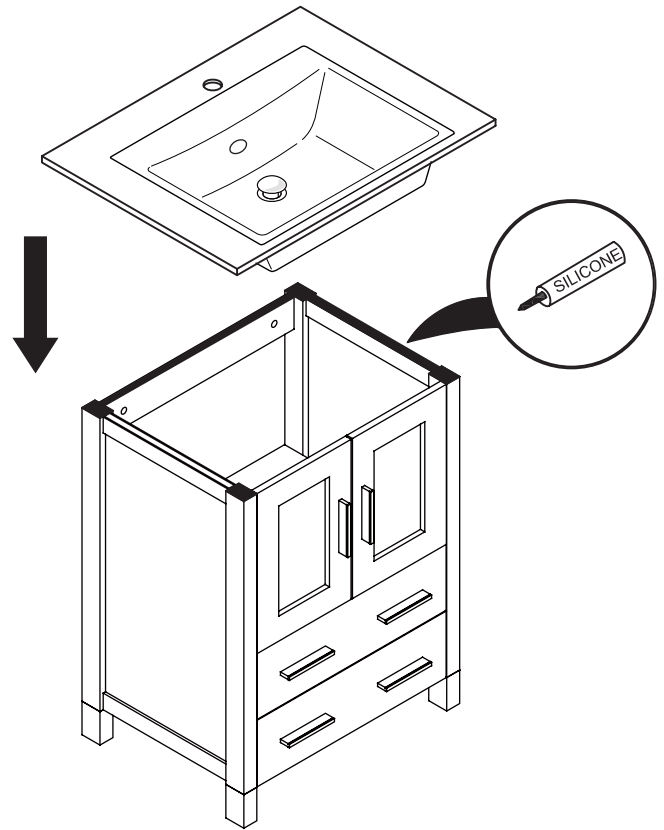
2 Remove drawer

3 Install cabinet

IMPORTANT: Consult an expert for the proper screws/bolts to use when attaching to various wall constructions. Screws provided do not attach to all wall construction types.

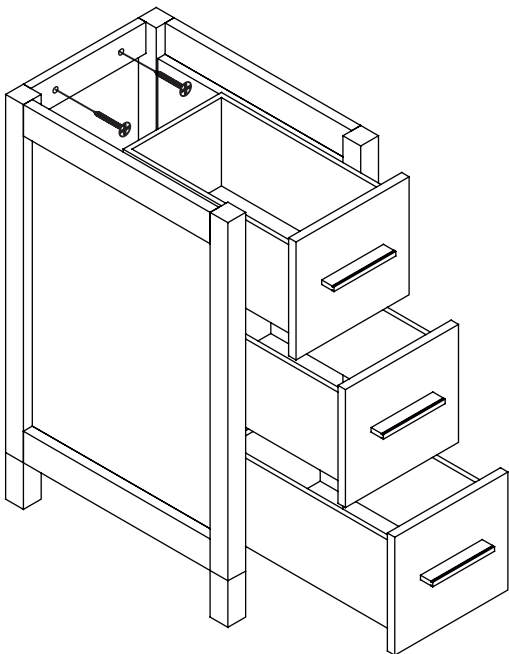


4 Install top panel

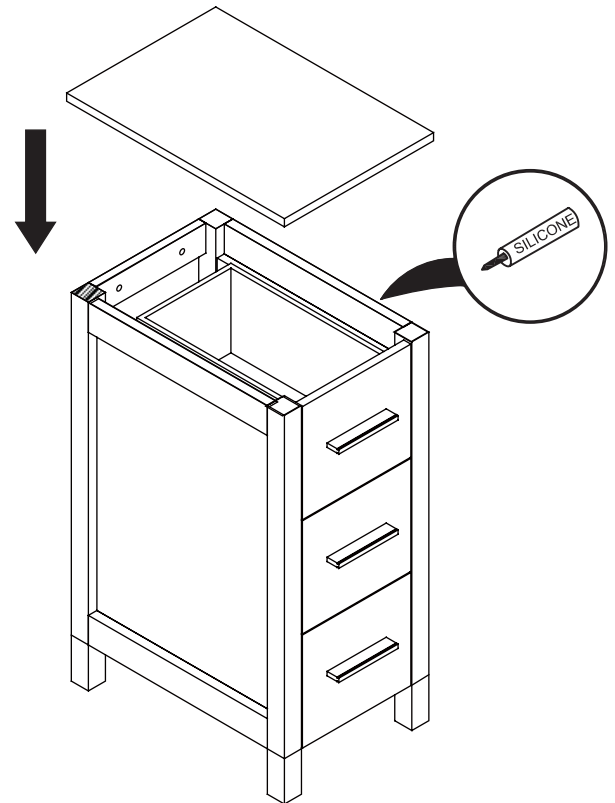


5 Remove side cabinet drawer

6 Install side cabinet



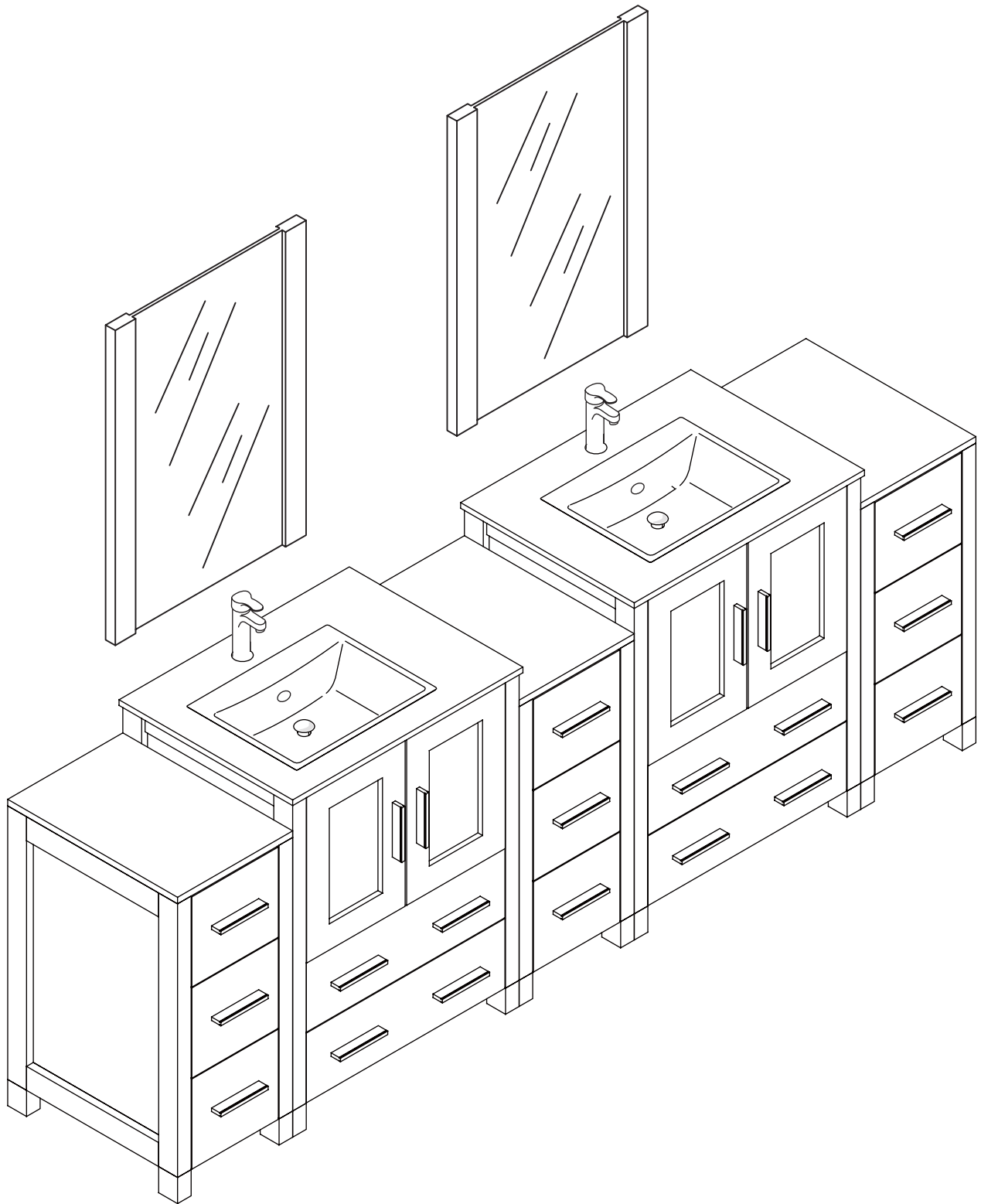
7 Install side cabinet top panel



FVN62-72-UNS

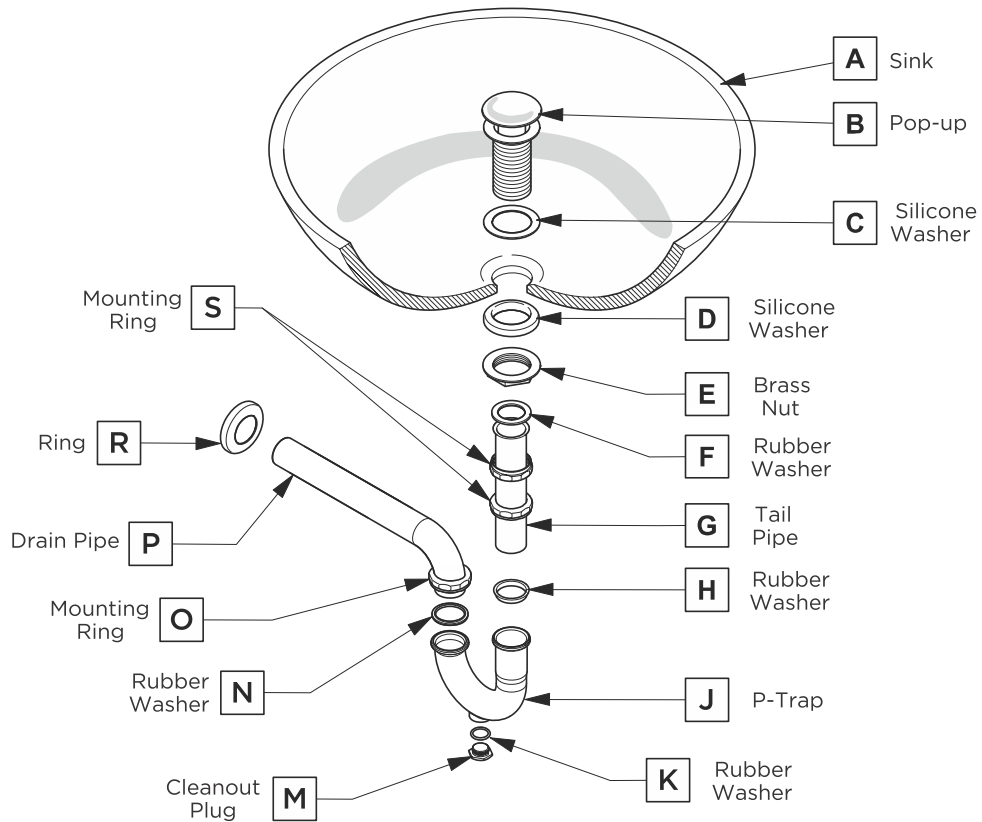
TORINO

INSTALLATION GUIDE



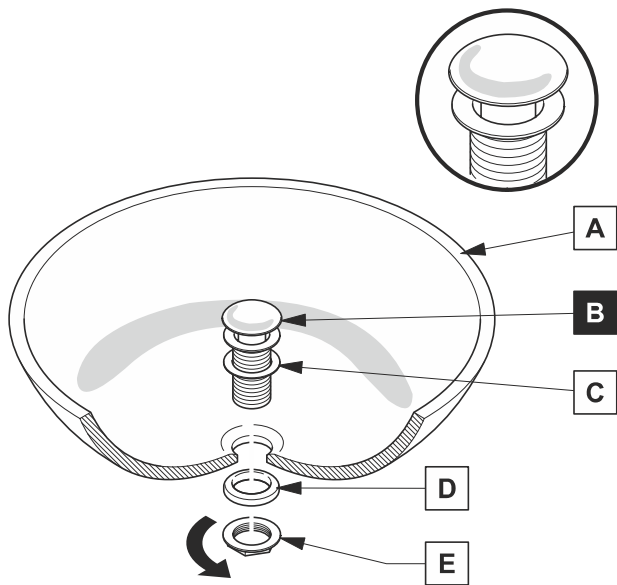
P-TRAP AND POP-UP INSTALLATION INSTRUCTIONS

Your item may appear slightly different from the illustration



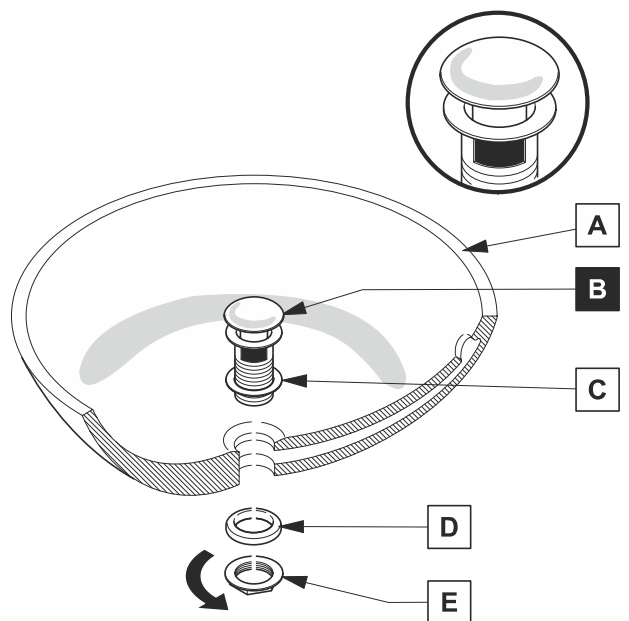
POP-UP INSTALLATION

FOR SINKS WITHOUT OVERFLOW



OR

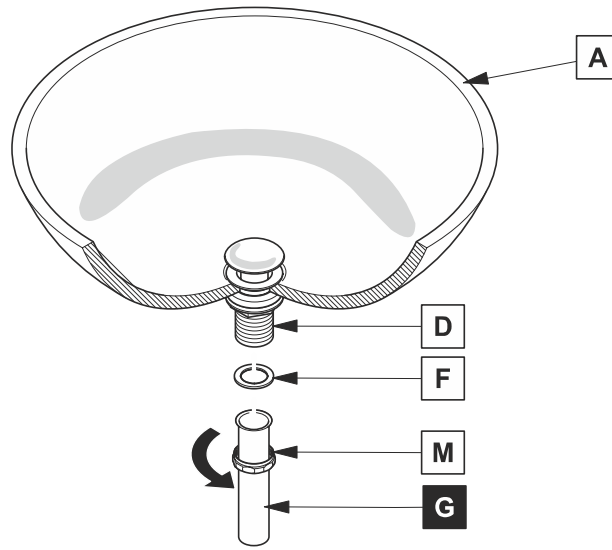
FOR SINKS WITH OVERFLOW



P-TRAP INSTALLATION

1

Install tail pipe (G)



2

Install p-trap (J)

