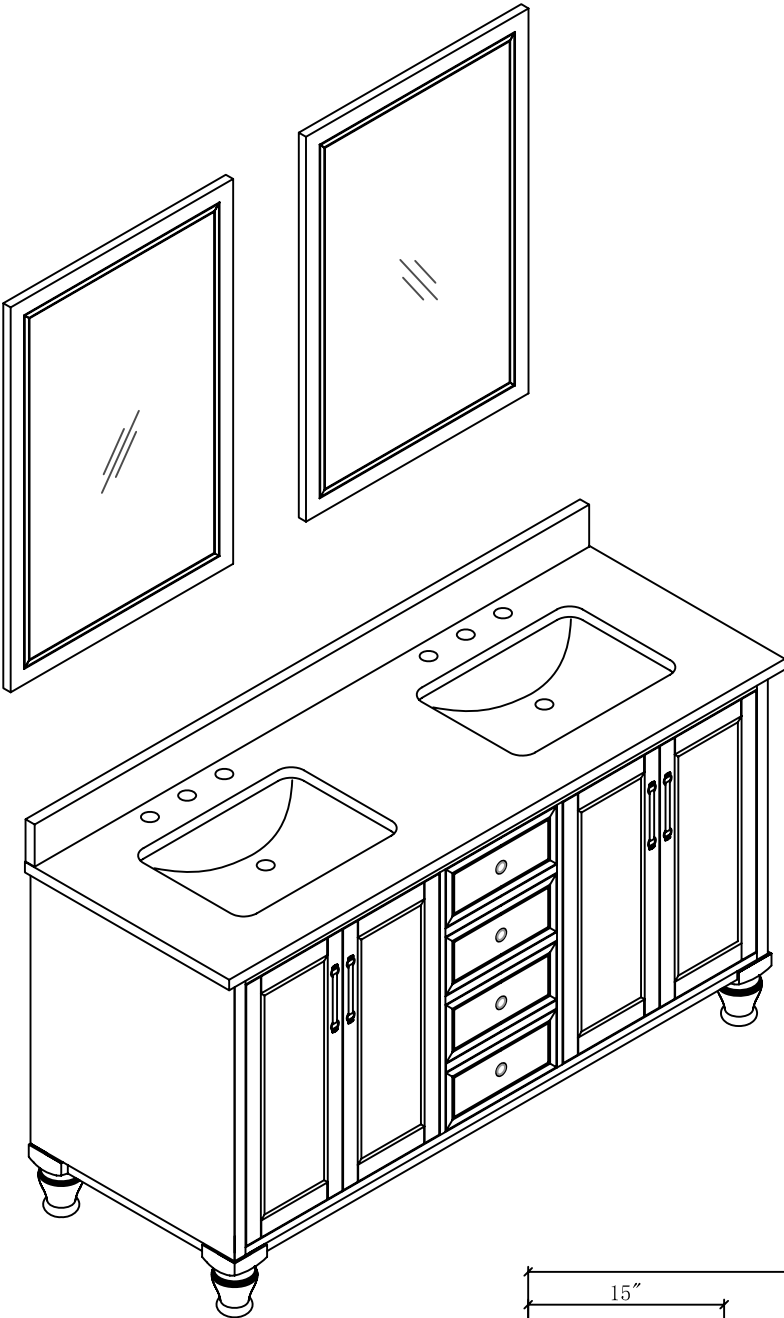


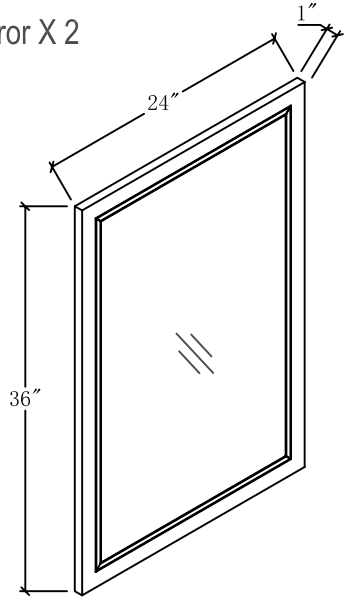
INSTALLATION GUIDE

ITEM NO.: WH7560

LEGION FURNITURE

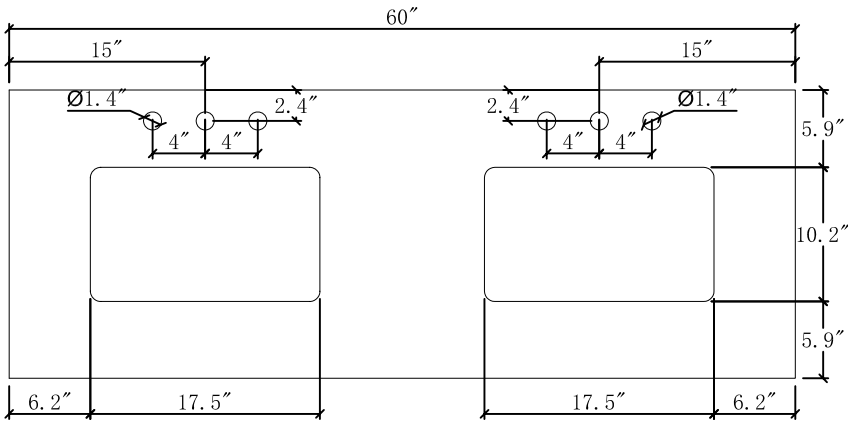


Mirror X 2



Vanity Ensemble

Sink



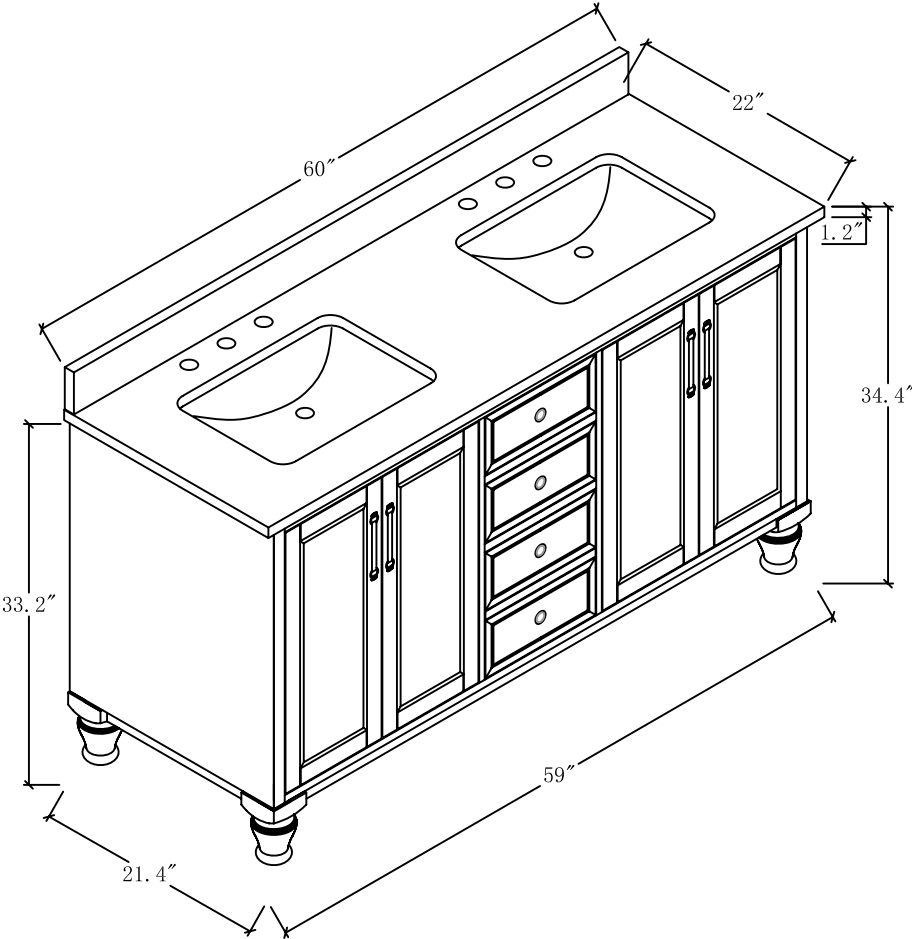
Note: All dimensions and specifications are approximate and subject to change without notice.

INSTALLATION GUIDE

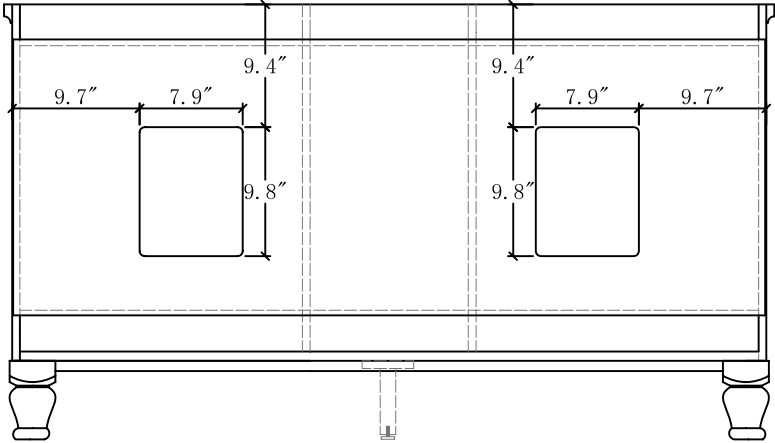
ITEM NO.: WH7560

LEGION FURNITURE

Vanity Front



Vanity Back



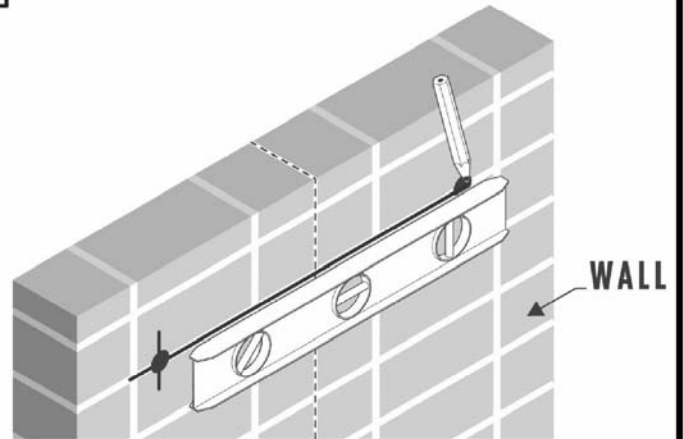
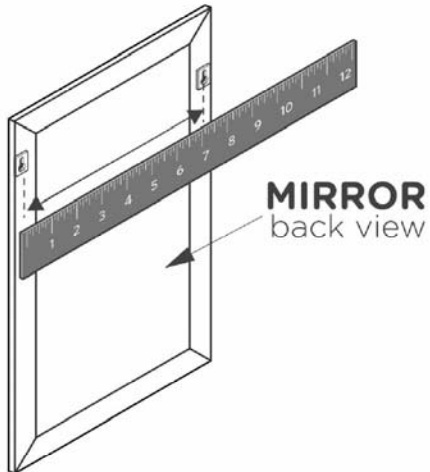
MIRROR INSTALLATION INSTRUCTION

TOOLS FOR ASSEMBLY

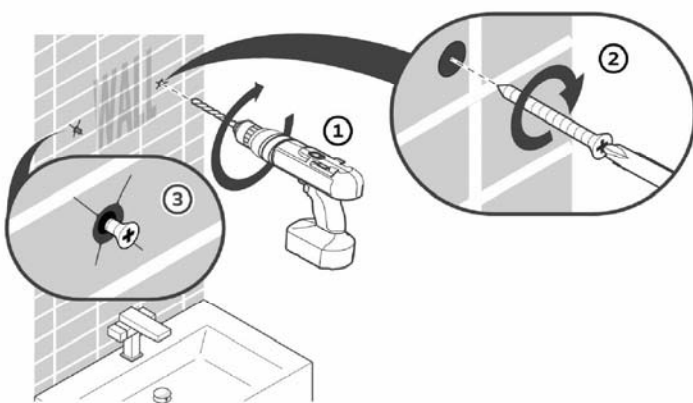


- 2** Mark the measured distance on the wall using a level

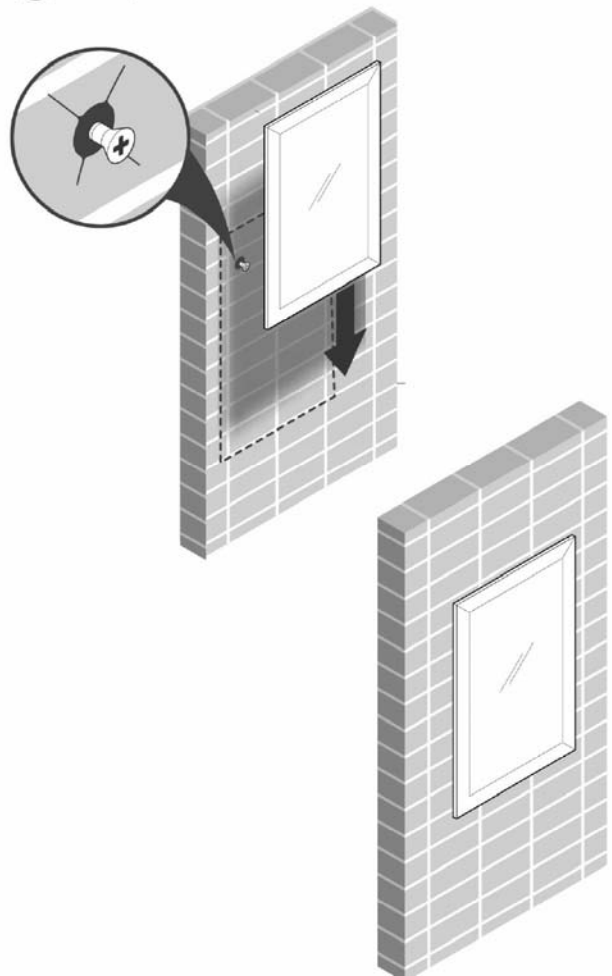
- 1** Measure the distance between the brackets on the back of the mirror



- 3** Once position is marked, drill 2 holes and insert anchors if stud is not available



- 4** Hang mirror on the wall

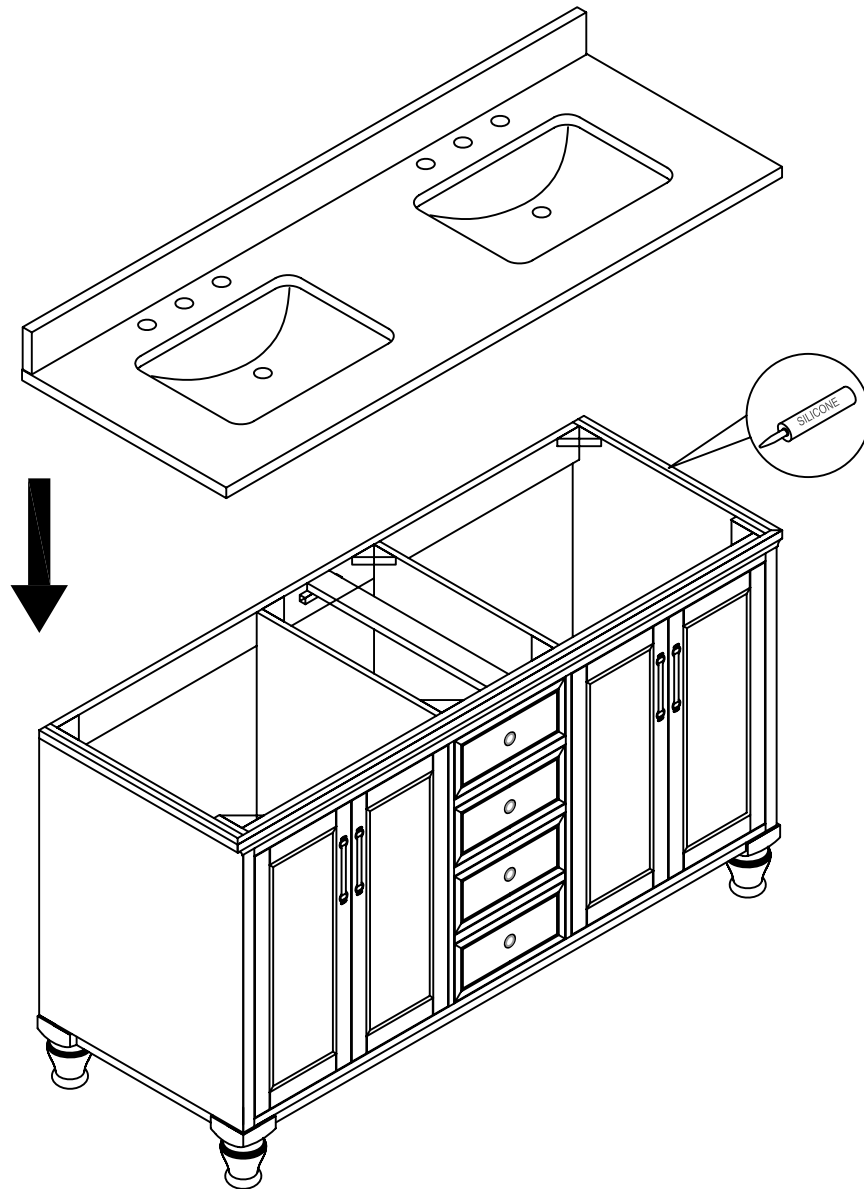


IMPORTANT:

CONSULT AN EXPERT FOR THE PROPER SCREWS/BOLTS TO USE WHEN ATTACHING TO VARIOUS WALL CONSTRUCTIONS. SCREWS PROVIDED **DO NOT ATTACH** TO ALL WALL CONSTRUCTION TYPES.

INSTALLATION INSTRUCTONS

1. Apply a bead of silicone on the top of the cabinet and place the sink on top



IMPORTANT:

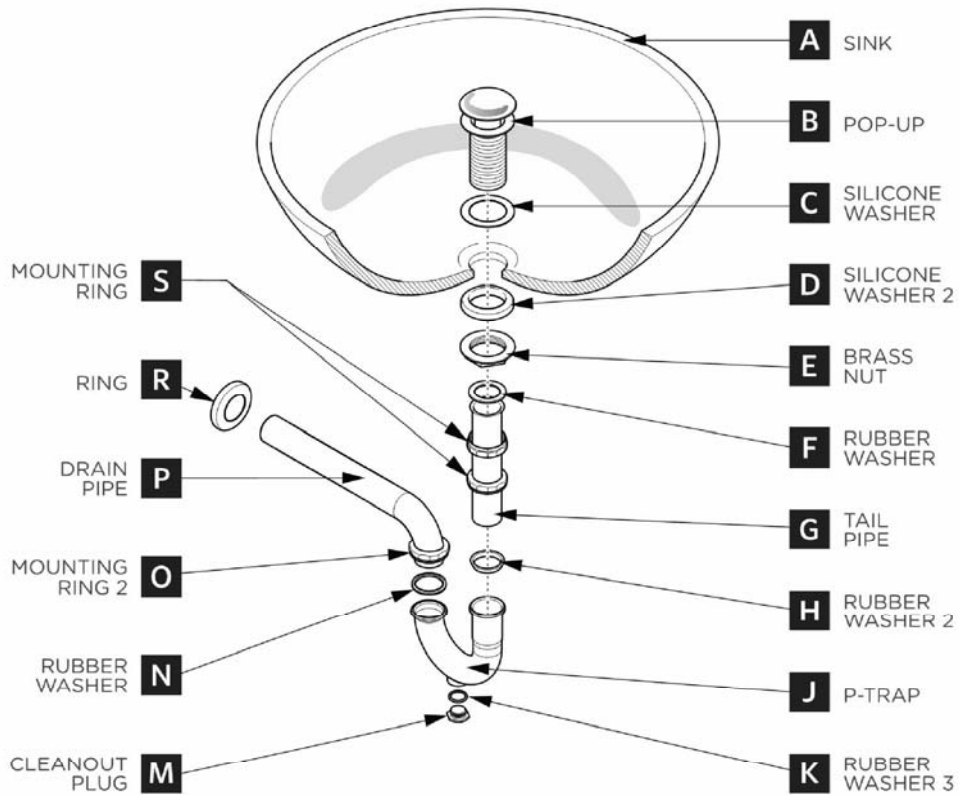
Consult an expert for the proper screws/bolts to use when attaching to various wall constructions.

Screws provided do not attach to all wall construction types.

P-TRAP & POP-UP

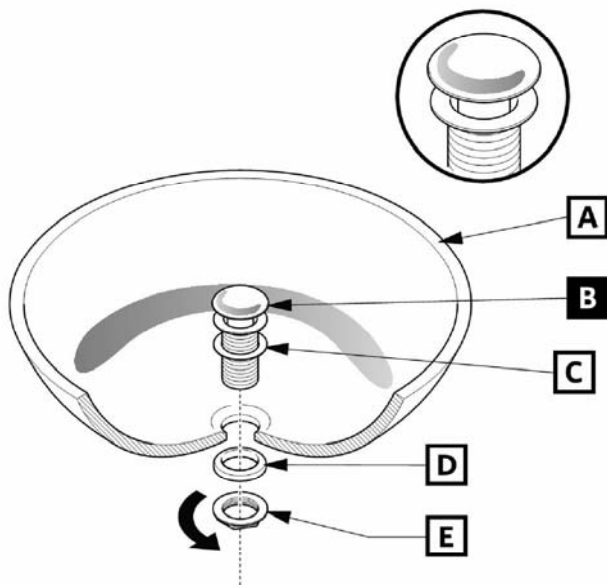
INSTALLATION INSTRUCTIONS

Your item may appear slightly different from the illustration.



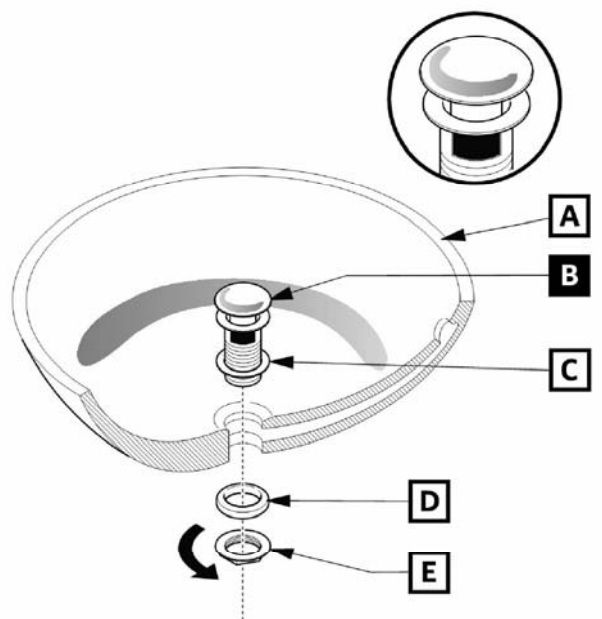
POP-UP INSTALLATION

FOR SINKS WITHOUT OVERFLOW



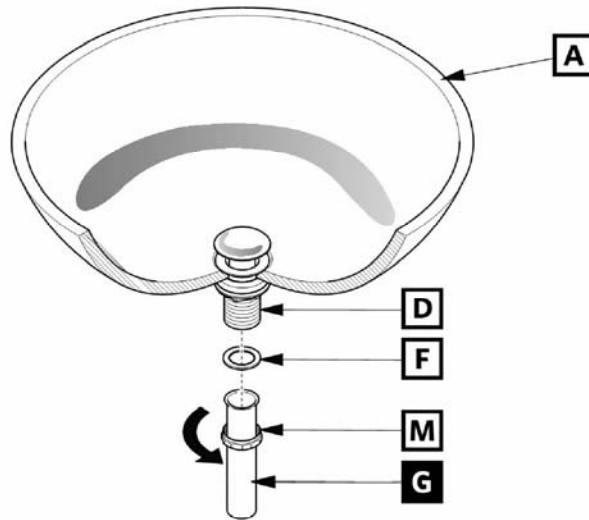
OR

FOR SINKS WITH OVERFLOW



P-TRAP INSTALLATION

1 Install tail pipe (G)



2 Install P-trap (J)

