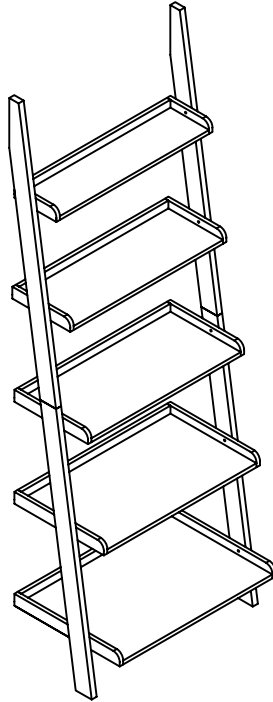




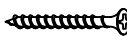

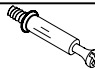



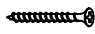


# CONVENIENCE CONCEPTS




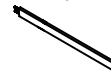



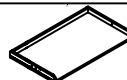

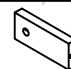
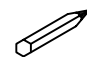
## Bookshelf Ladder



Item No. 8043391  
8043391CH  
8043391W

8043391BL 8043391FC  
8043391BE 8043391GY  
8043391GN

CODE	NAME	FIGURE	Q`TY
A	WOOD DOWEL ( $\phi$ 8*20mmL)		22PCS
B	BOLT ( $\phi$ 6*22mmL)		10PCS
C	SCREW (8*50mmL)		2PCS
D	CAM LOCK (15*9mmL)		1PC
E	CAM BOLT (6.5*35mmL)		1PC
F	GLUE		1PC
G	METAL BRACKET		2PCS
H	SCREWS ( $\phi$ 6*12mmL)		2PCS
I	ANCHOR SCREWS ( $\phi$ 7*1-1/4mmL)		2PCS
J	ANCHOR ( $\phi$ 6*30mmL)		2PCS
K	ALLEN WRENCH		1PC

CODE	NAME	FIGURE	Q`TY
L	LEFT TOP BAR		1PC
M	RIGHT TOP BAR		1PC
N	LEFT BOTTOM BAR		1PC
O	RIGHT BOTTOM BAR		1PC
P	TOP SHELF		1PC
Q	SECOND TO TOP SHELF		1PC
R	MIDDLE SHELF		1PC
S	SECOND TO BOTTOM SHELF		1PC
T	BOTTOM SHELF		1PC
U	FOOT		1PC
V	COLOR STICK		1PC

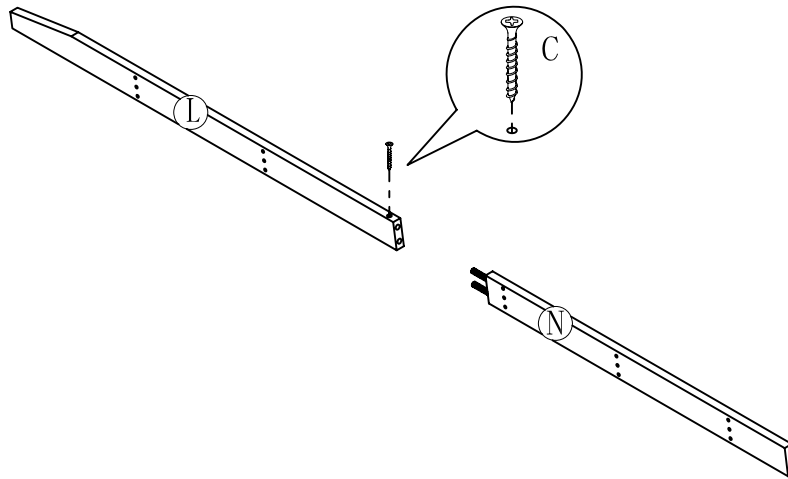


Please do not return to the store  
. Broken or Missing Parts?  
. Need help with Assembly?

If you have any questions just call 1-800-468-6447 or email us at  
[parts@convenience-concepts.com](mailto:parts@convenience-concepts.com)

## STEP 1

Connect left top bar(L) to left bottom bar(N) using screw(C).

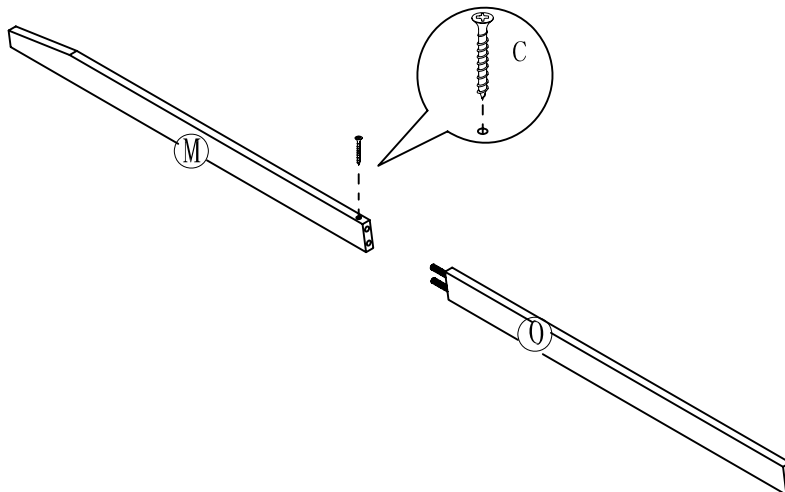


HARDWARE  
NEEDED

C x 1PC

## STEP 2

Repeat step 1 for right side.



HARDWARE  
NEEDED

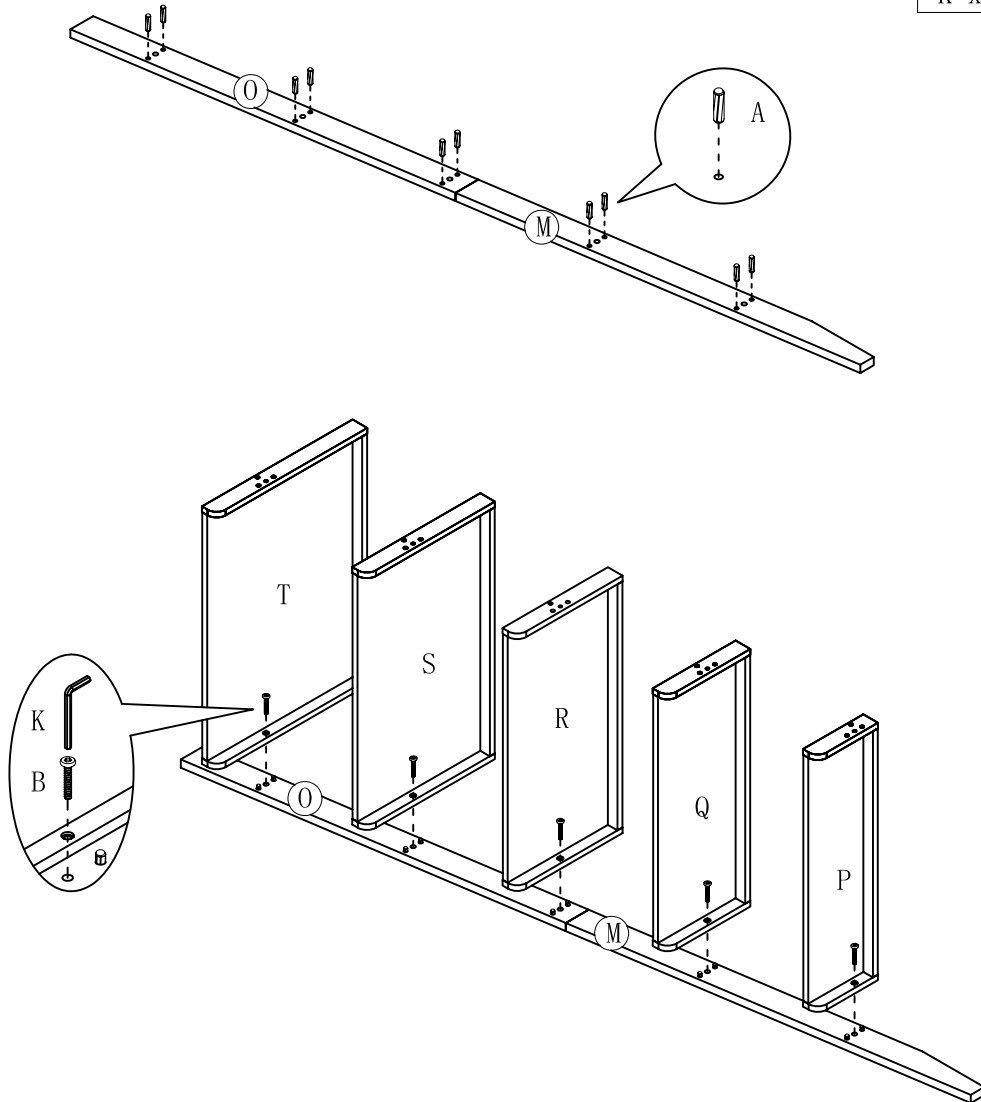
C x 1PC

### STEP 3

1. Insert Dowels(A) into one side of bar assembly and lay assembly down flat with dowels facing up.
  2. Attach shelves to bar assembly using Bolts(B) starting with the smallest Shelf(P) and working up to the largest Shelf(T).
- \* Special note: Make sure that back of shelves are facing slant at top of side bar assembly.\*

### HARDWARE NEEDED

A x 10PCS
B x 5PCS
K x 1PC

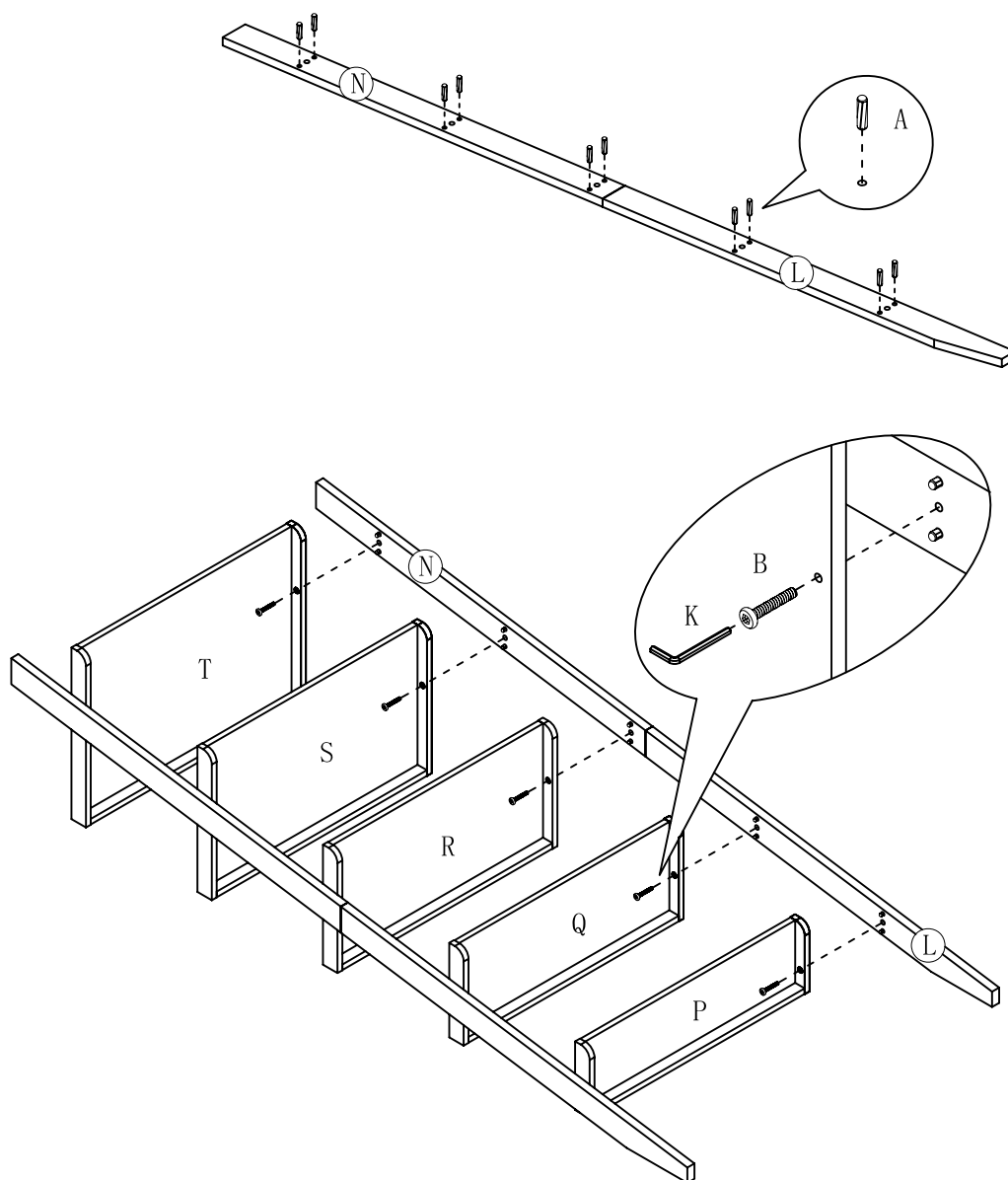


## STEP 4

1. Insert Dowels(A) into other bar assembly.
2. Turn assembled unit with shelves onto its backside.
3. Connect other bar assembly to shelves with Dowels(A) and fasten using Bolts(B).

### HARDWARE NEEDED

A x 10PCS
B x 5PCS
K x 1PC

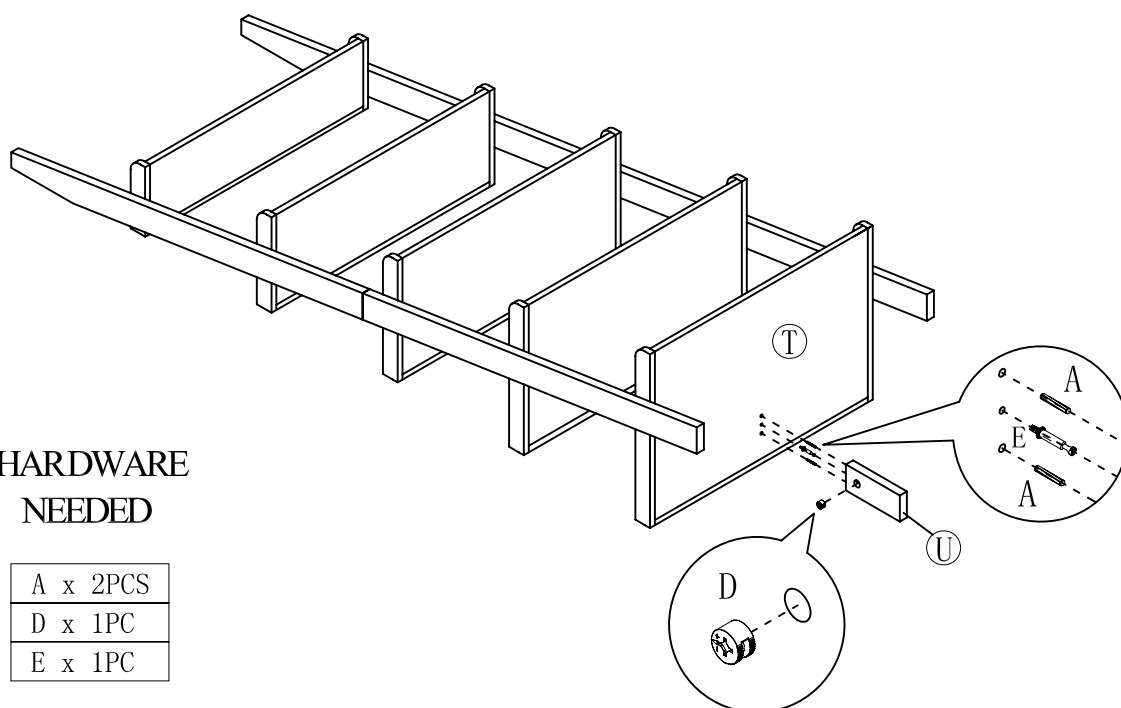


## STEP 5

1. Insert Dowels(A) and Cam Lock(D) into Foot(U).
2. Screw Cam bolt(E) into Shelf(T).
3. Attach Foot(U) to Shelf(T) and gently tighten Cam Lock(D).

### HARDWARE NEEDED

A x 2PCS
D x 1PC
E x 1PC

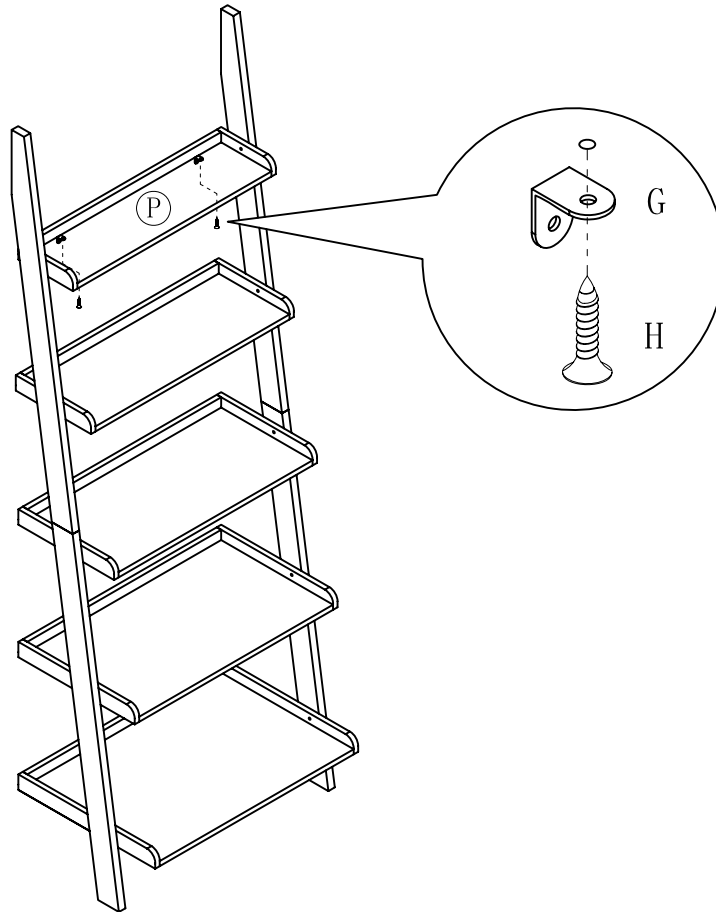


## STEP 6

Attach Metal Brackets(G) to shelf(P) using Screws(H) as shown.

### HARDWARE NEEDED

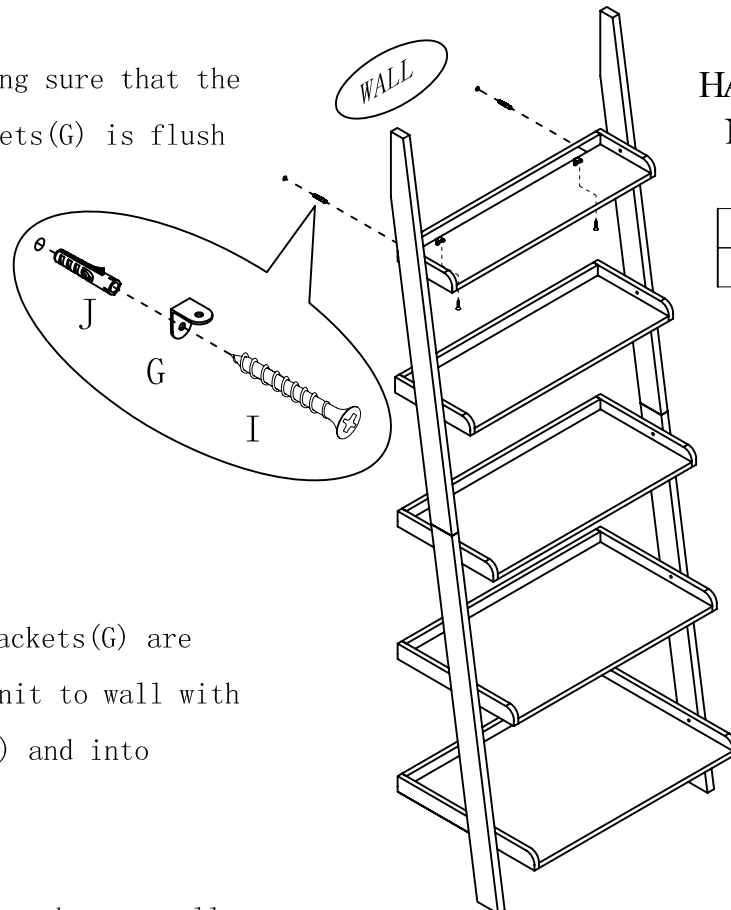
G x 2PCS
H x 2PCS



## STEP 7

1. Place unit against wall making sure that the back of each shelf and Brackets(G) is flush against the wall.
2. Mark Bracket holes on wall.
3. Move unit and drill holes in wall slightly smaller than Anchor(J).
4. Insert Anchor(J) into holes.
5. Reposition unit and realign Brackets(G) with Anchors(J).
6. Make sure all shelves and Brackets(G) are flush with the wall. Attach unit to wall with Screws(I) through Brackets(G) and into Anchors(J).
7. ENJOY

\* Special Note: It is important to make sure all shelves are flush against wall to increase stability.\*



### HARDWARE NEEDED

I x 2PCS
J x 2PCS