

# JONATHAN ADLER

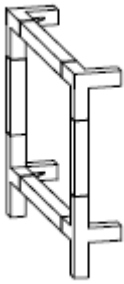
## Jacques Two Tier Accent Table

### Assembly Instructions

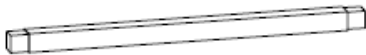
- For ease of assembly two people are recommended.

#### Parts Included:

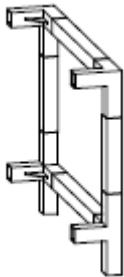
- (1pc) Left Side Panel – A



- (4pcs) Acrylic Bar – B



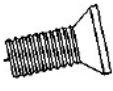


- (1pc) Right Side Panel – C



- (2pcs) Clear Tempered Glass Shelf – D

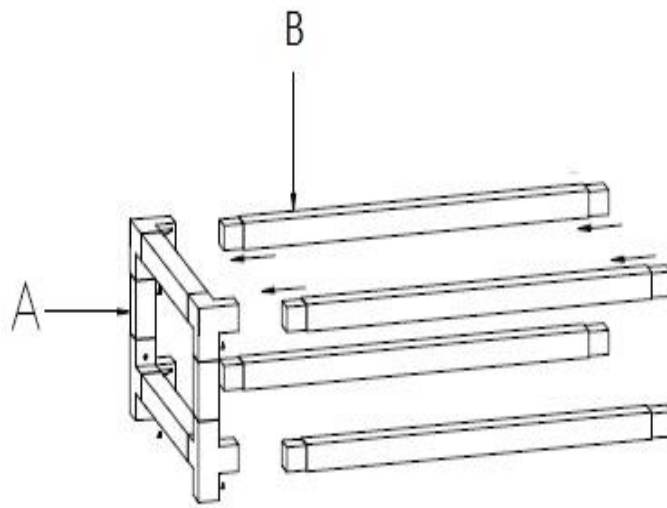


#### Hardware Enclosed :

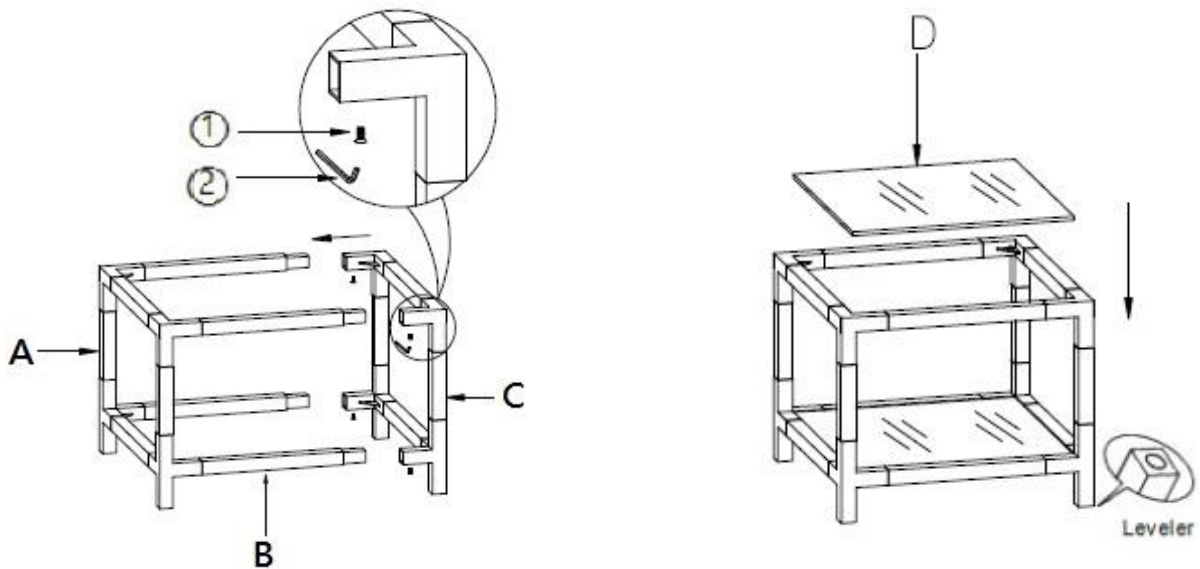
①	 Screw	8pcs
②	 Allen Wrench	1pc
③	 Rubber Pads	8pcs

#### Assembly Instructions:

1. Remove all the components from their boxes and place them on a carpeted or scratch-free surface.
2. Place the Left Side Panel (A) on the ground and then insert Acrylic Bars (B) into the corresponding hole. Secure with the Screws ① using the enclosed Allen Key ②.



3. Attach Right Side Panel (C) to Acrylic Bars (B) and secure with Screws ① by using the enclosed Allen Key ②.
4. Attach each Rubber Pads ③ to the corners of the table and then carefully place the Tempered Glass Shelf (D) on Rubber Pads ③.
5. Adjust the Levelers under the Side Panel (A) (C) for stability, if needed.



6. Assembly is complete.

