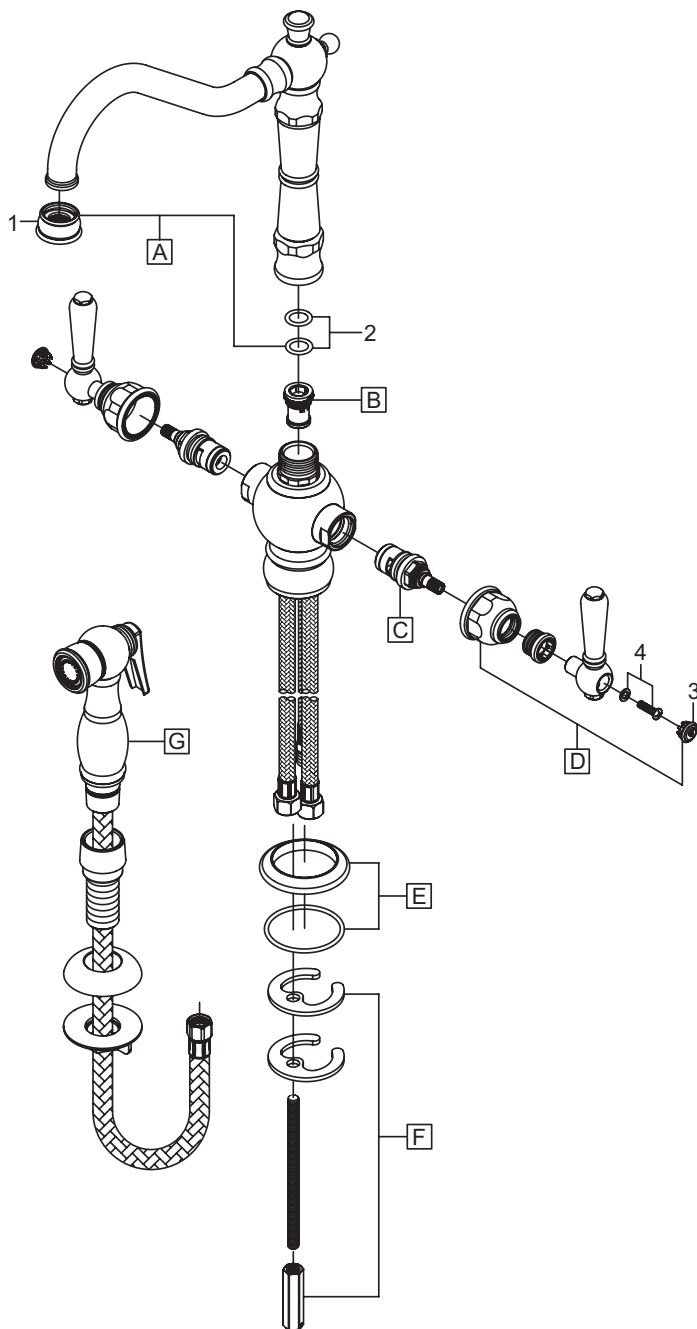


# Exploded Drawing : 2AM401

\* Note: Please specify finish/color when ordering.

	ITEM #	DESCRIPTION
A	X-2200012*	Americana Spout
B	X-4200016	Diverter Piston (For 2AM401)
C	X-3200004C, H	Ceramic Stem-Cold, Hot
D	X-1200007C, H*	Lever Handle-Cold, Hot
E	X-4200062*	Escutcheon and O-ring
F	X-5900002	Mounting Kit
G	X-4200059*	Side Spray Assembly (For 2AM401)
1	X-4900091*	1.5 GPM Aerator
2	X-4900012	Spout O-Rings
3	X-4900042C, H*	Handle Button-Cold, Hot
4	X-4900043	Handle Screw





# PARTS BREAKDOWN SHEET ENGINEERING EXCELLENCE

## Model Number: 2AM401

\* Note- Please Specify finish\color code while ordering.

\* Note - Part #5 includes only on the product purchased after March 2019.

	ITEM #	DESCRIPTION
A	X-2200012*	Americana Spout
B	X-4200016	Diverter Piston (For 2AM401)
C	X-3200004C, H	Ceramic Stem-Cold, Hot
D	X-1200007C, H*	Lever Handle-Cold, Hot
E	X-4200062*	Escutcheon and O-ring
F	X-5900002	Mounting Kit
G	X-4200202*	Side Spray Assembly (For 2AM401)
1	X-4900091*	1.5 GPM Aerator
2	X-4900012	Spout O-Rings
3	X-4900042C, H*	Handle Button-Cold, Hot
4	X-4900043	Handle Screw
5	OP-420083	Quick Connect Adapter

