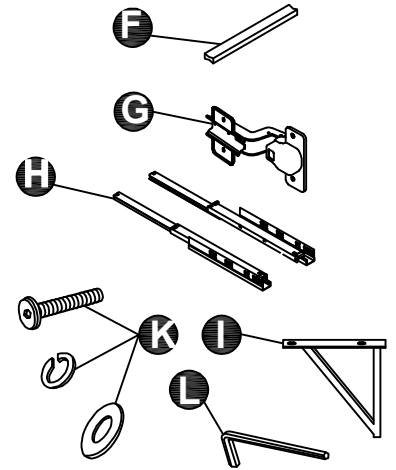
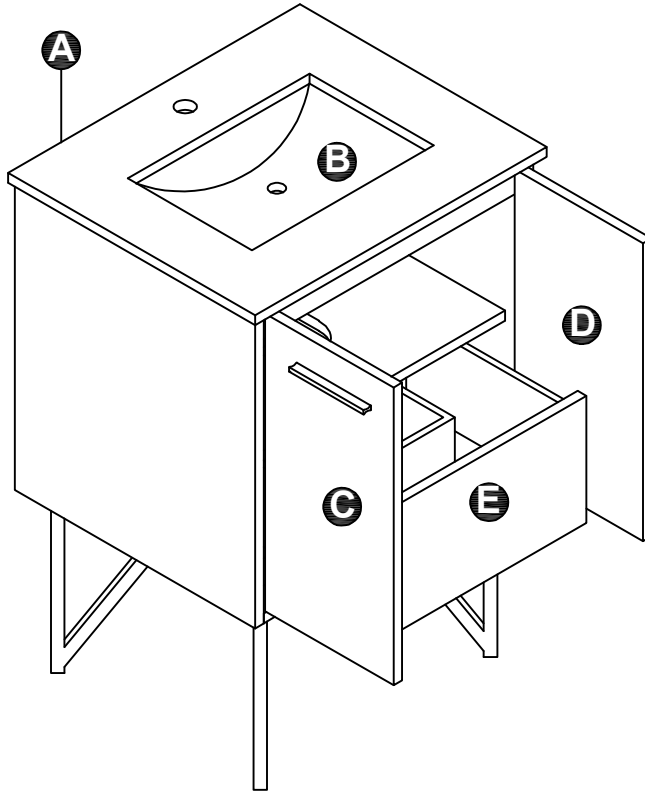


PART LIST

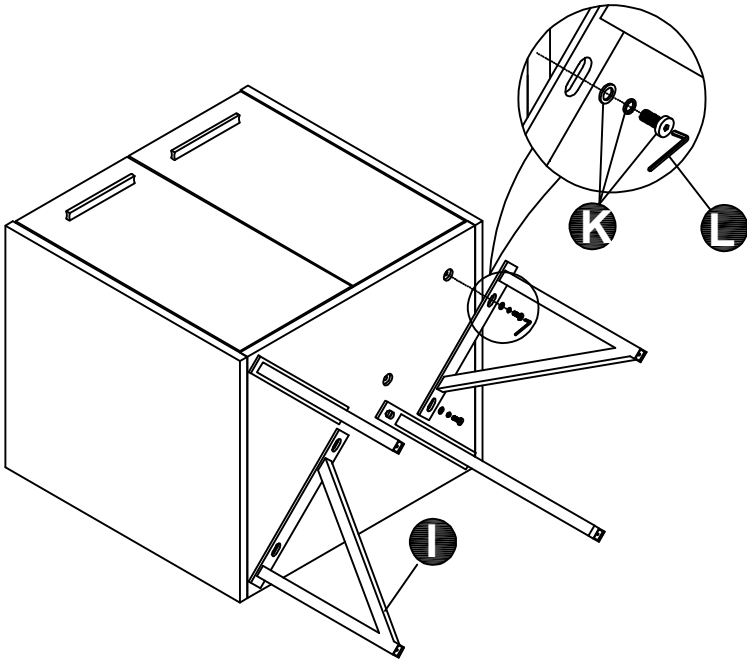


PART	DESCRIPTIONS	QUANTITY
A	Countertop	1
B	Basin	1
C	Door Left	1
D	Door Right	1
E	Drawer	1
F	Handle	2
G	Hingle	6

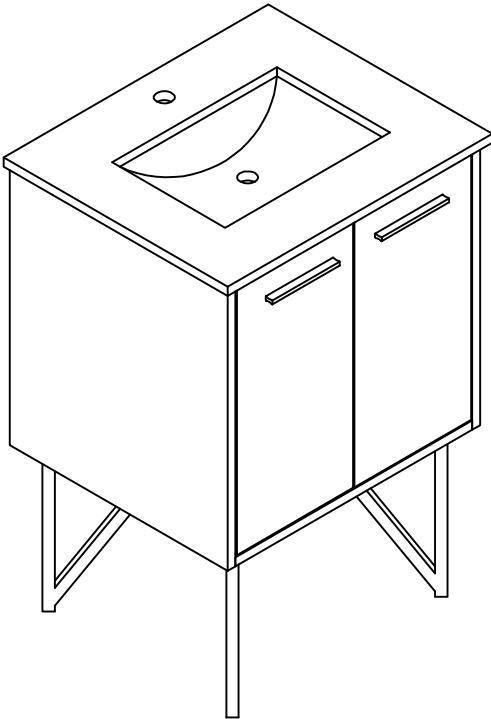
PART	DESCRIPTIONS	QUANTITY
H	Drawer glides	1
I	Legs support	4
K	Hardware support	4
L	Allen Key	1

INSTALLATION

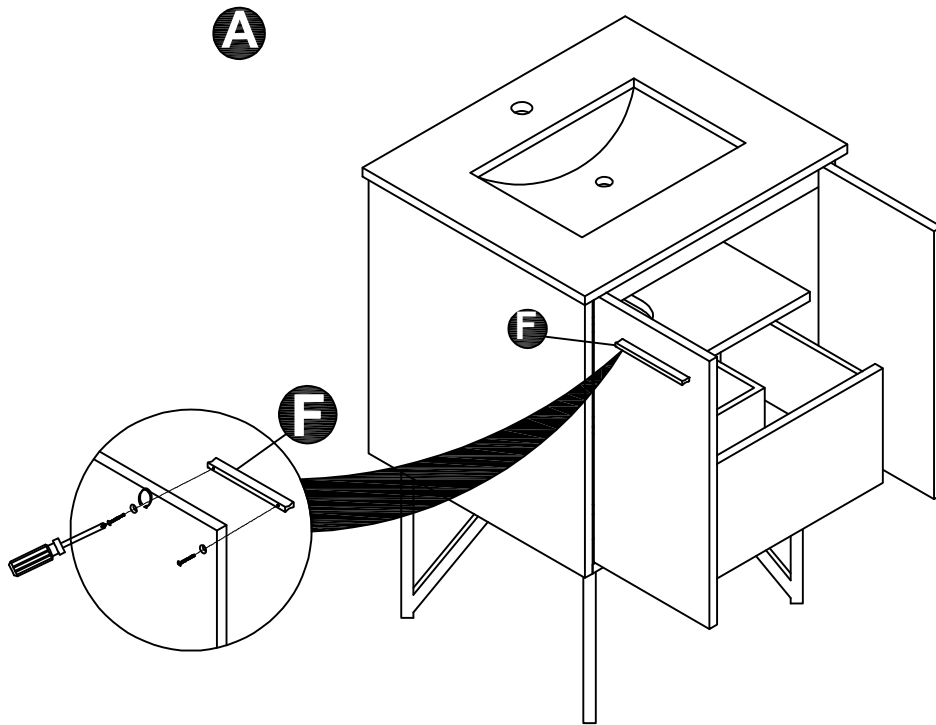
A



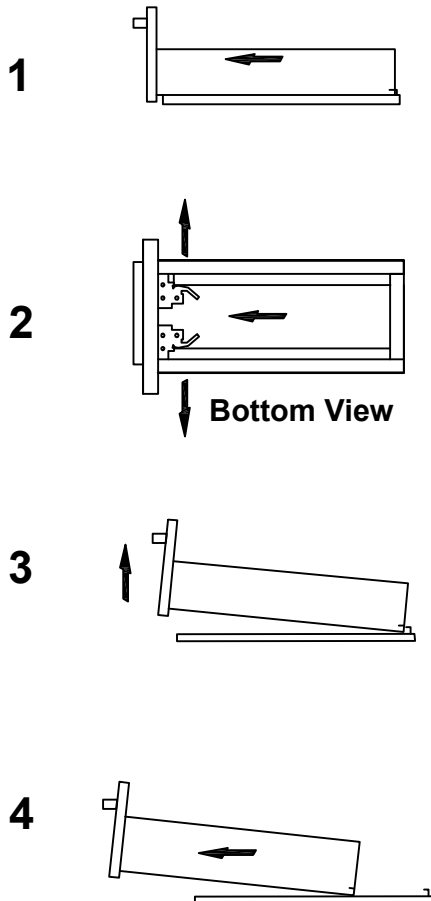
B



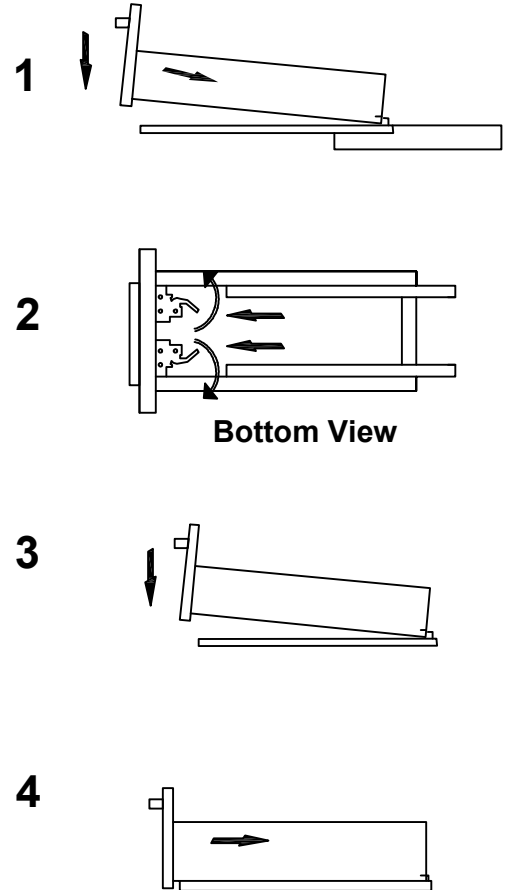
DRAWER



REMOVE



INSTALL

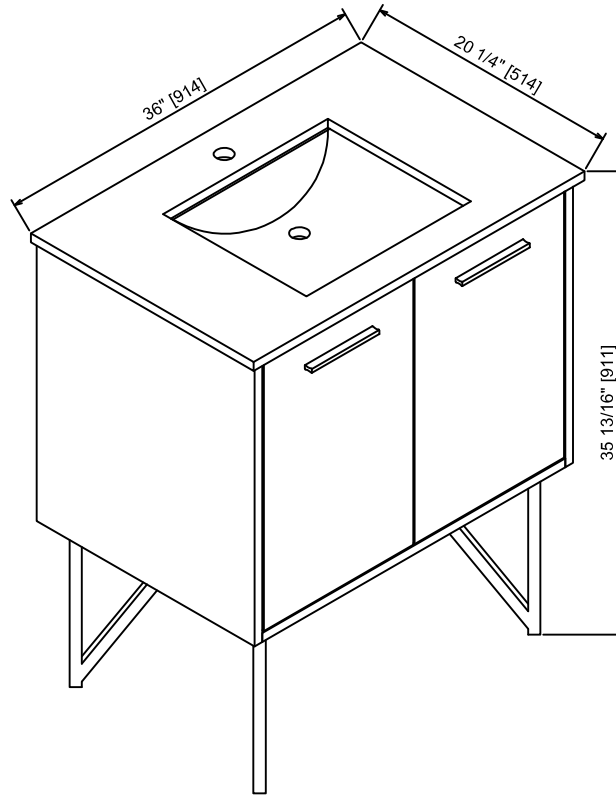




LEXORA®

HOME DECOR & HOME FURNISHINGS

LLC36SKSOS000



DIMENSIONS

