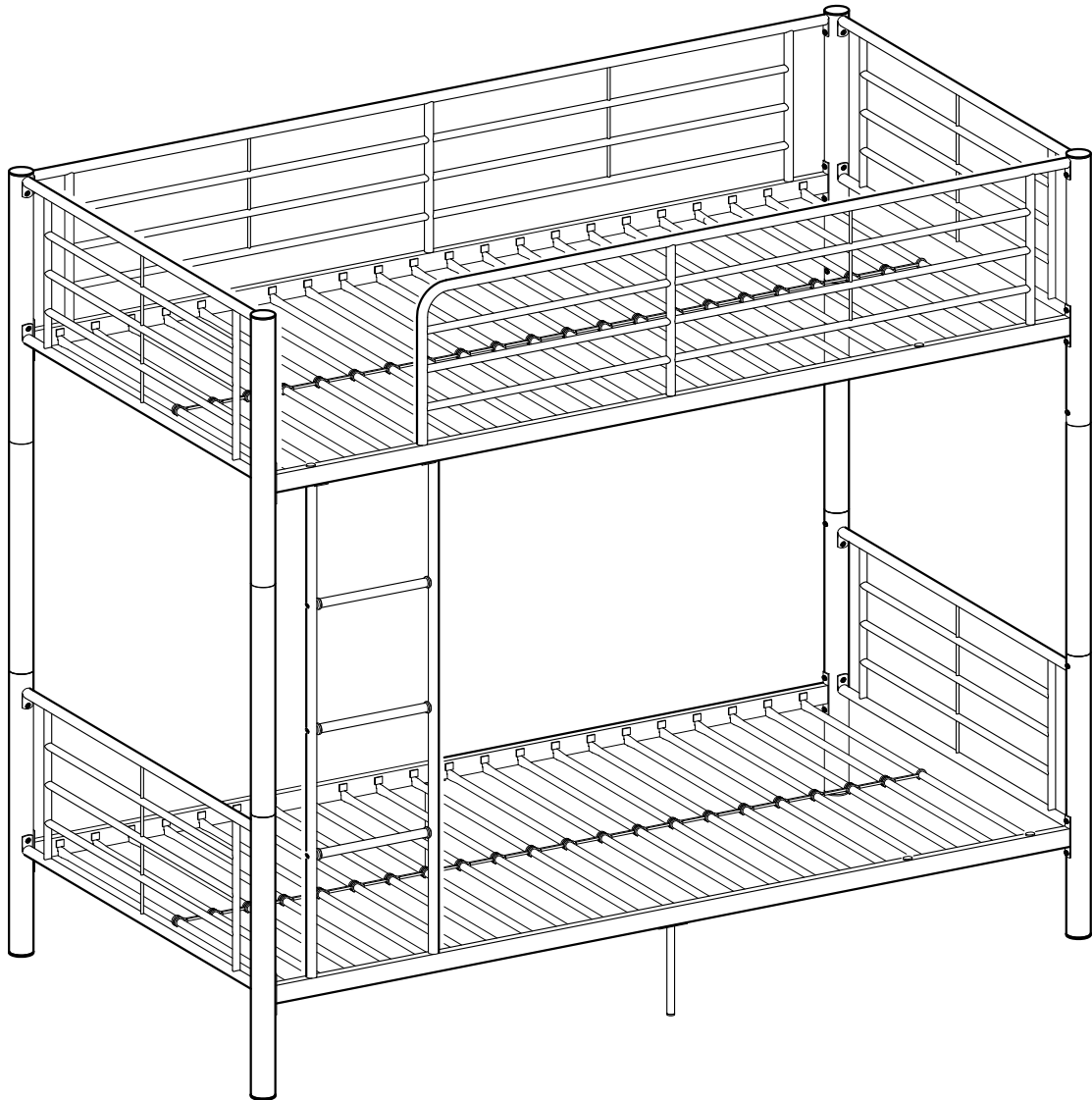


W Walker[®]
Edison
furniture company

ITEM # : BTOT
Assembly Instructions



Please visit our website for the most current instructions, assembly tips, report damage, or request parts. www.walkeredison.com

Revised 03/2017



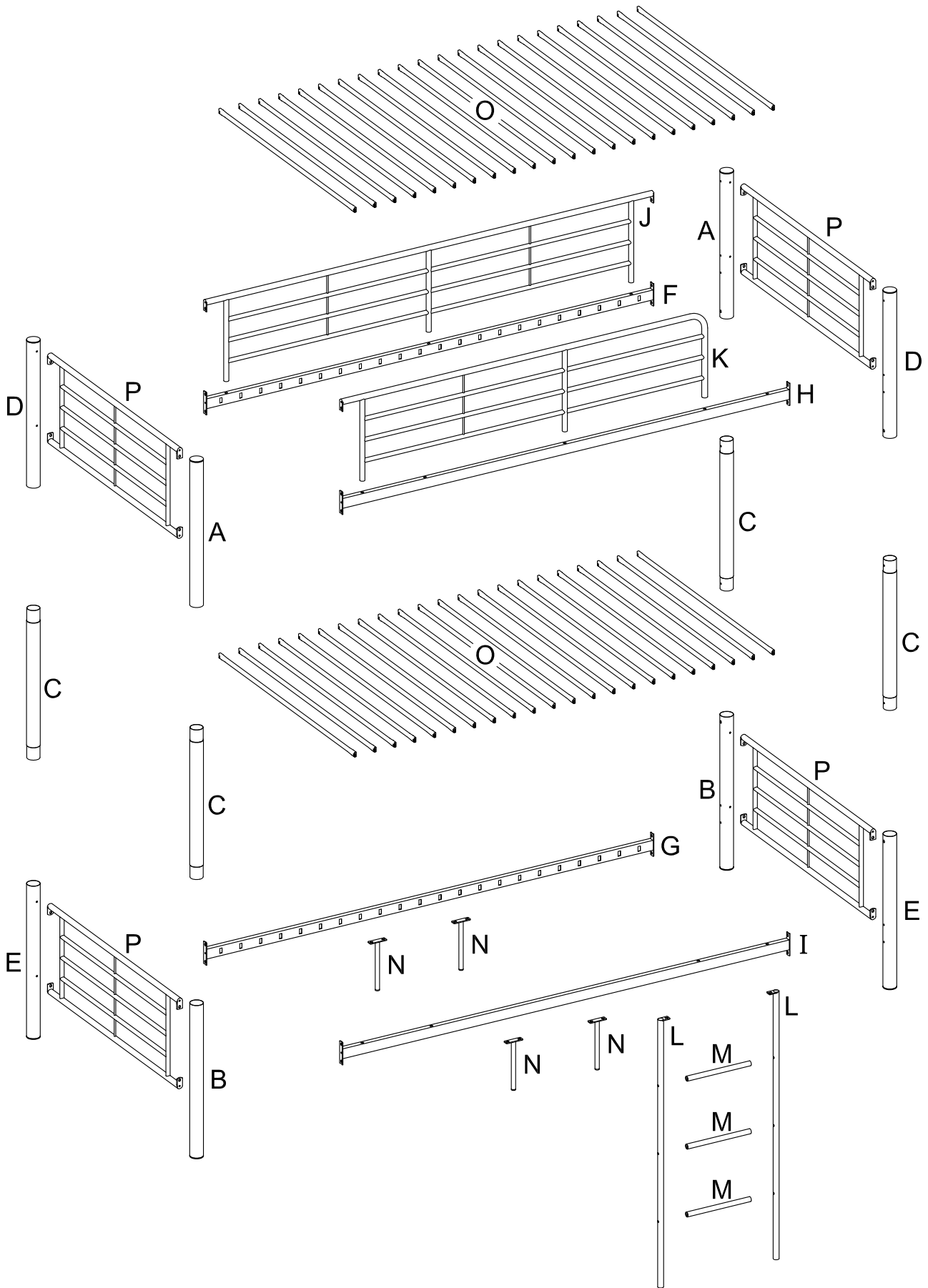
Instruction Manual

WARNING




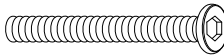


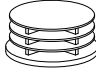
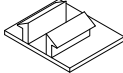
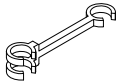

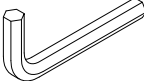
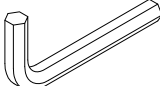
IMPORTANT INFORMATION MUST READ BEFORE ASSEMBLING PRODUCT

- Follow the information on the warnings appearing on the upper bunk end structure and on the carton. Do not remove warning label from bed.
- Use only a mattress which is 74-75" L x 37.5-38.5"W x 9"H on the upper and lower bunk.
- Replacement Parts—Replacement parts, including additional guardrails, may be obtained from any of Walker Edison Furniture's dealers or by contacting Walker Edison Furniture online at www.walker-edison.com.
- Follow the information on the warnings appearing on the upper bunk end structure and on the carton. DO NOT remove warning label from bed.
- Always use the recommended size mattress or mattress support, or both, to help prevent the likelihood of entrapment or falls.
- Surface of mattress must be at least 5 in. (127mm) below the upper edge of guardrails. Mattress must not exceed a maximum thickness of 9 inches.
- DO NOT allow children under 6 years of age to use the upper bunk.
- Periodically check and ensure that the guardrail, ladder, and other components are in their proper position, free from damage, and that all connectors are tight.
- DO NOT allow horseplay on or under the bed and prohibit jumping on the bed.
- Always use the ladder for entering and leaving the upper bunk.
- DO NOT use substitute parts. Contact the manufacturer or dealer for replacement parts.
- Use of a night light may provide added safety precaution for a child using the upper bunk.
- Always use guardrails on both long sides of the upper bunk. If the bunk bed will be placed next to the wall, the guardrail that runs the full length of the bed should be placed against the wall to prevent entrapment between the bed and wall.
- The use of water or sleep flotation mattresses is prohibited.
- STRANGULATION HAZARD – Never attach or hang items to any part of the bunk bed that are not designed for use with the bed; for example, but not limited to, hooks, belts and jump ropes.
- Prohibit more than one person on upper bunk.
- Keep these instructions for future reference.

Parts List



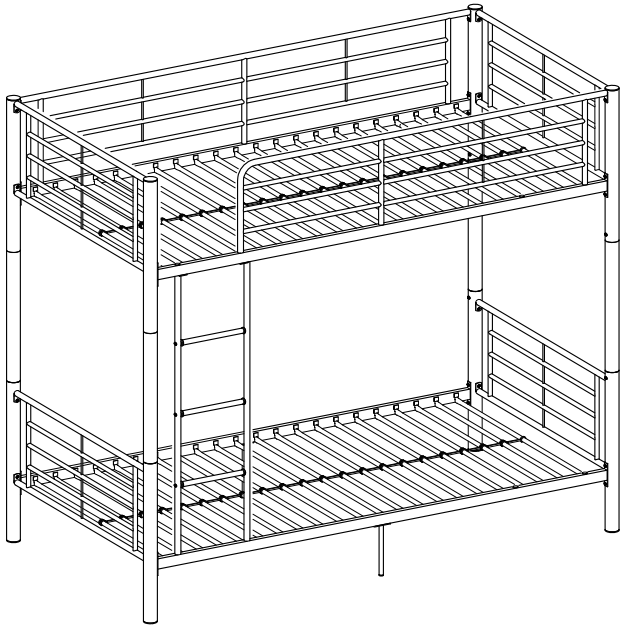
Hardware List

1		Ø1/4"x5/8"	Small bolt	53 pcs
2		Ø16	Small washer	52 pcs
3		Ø18	Large washer	8 pcs
4		Ø5/16"x2-1/4"	Large bolt	8 pcs
5		Ø1/4"x1-1/4"	Medium bolt	6 pcs
6			Washer	6 pcs
7			Plastic end cap	8 pcs
8			Plastic tab lock	88 pcs
9			Plastic link	42 pcs
10			Plastic plug	22 pcs
11		M4.0mm	Small wrench	1 pc
12		M5.0mm	Large wrench	1 pc

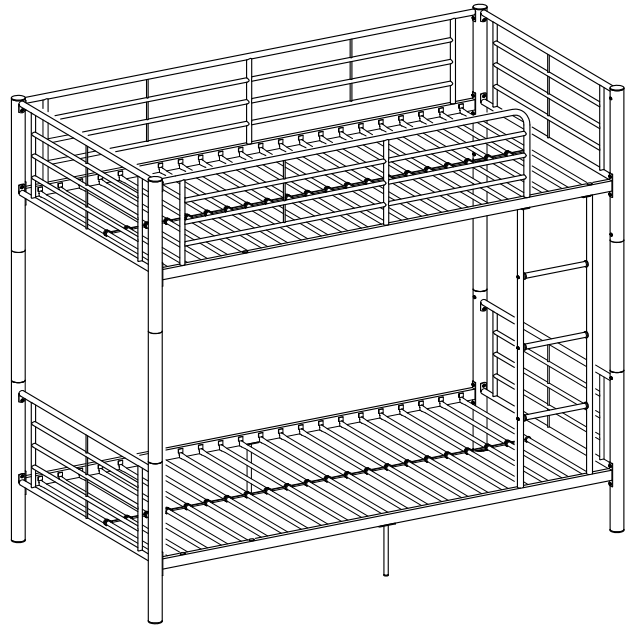
*The hardware quantities listed above are required for proper assembly.
Some extra hardware may also have been included.*

THREE ASSEMBLY OPTIONS

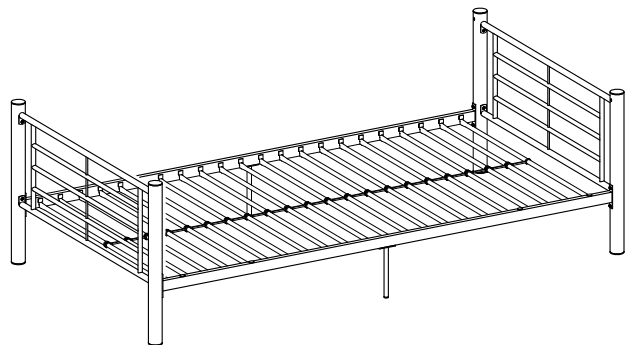
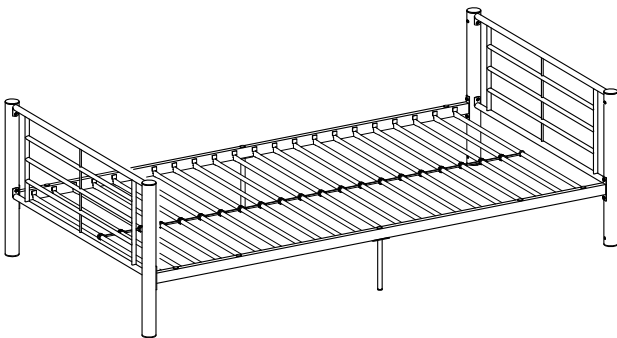
Option A



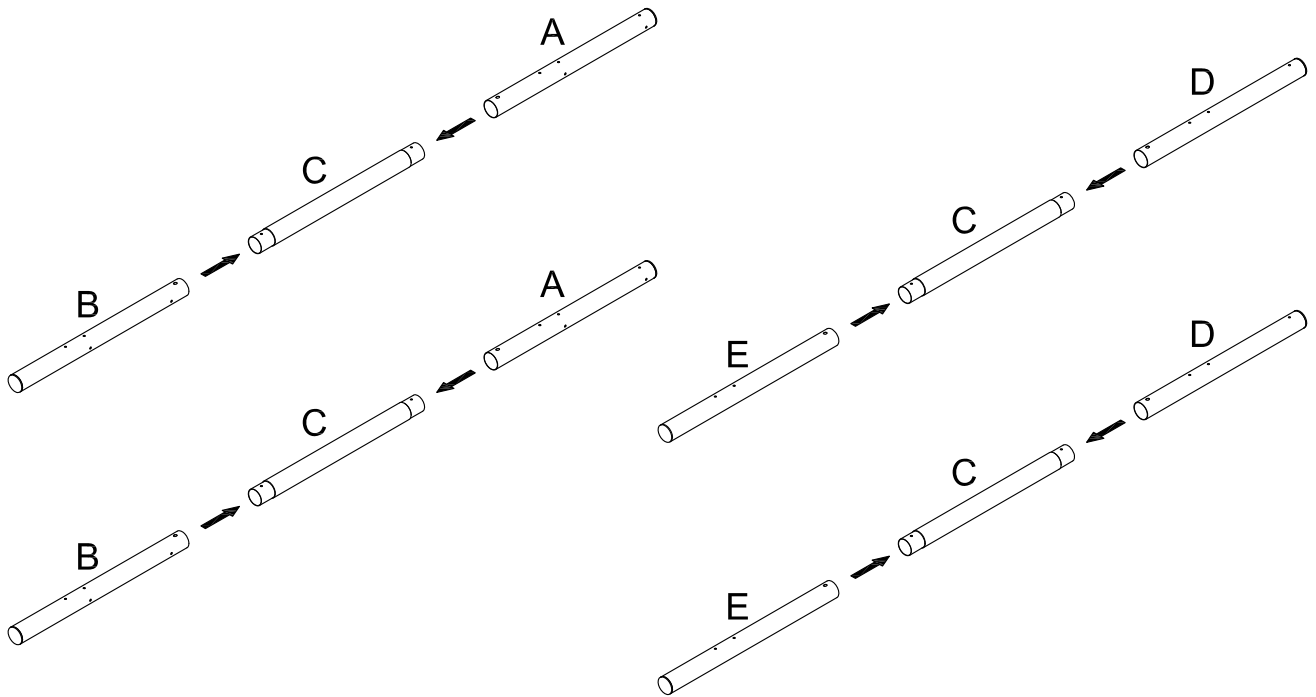
Option B



Option C

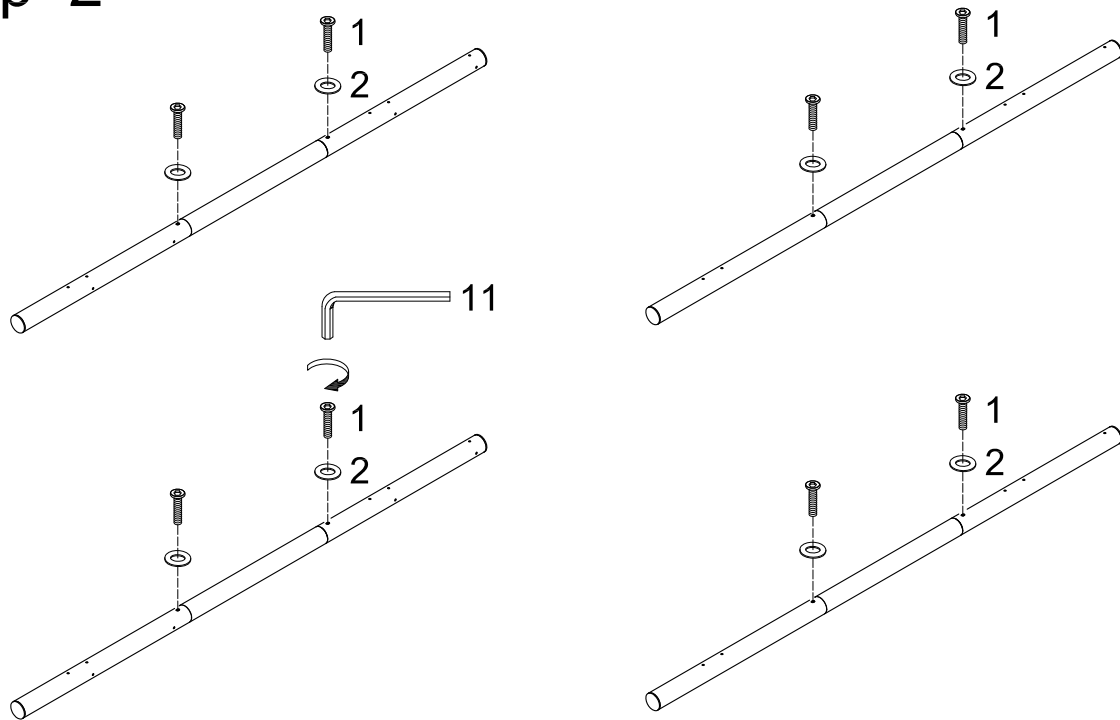


Step 1



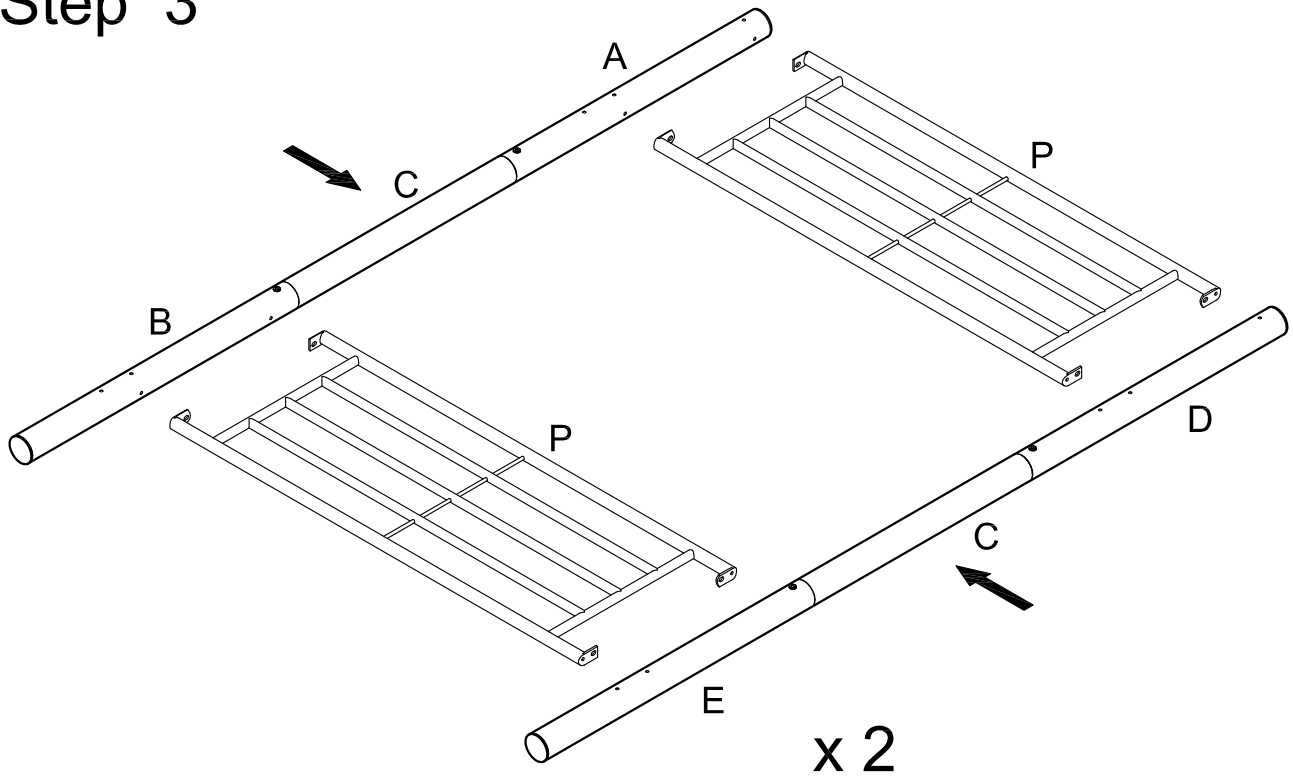
Assembly the four support posts by combining parts B, C, and A; then parts E, C, and D as shown in the illustration.

Step 2



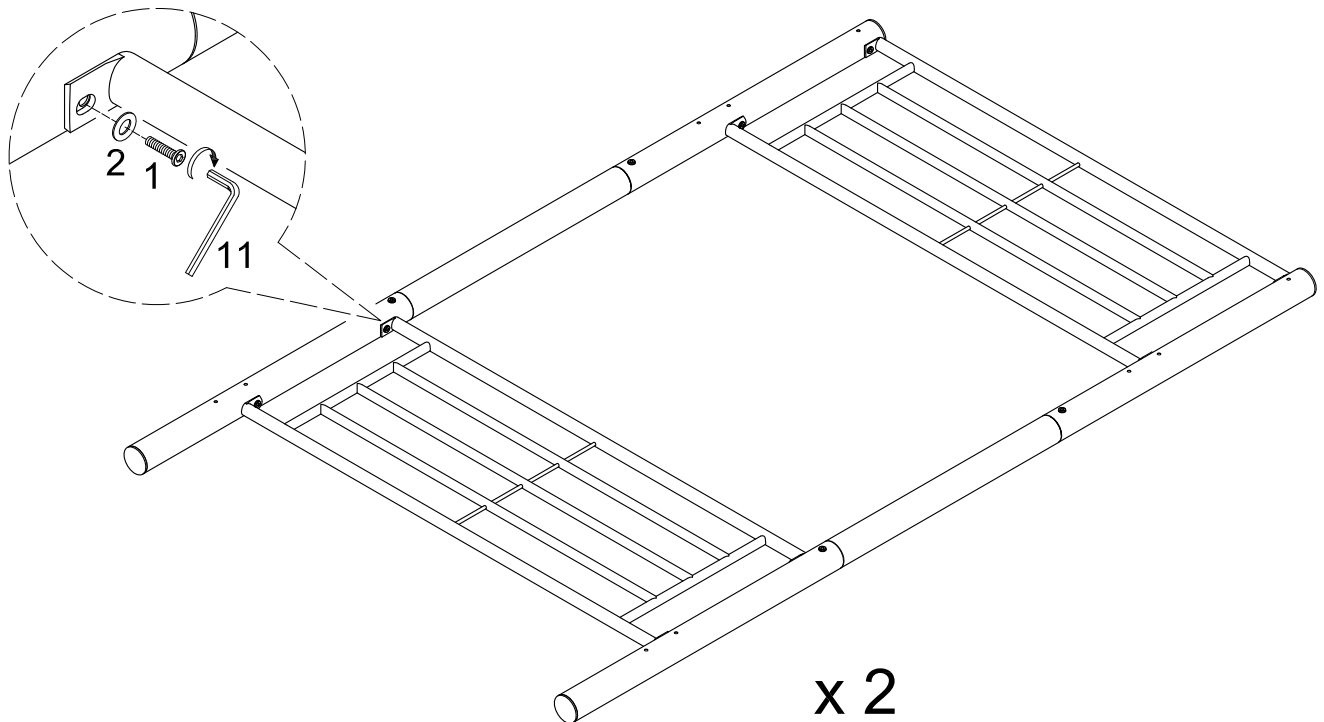
Secure these parts together using screws (1) and washers (2). Be sure to tighten firmly using wrench (11).

Step 3



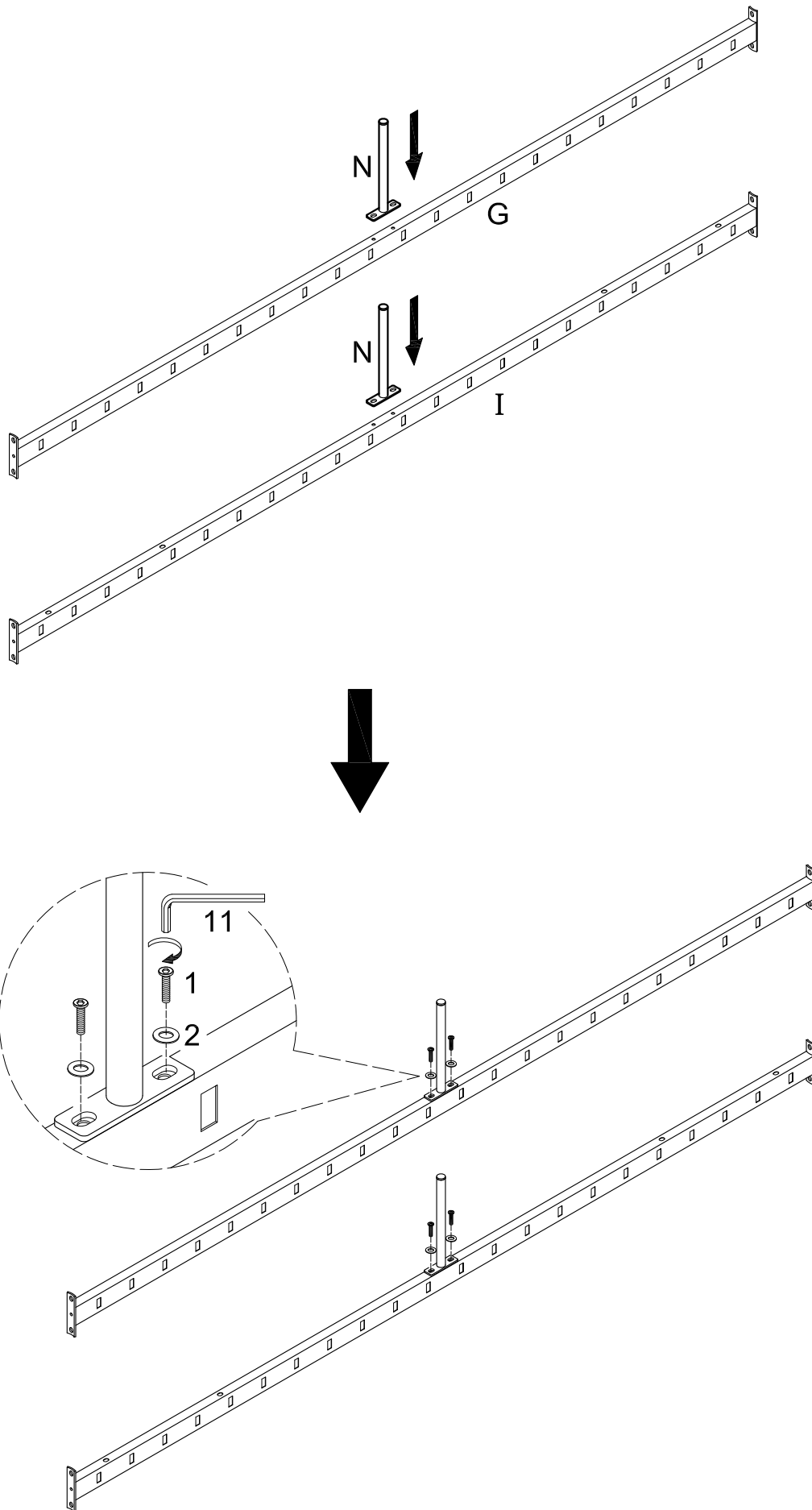
Place guardrails (P) between the assembled support posts as shown in the illustration.

Step 4



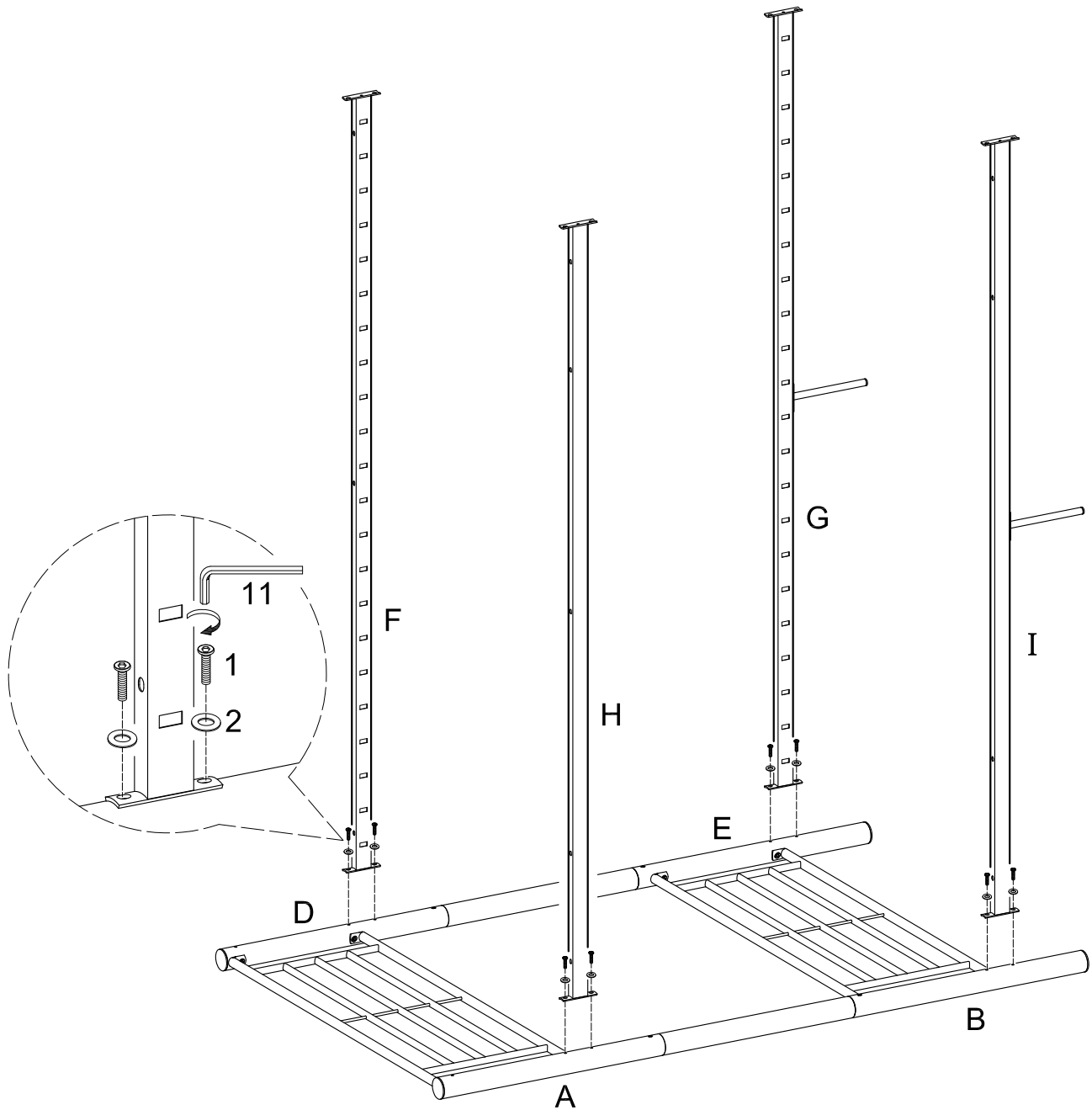
Secure guardrails to the support posts using screws (1) and washers (2) as shown in the illustration. Be sure to tighten firmly using wrench (11).

Step 5



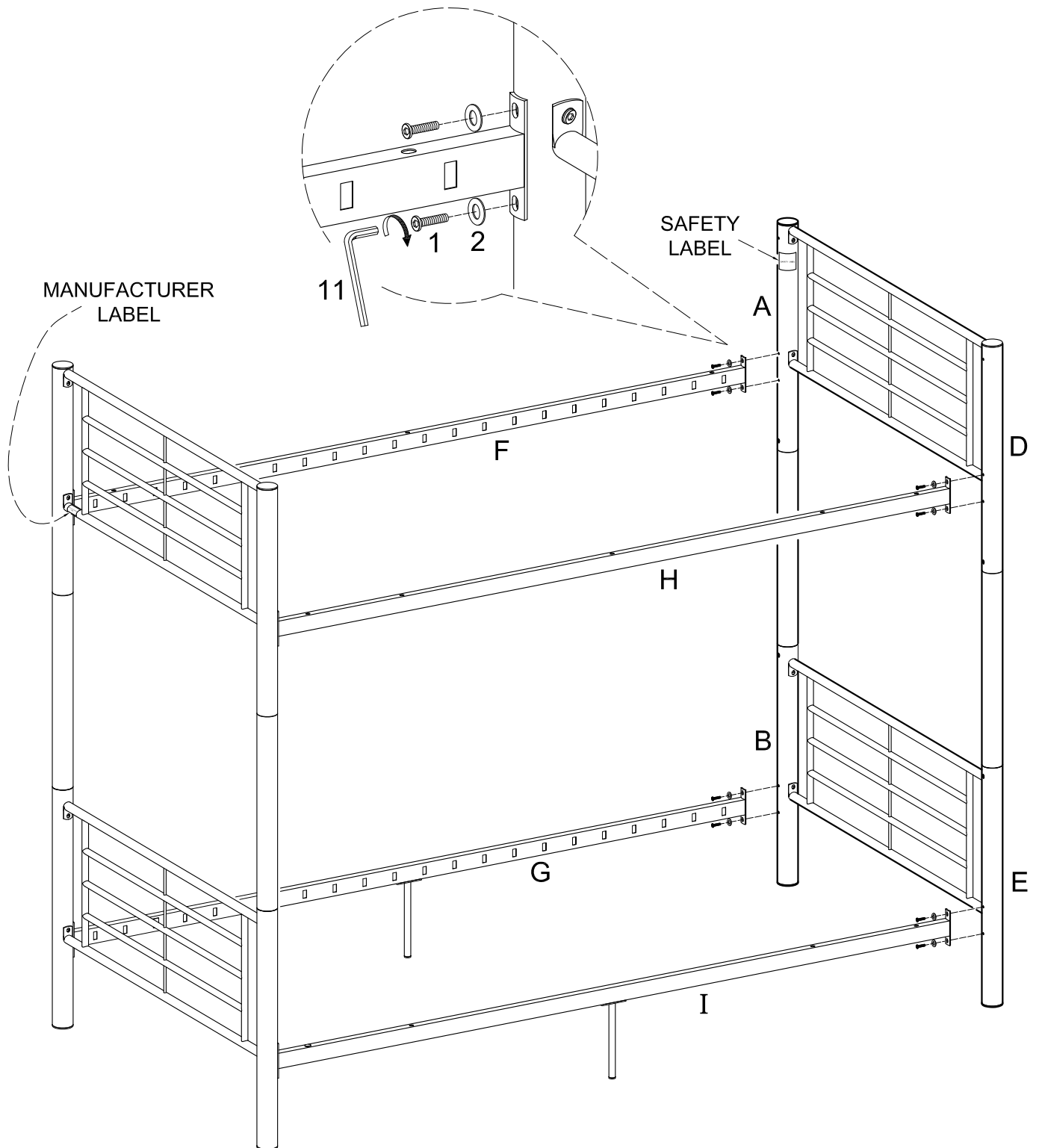
Attach legs (N) to the lower cross bars (G, I) using screws (1) and washers (2) as shown in the illustration. Tighten screws using hex wrench (11).

Step 6



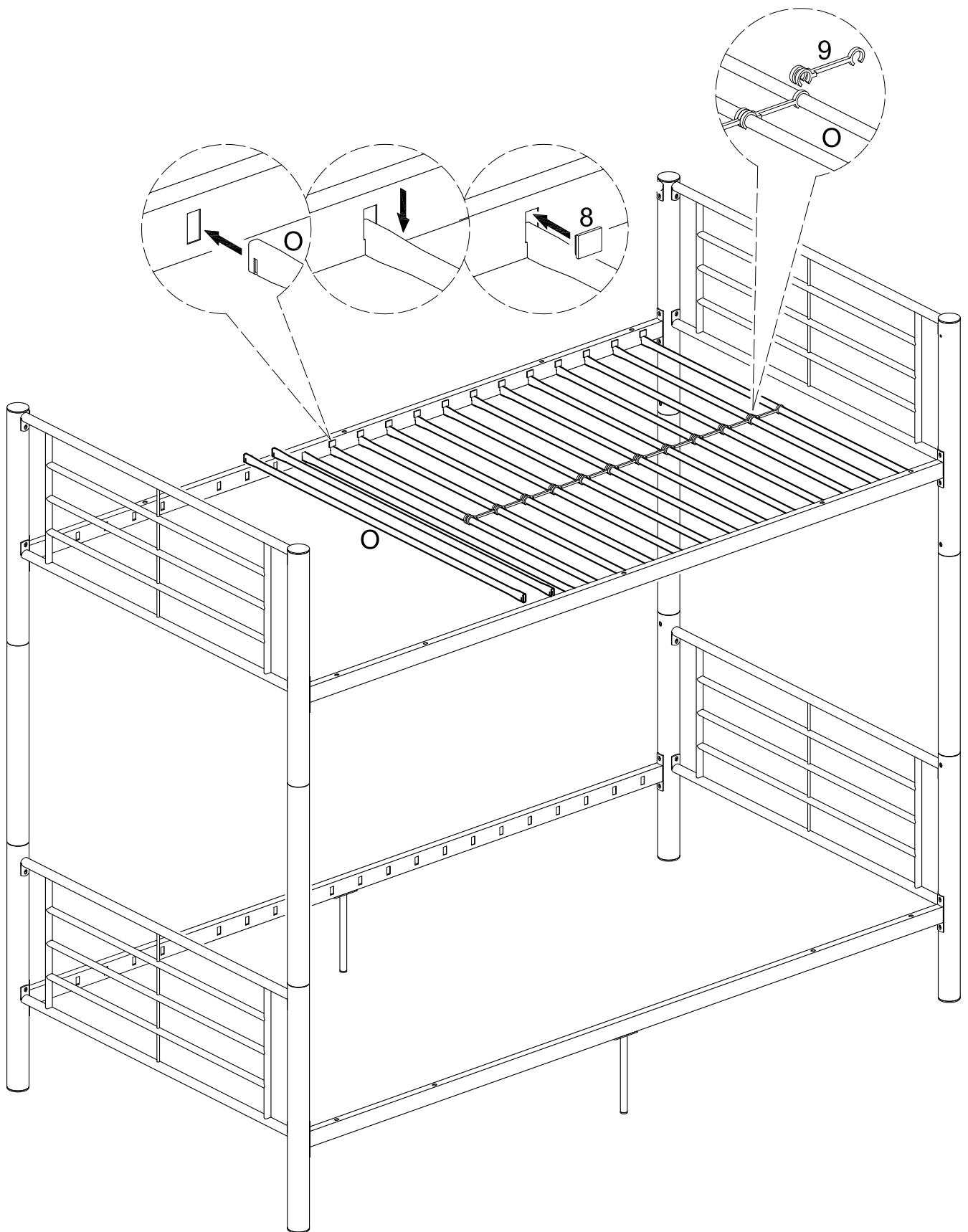
Attach lower cross bars (G, I) and upper cross bars (F, H) to the end supports in Step 3 using washers (2) and screws (1) as shown in the illustration. Ensure the slots on the cross bars are facing inward as shown in the illustration. Be sure to tighten all screws firmly using wrench (11).

Step 7



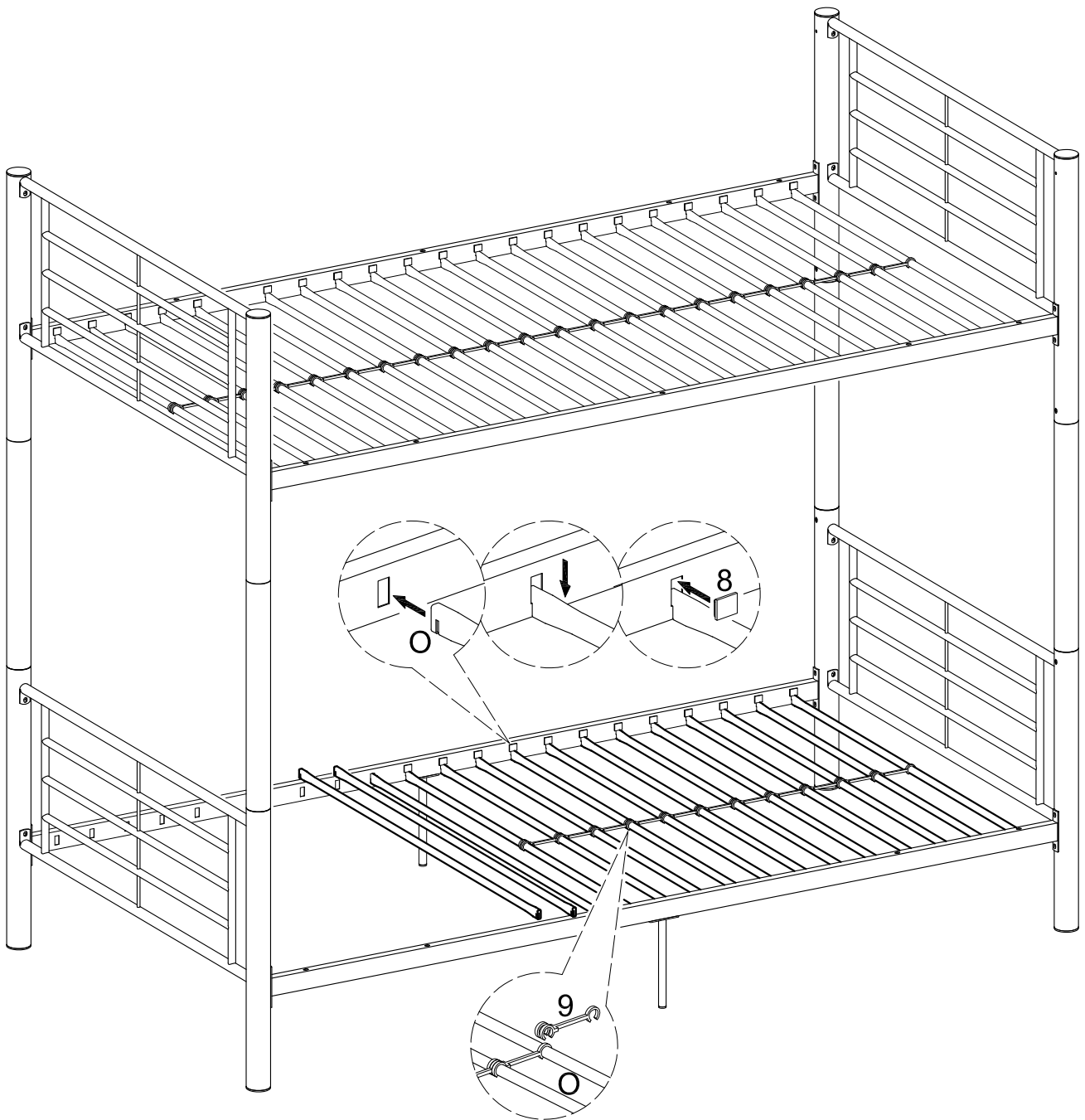
Attach another end supports assembled in Step 3 to bed frame using washers (2) and screws (1) as shown in the illustration. Ensure the slots on the cross bars are facing inward as step 6. Be sure to tighten all screws firmly using wrench (11).

Step 8



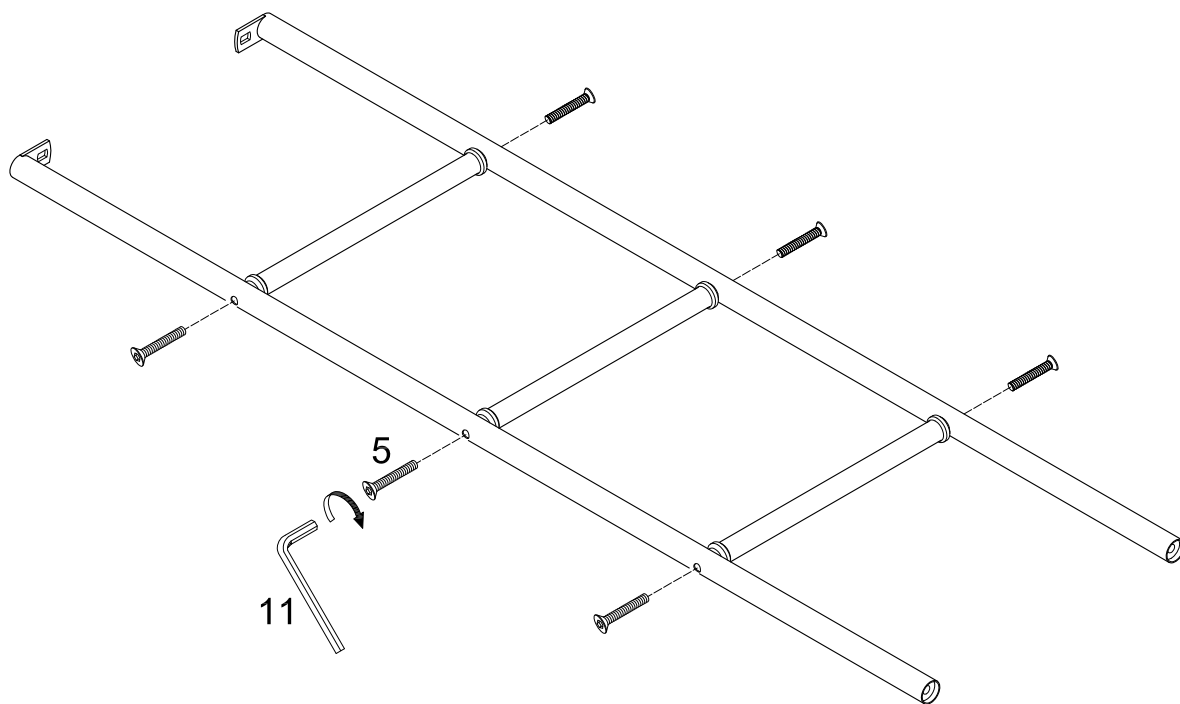
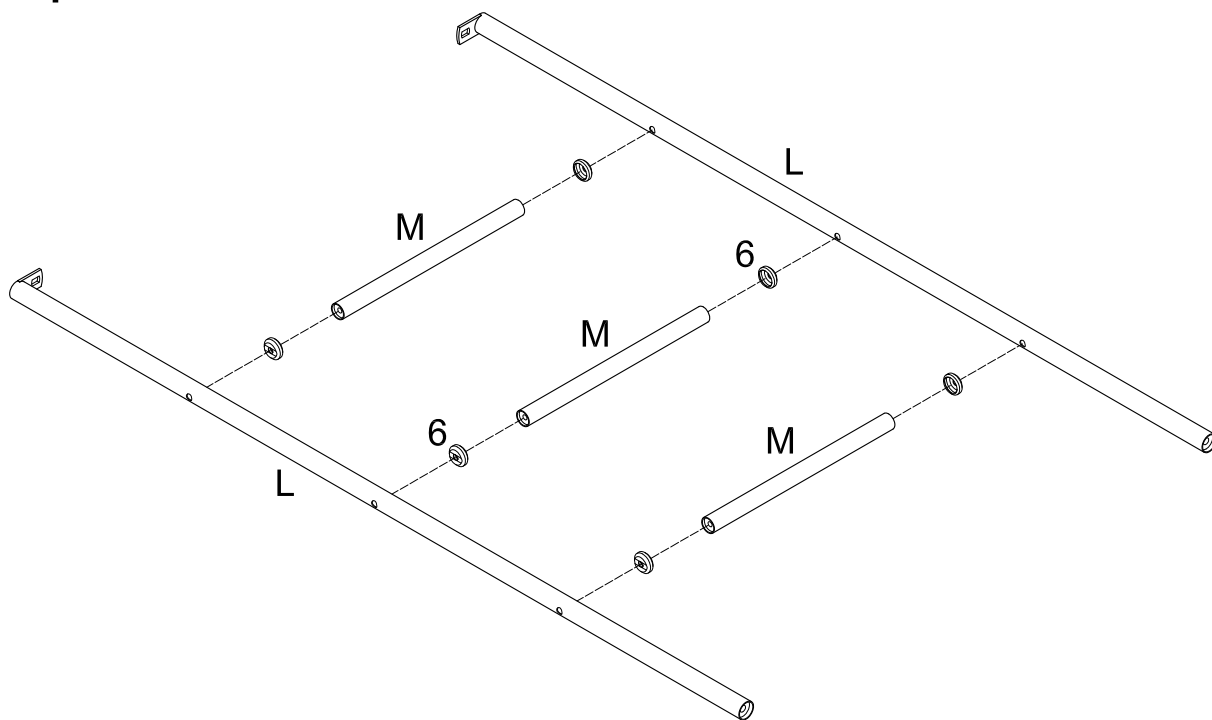
Insert mattress support bars (O) into the slots on the cross bars as shown in the illustration. Snap plastic tab locks (8) into each slot to lock the mattress support bars in place. Snap plastic links (9) into the middle of the mattress support bars as shown in the illustration.

Step 9



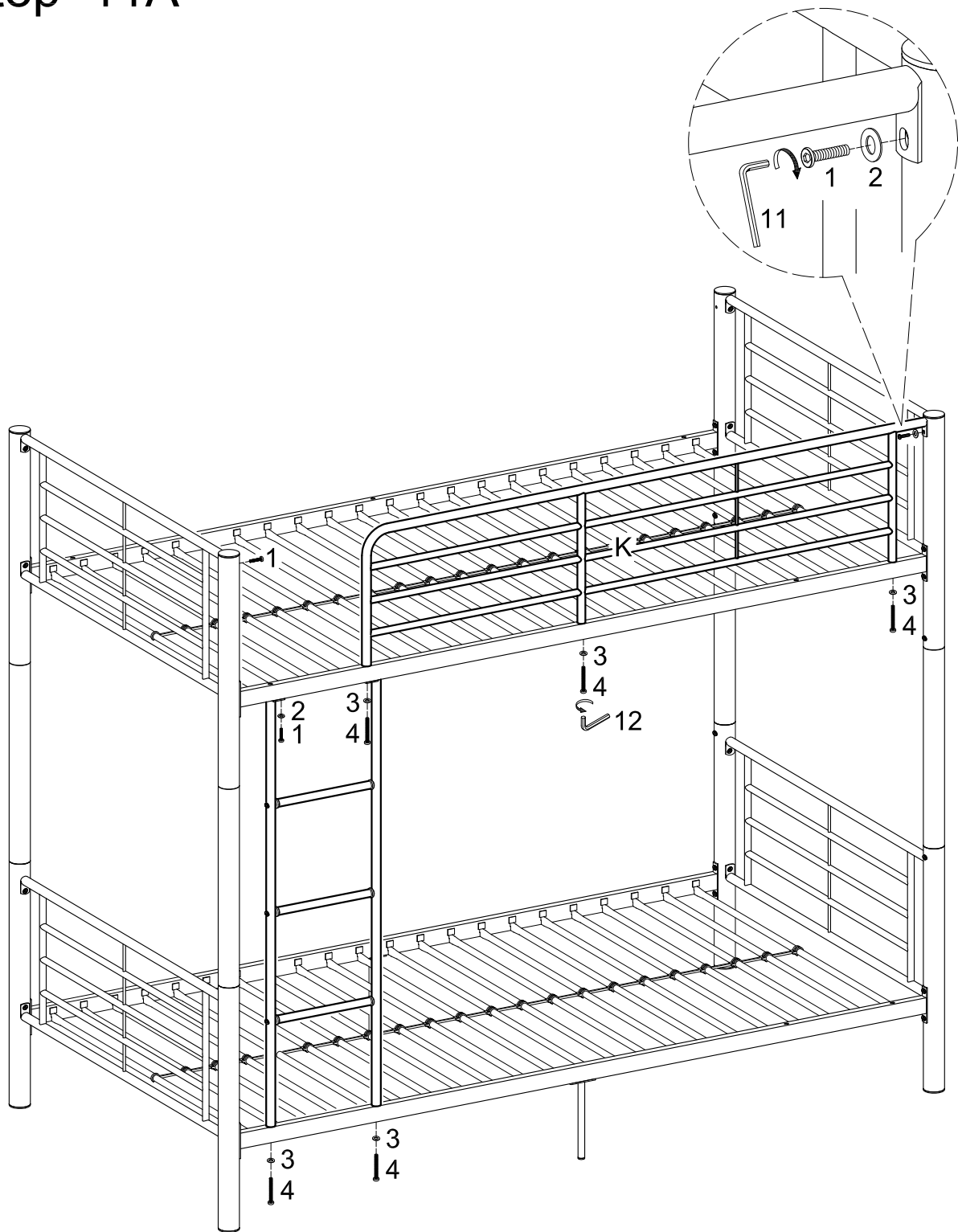
Insert mattress support bars (O) into the slots on the cross bars as shown in the illustration. Snap plastic tab locks (8) into each slot to lock the mattress support bars in place. Snap plastic links (9) into the middle of the mattress support bars as shown in the illustration.

Step 10



Attach the ladder steps (M) to the ladder support posts (L) using screws (5) and washers (6) as shown in the illustration.

Step 11A



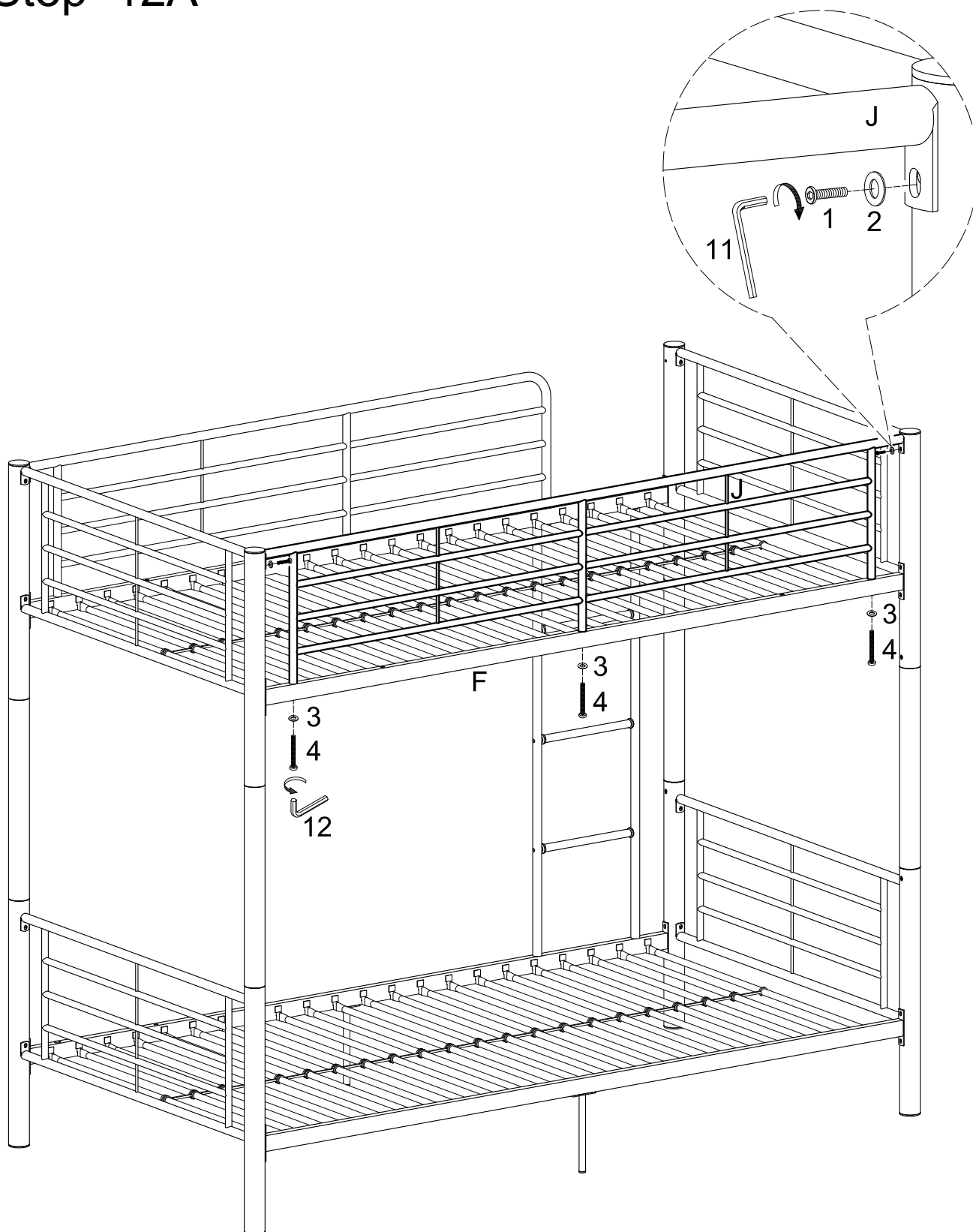
Attach ladder frame assembly to the upper cross bar on the right side using screw (1) and washer (2) on the left side using screw (3) and washer (4) as shown in the illustration.

Attach ladder support posts to the lower cross bar using screws (4) and washers (3) as shown in the illustration

Attach open guardrail (K) to the upper cross bar using screws (4) and washers (3), then attach upper guardrail (K) to the support post using screw (1) and washer (2) as diagram shown. Be sure to tighten all screws firmly.

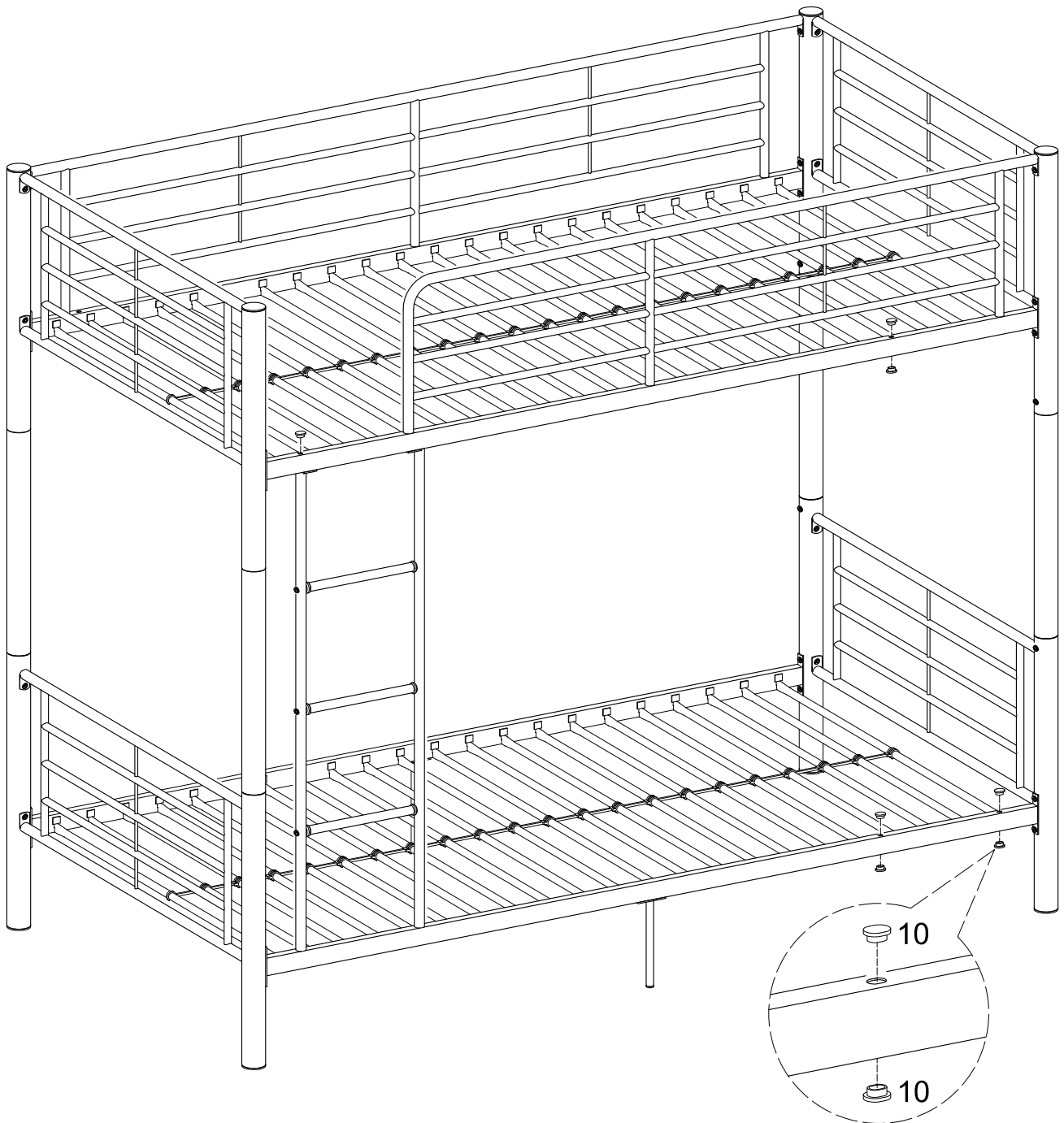
Note the ladder and open guardrail on the left side.

Step 12A



Attach back upper guardrail (J) to the back frame support beams using screws (1) and washer (2) as shown in the illustration. Attach guardrail to cross bar (F) using screws (4) and washers (3), tighten with wrench (12). Be sure to tighten all screws firmly.

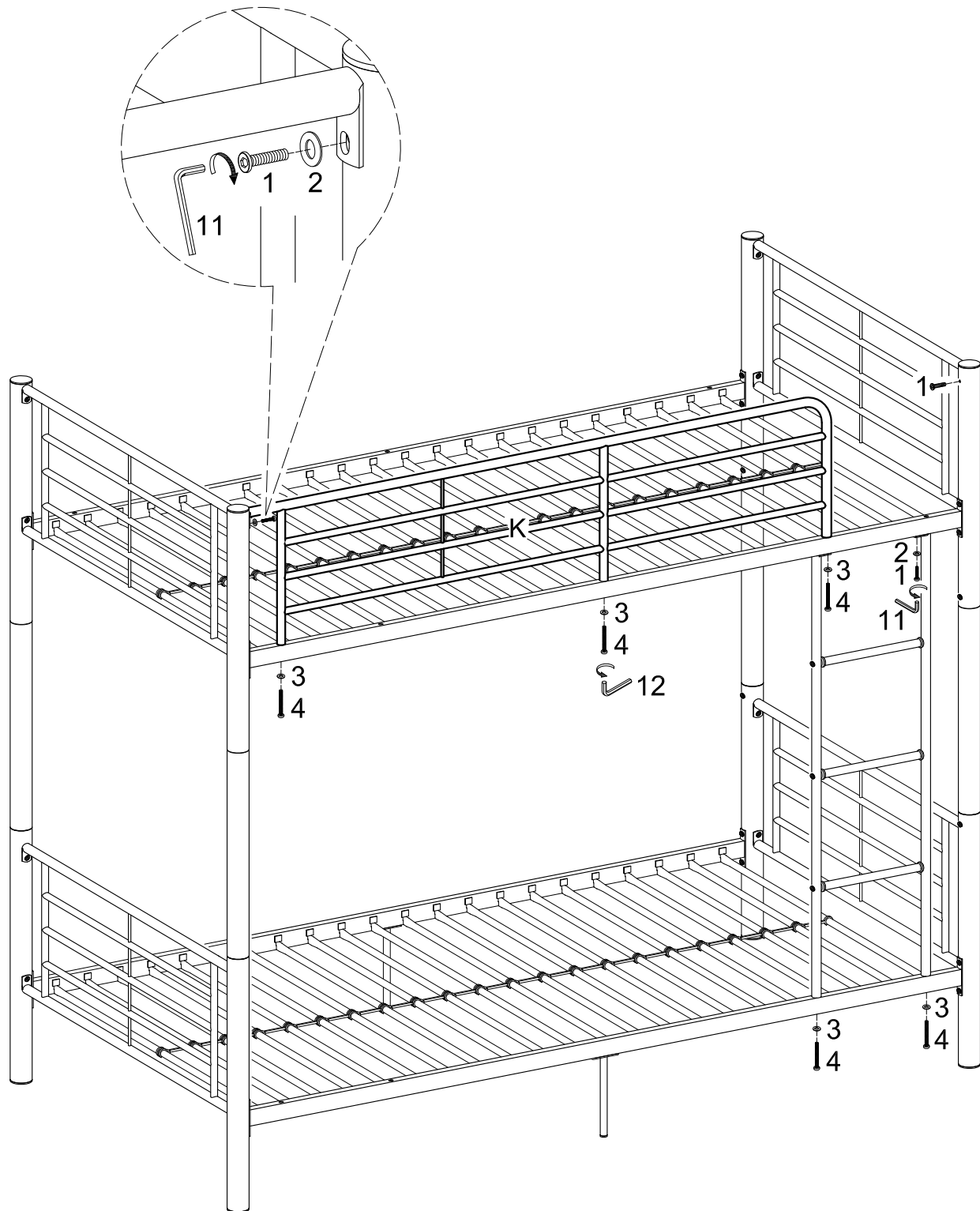
Step 13A



Place plastic plugs (10) into the holes in the front cross bars as shown in the illustration.
Snap plastic links (9) into the middle of the mattress support bars as shown in the illustration

OPTION A Final

Step 11B



Attach ladder frame assembly to the upper cross bar on the right side using screw (1) and washer (2) on the left side using screw (3) and washer (4) as shown in the illustration.

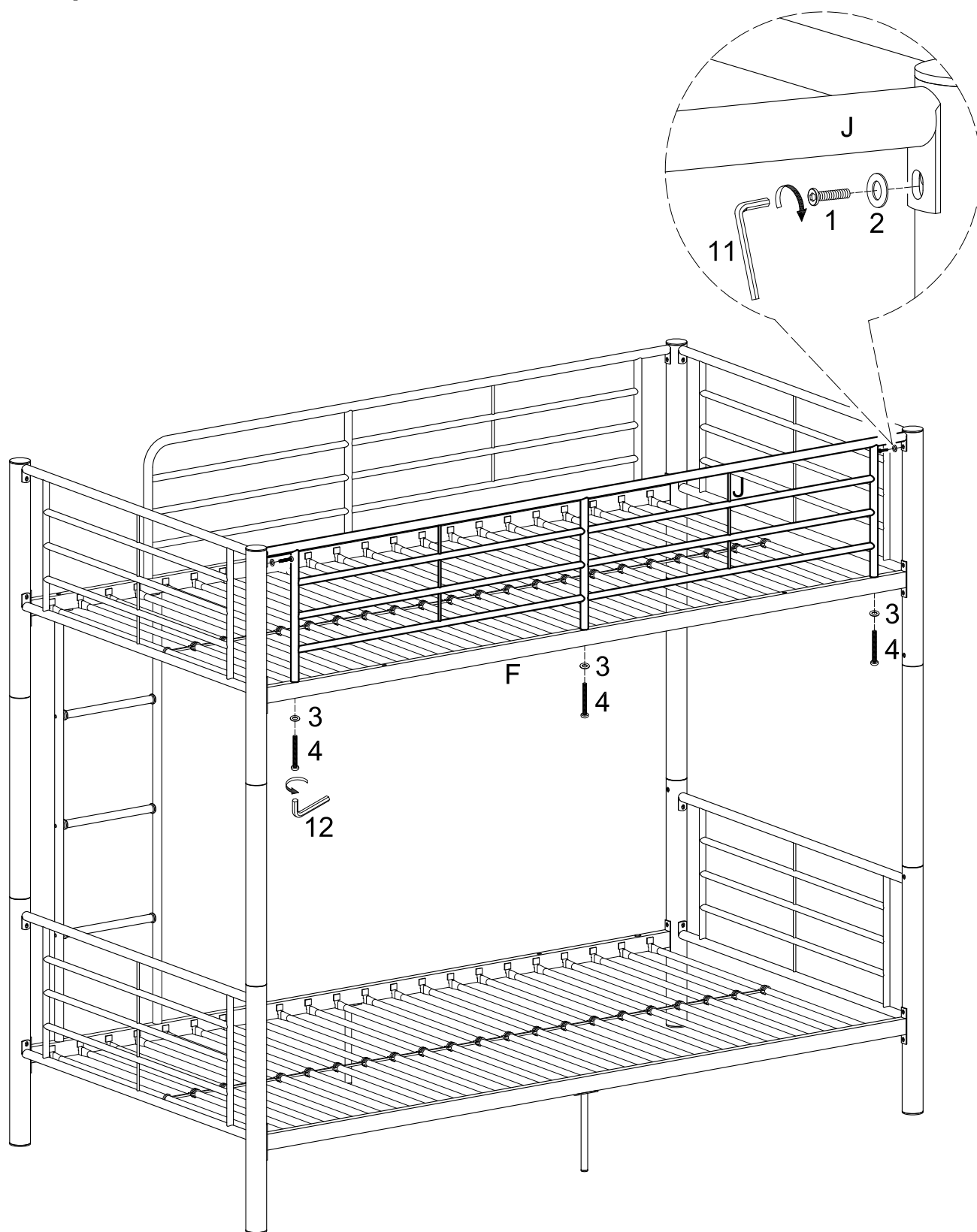
Attach ladder support posts to the lower cross bar using screws (4) and washers (3) as shown in the illustration

Attach open guardrail (K) to the upper cross bar using screws (4) and washers (3), then attach upper guardrail (K) to the support post using screw (1) and washer (2) as diagram shown.

Be sure to tighten all screws firmly.

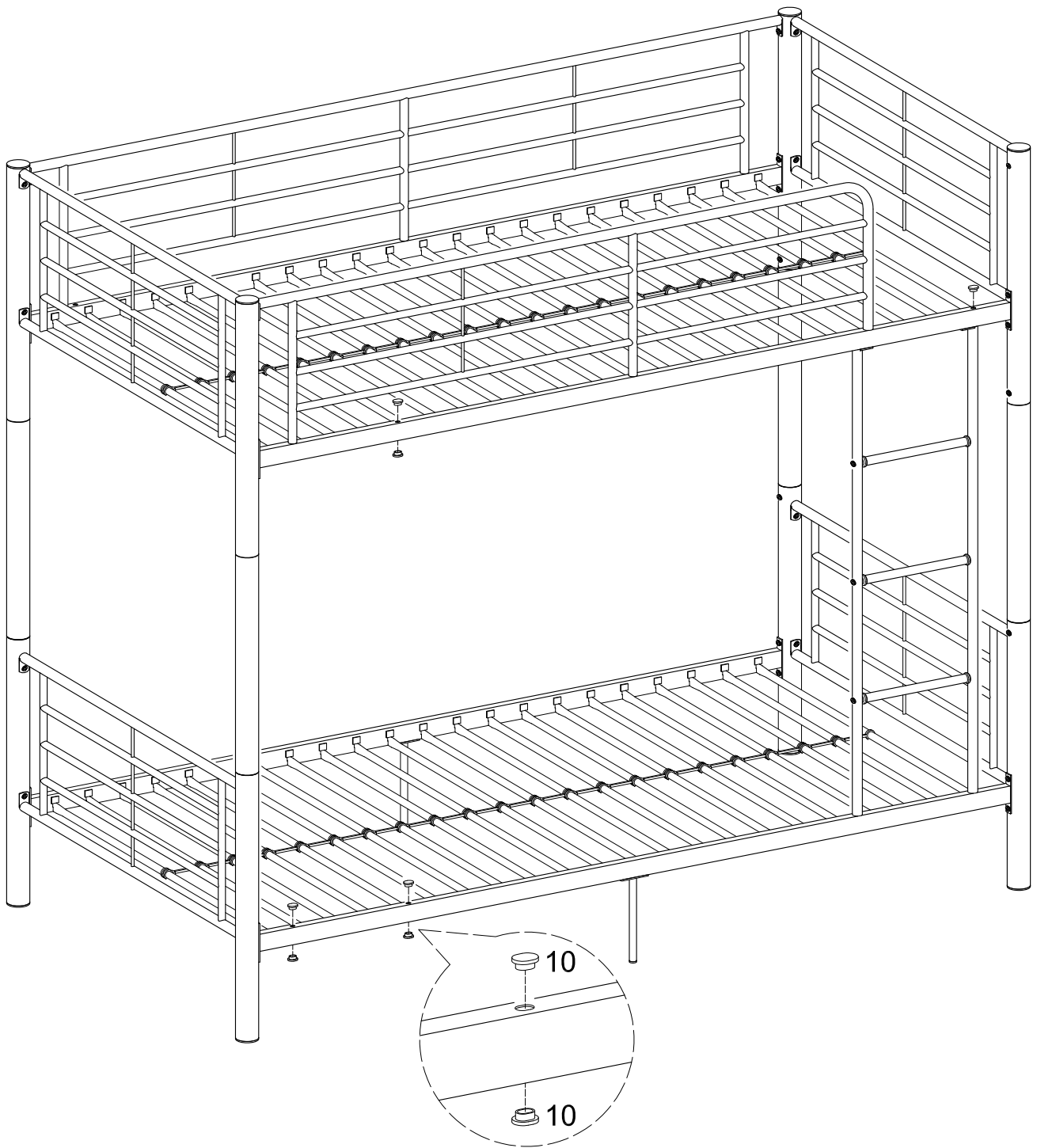
Note the ladder and open guardrail on the right side.

Step 12B



Attach back upper guardrail (J) to the back frame support beams using screws (1) and washers (2) as shown in the illustration. Attach guardrail to cross bar (F) using screws (4) and washers (3), tighten with wrench (12). Be sure to tighten all screws firmly.

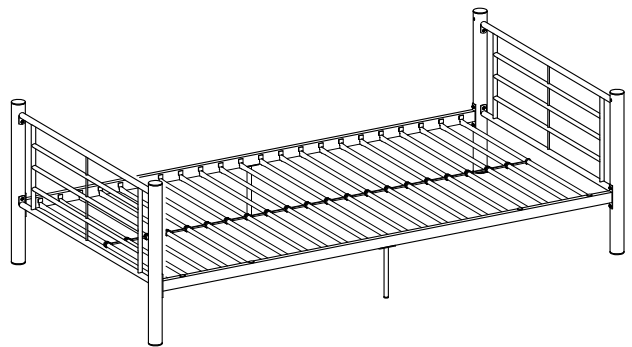
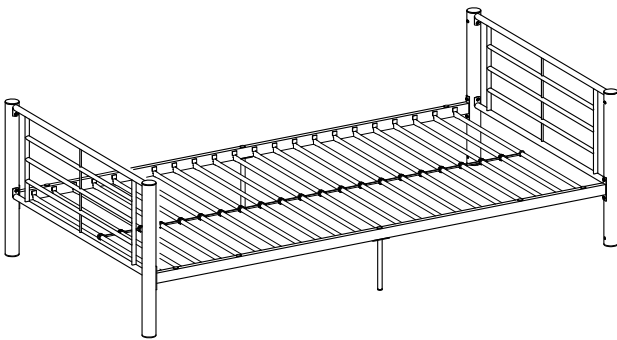
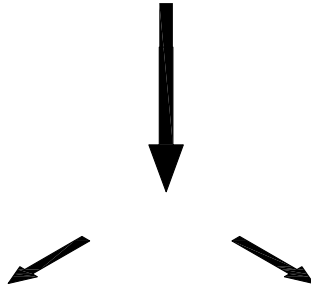
Step 13B



Place plastic plugs (10) into the holes in the front cross bars as shown in the illustration.
Snap plastic links (9) into the middle of the mattress support bars as shown in the illustration.

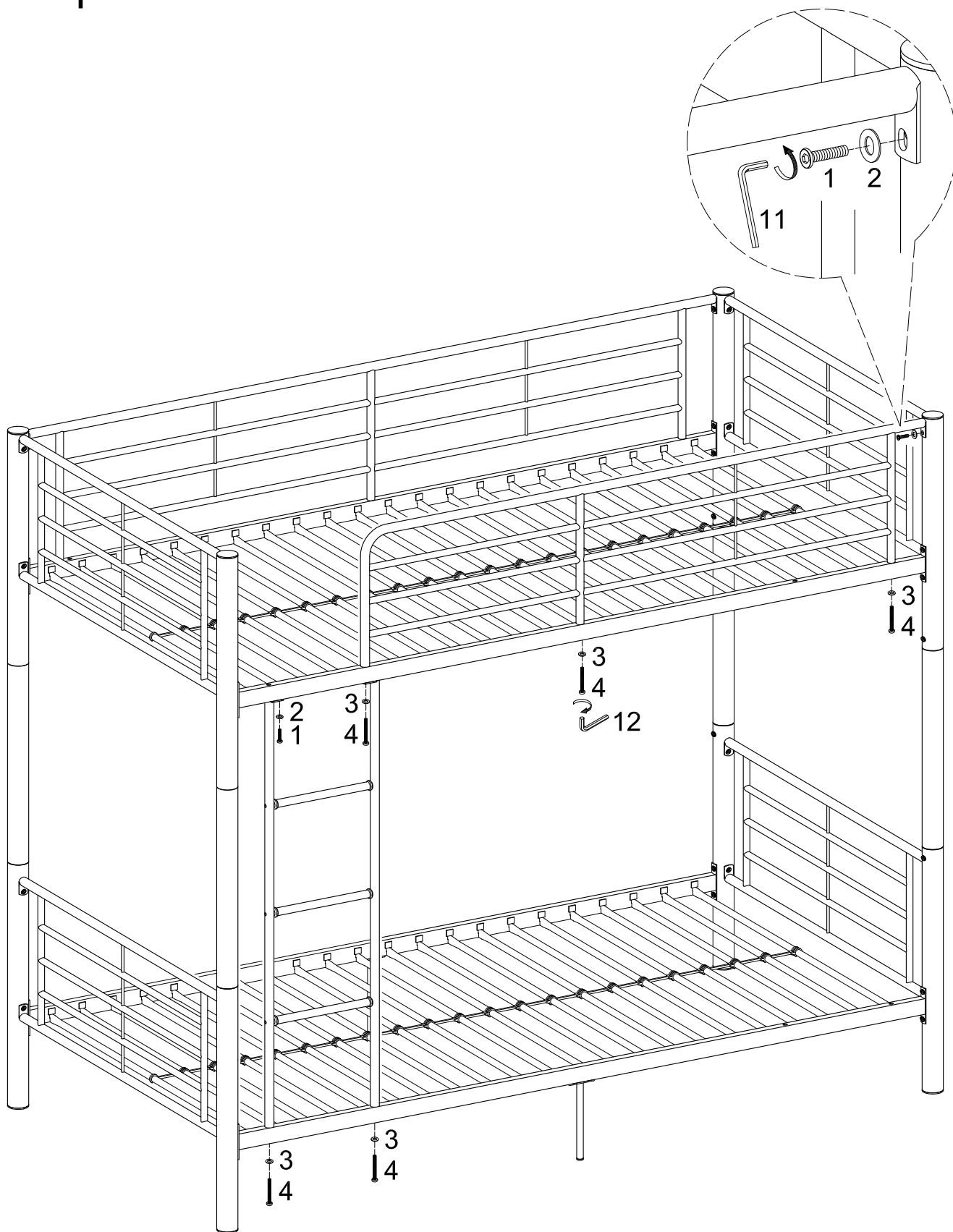
OPTION B Final

Step 14



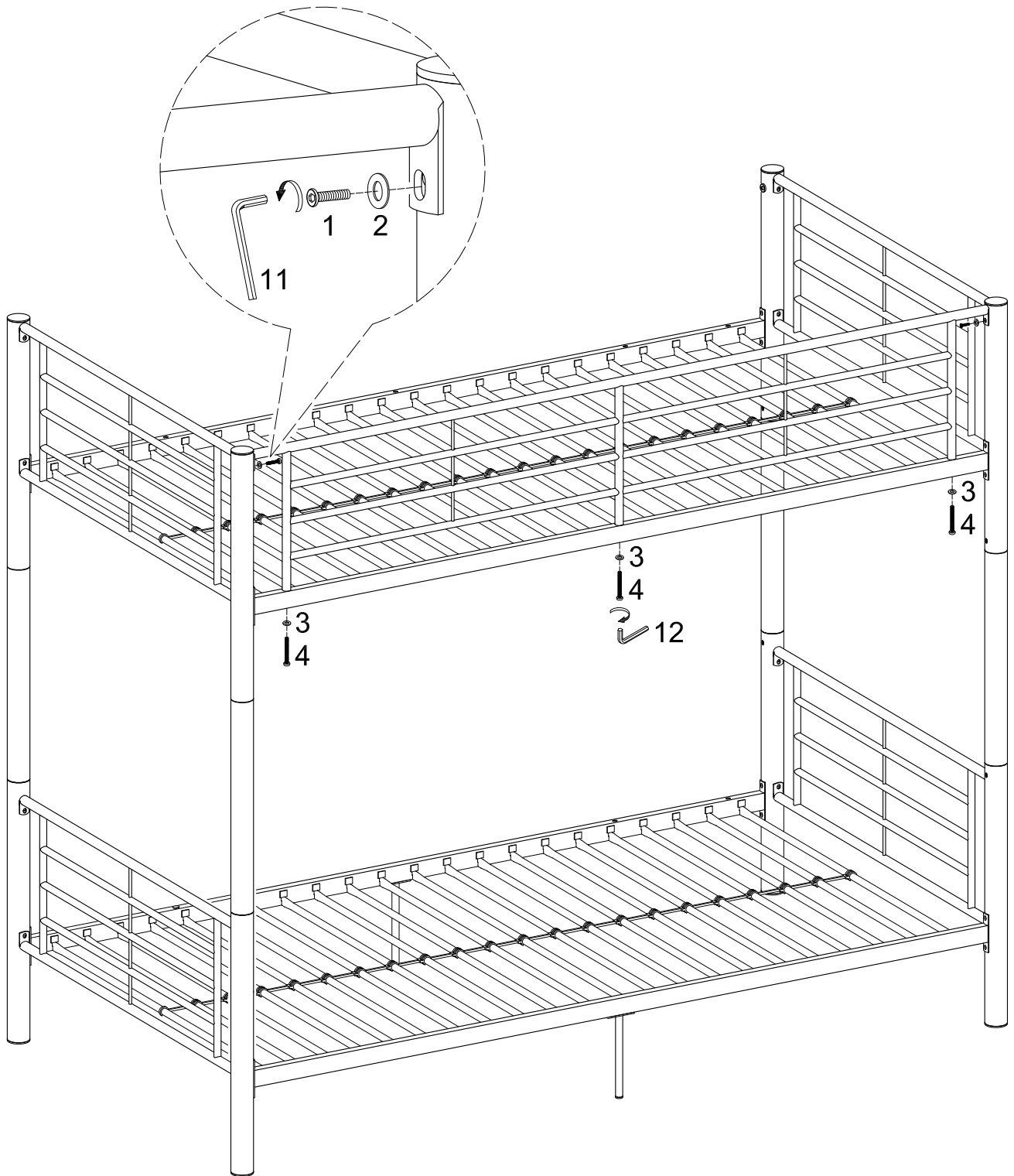
OPTION C

Step 15



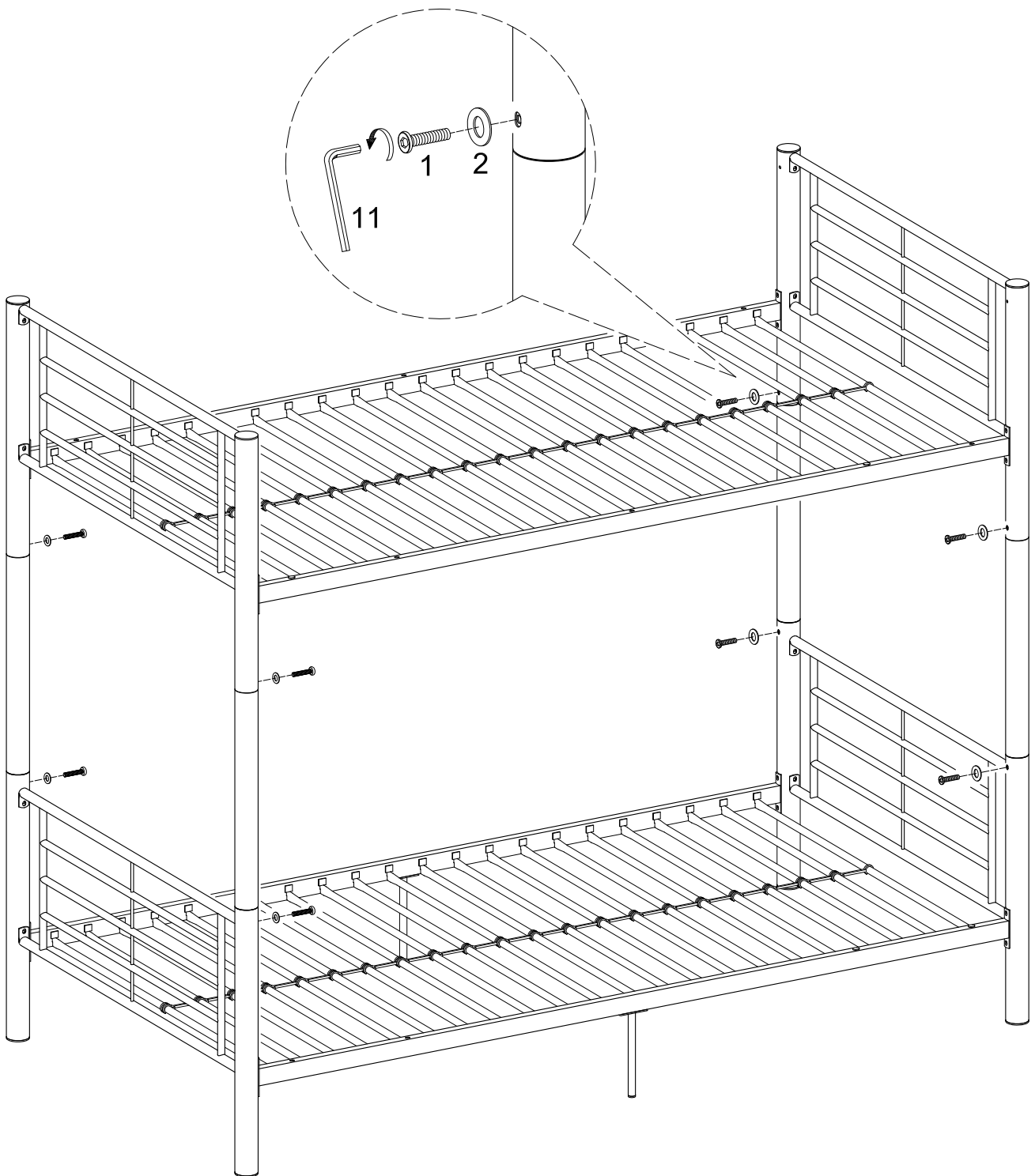
Loosen and remove the ladder and the open guardrail (K) from the bed frame.

Step 16



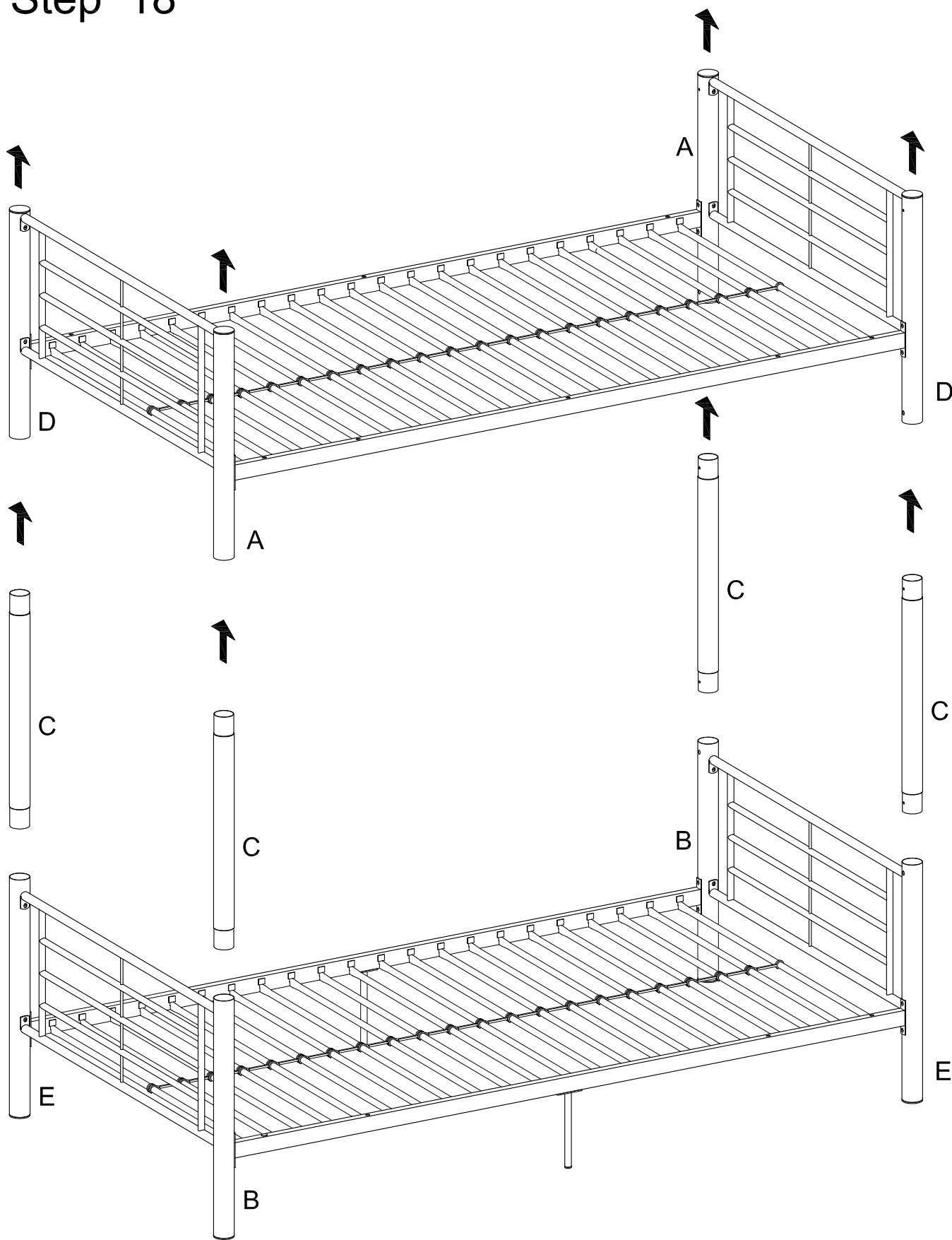
Loosen and remove the back upper guardrail (J) from the bed frame.

Step 17



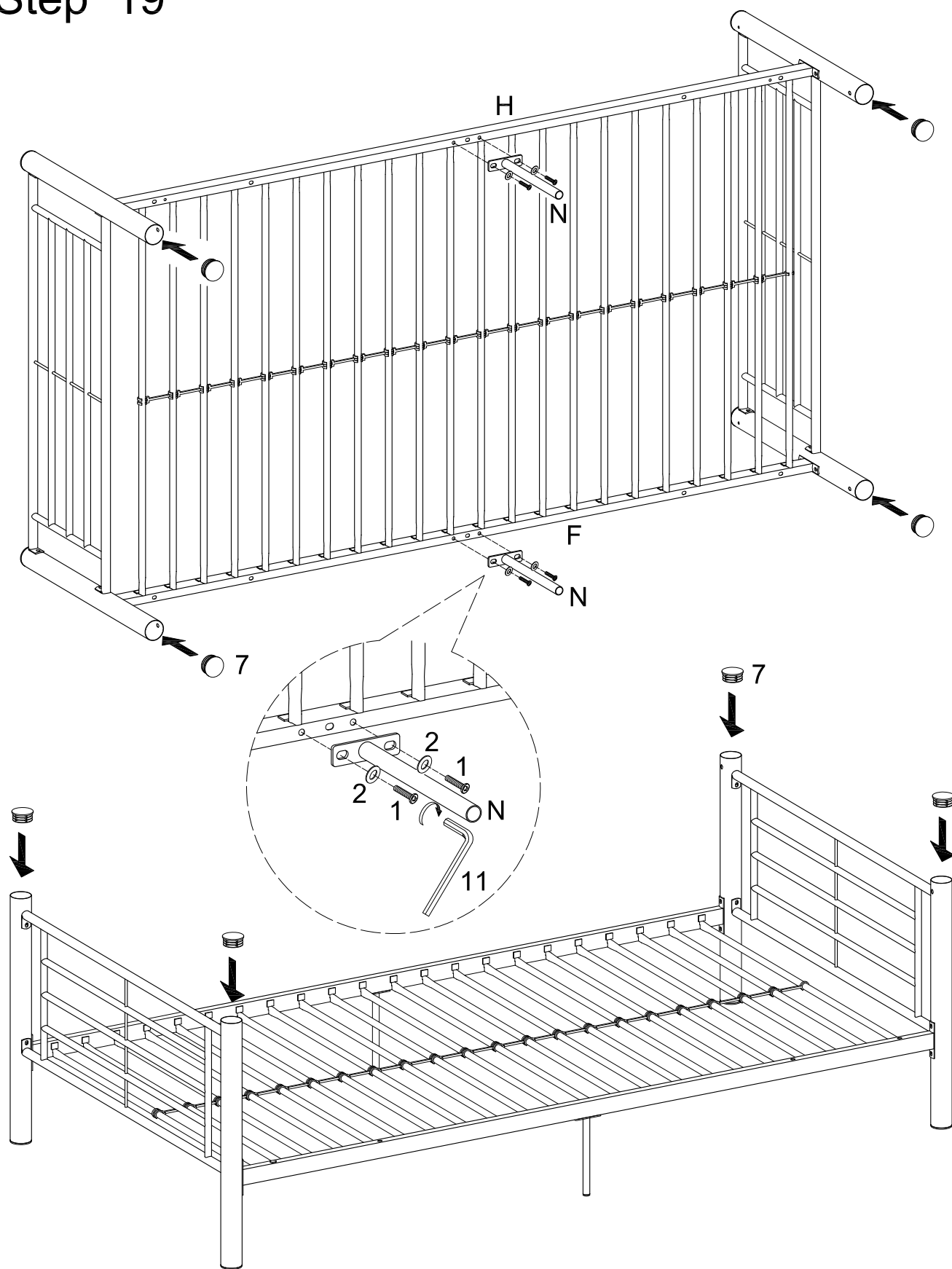
Loosen bolts where upper bunk connects with lower bunk .

Step 18



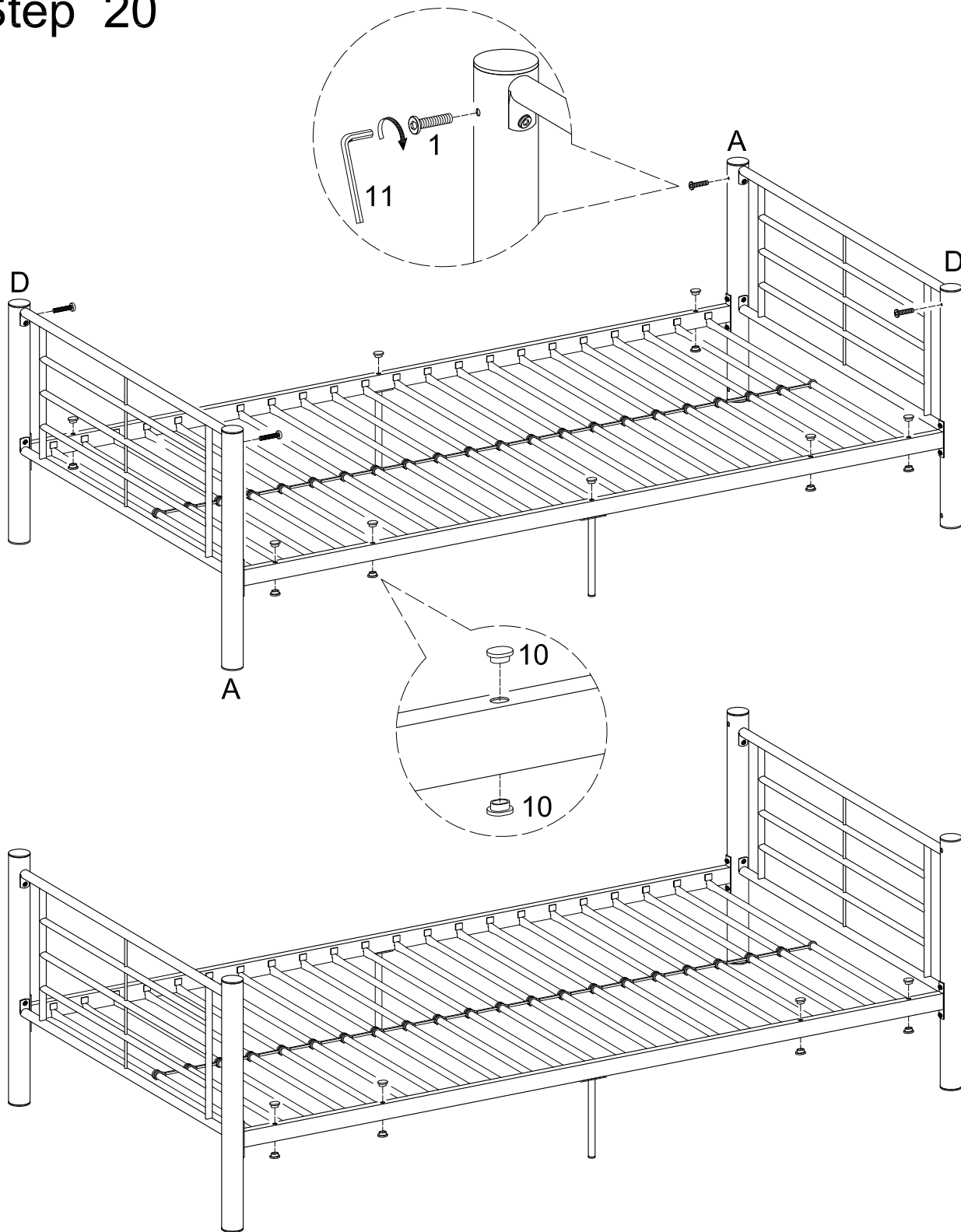
Lift and separate the bunks.

Step 19



Attach legs (N) to the lower cross bars (H, F) using screws (1) and washers (2) as shown in the illustration. Tighten screws using hex wrench (11). Attach plastic end caps (7) as shown in the illustration.

Step 20



Place plastic plugs (10) into the holes in the front cross bars as shown in the illustration. Insert screws (1) to support (A, D) using wrench (11).

OPTION C Final