

# **Karran<sup>®</sup>**

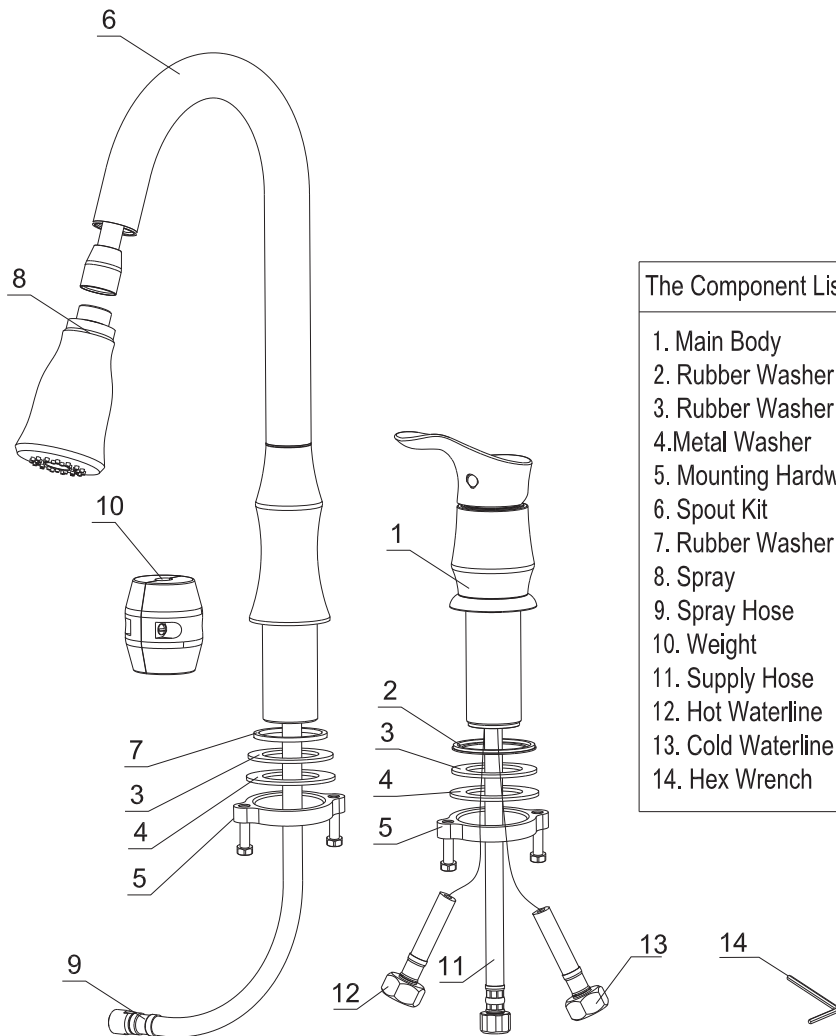
## INSTALLATION GUIDE



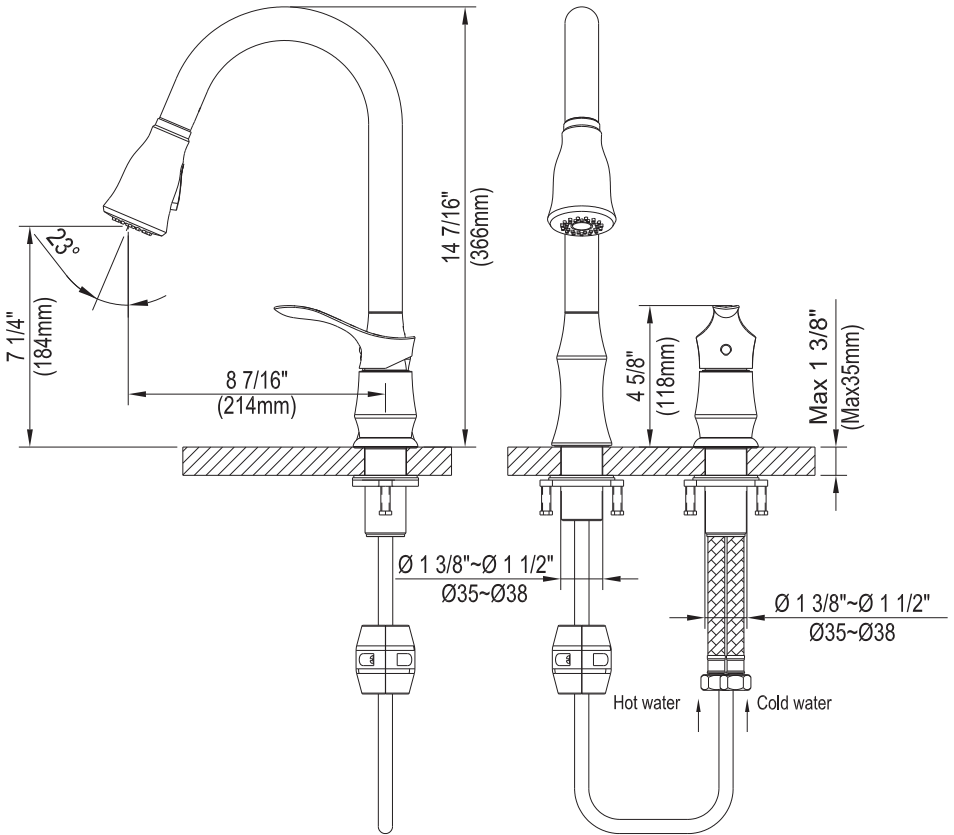
## **Hillwood**

**Models: KKF260C**

**KKF260SS**



The Component List	Qty.
1. Main Body	1
2. Rubber Washer 1	1
3. Rubber Washer 2	2
4. Metal Washer	2
5. Mounting Hardware	2
6. Spout Kit	1
7. Rubber Washer 3	1
8. Spray	1
9. Spray Hose	1
10. Weight	1
11. Supply Hose	1
12. Hot Waterline	1
13. Cold Waterline	1
14. Hex Wrench	1



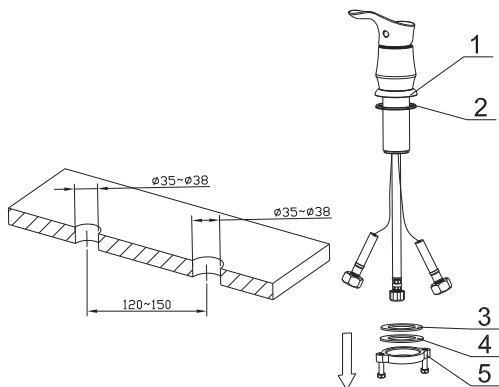
# INSTALLATION GUIDE

---

## STEP 1

---

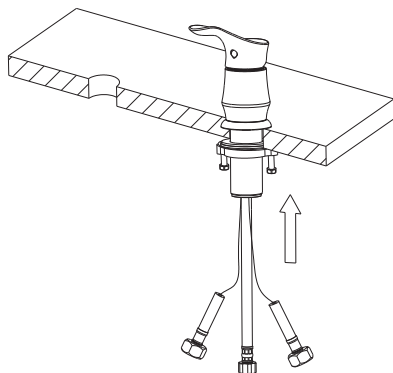
1. Remove main body (1), mounting hardware(5), metal washer(4) and rubber washer(2)(3).



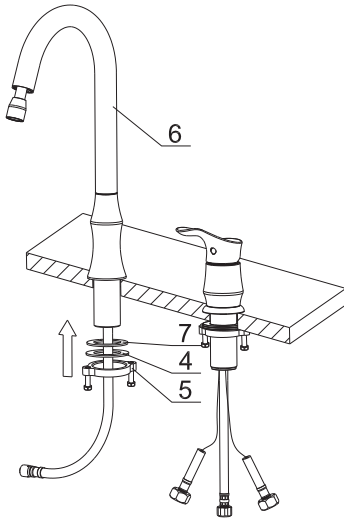
## STEP 2

---

2. Insert main body(1) into the hole, refix rubber(2)(3), metal washer(4) and mounting hardware(5). After adjusting the direction of main body, tighten the mounting hardware (5) with hands and tighten screws with a Philips screwdriver.

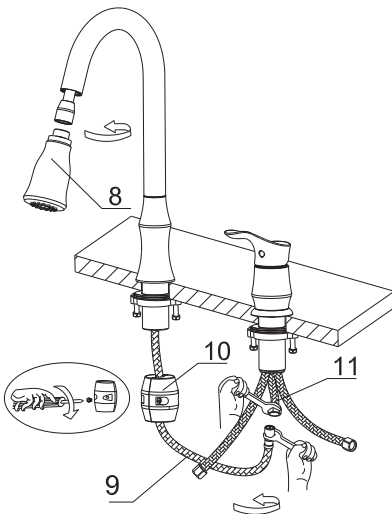


## STEP 3



3. Remove mounting hardware(5), metal washer(4) and rubber washer(7) from spout kit(6). Insert the spout kit into hole, refix rubber washer(7), metal washer(4) and mounting hardware(5). After adjusting the direction of spout kit, tighten the mounting hardware (5) with hands and tighten screws with a Philips screwdriver.

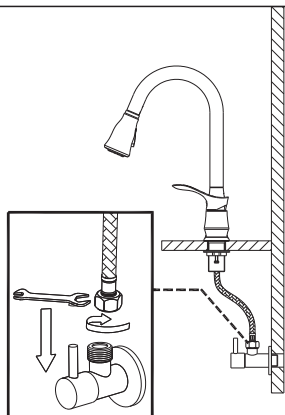
## STEP 4



4. Connect spray hose(9) with supply hose(11) and install spray head(8). Attach weight(10) to proper position of spray hose.

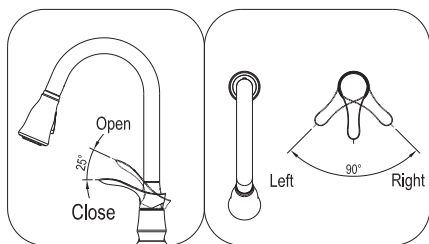
# INSTALLATION GUIDE

## STEP 5



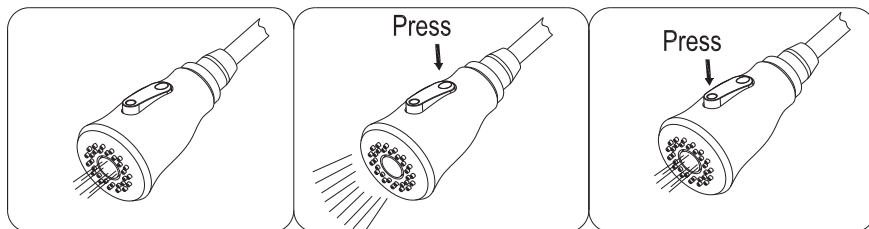
5. Connect the waterlines with outlet tightly.  
Turn on the outlet and check for leaks.

## How to operate the handle:



- 1) Open the handle lever to turn water on.  
Push to turn off.
- 2) Turn the handle lever to the left to increase hot water flow with higher water temperature, while lower the water temperature by operating reversely.

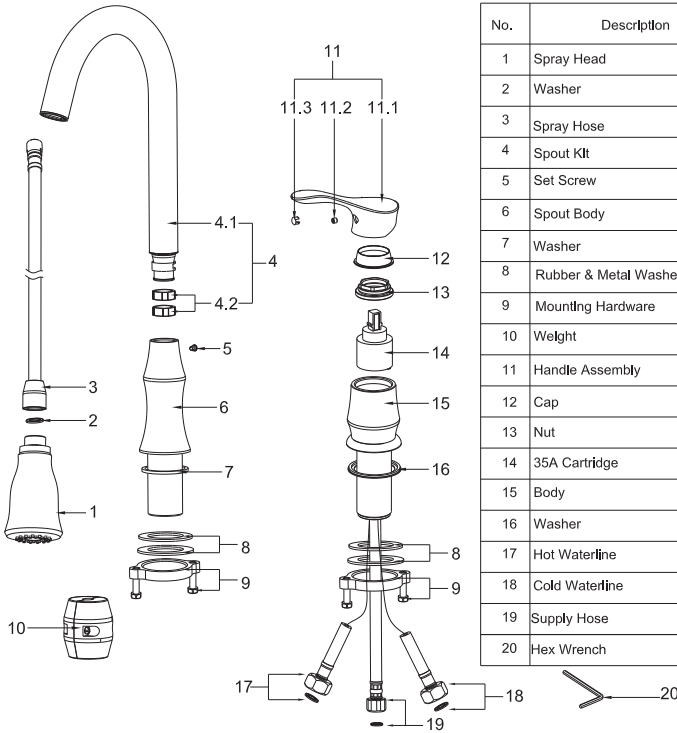
## Spray



The Operation of the spray diverter:

- 1) When first turned on, water comes from aerator.
- 2) Press the bottom back, water sprays from nozzles.
- 3) Press the bottom front, water comes from aerator.
- 4) Diverter button automatically returns to normal position once handle closed.

# REPLACEMENT PARTS



No.	Description	Finishes/Colors	Item No.
1	Spray Head	C, SS	500301843**
2	Washer		70020038930
3	Spray Hose	C, SS	500401611**
4	Spout Kit	C, SS	300300379**
5	Set Screw		50060007700
6	Spout Body	C, SS	500101637**
7	Washer		70020005830
8	Rubber & Metal Washer		70020037354
9	Mounting Hardware		40060185018
10	Weight		50020066700
11	Handle Assembly	C, SS	200100343**
12	Cap	C, SS	500100720**
13	Nut		40060075252
14	35A Cartridge		20060003200
15	Body	C, SS	100300517**
16	Washer		70030046730
17	Hot Waterline		50042073521
18	Cold Waterline		50042073526
19	Supply Hose		50040093100
20	Hex Wrench		50060003700

\*\* Denotes faucet component color options:

C - Chrome

SS - Spot Free Stainless Steel