


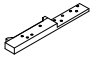


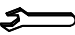



Thank you for purchasing this quality product. Be sure to unpack carefully looking for small parts which may have come loose during shipment.
Read all instruction and study the drawing carefully before starting the assembly process.

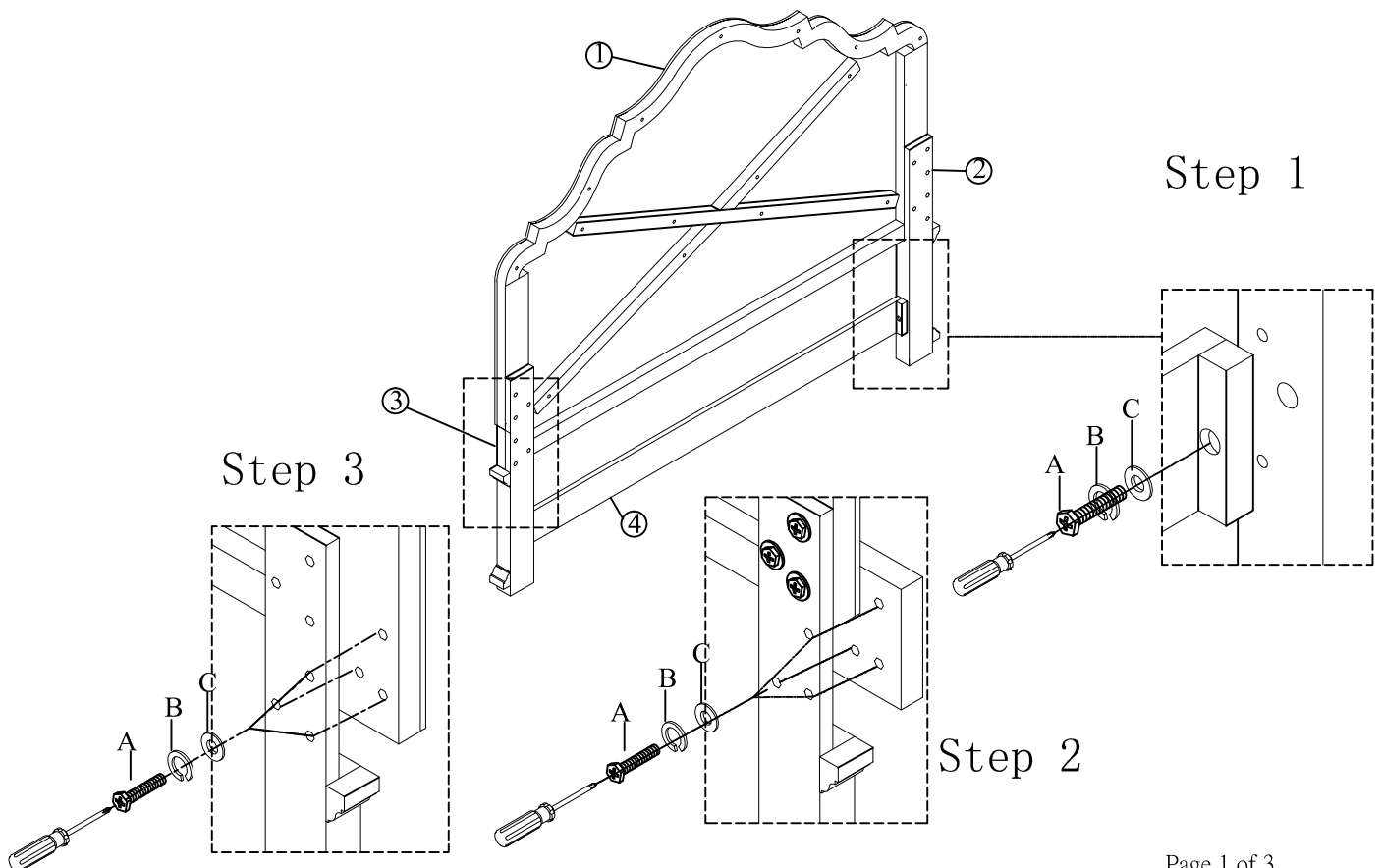
| HARDWARE LIST | | | | | PARTS LIST | | | |
|---------------|---|----------------|---------------|-------|------------|--|----------------------------------|-------|
| NO | DRAWING | DESCRIPTION | SIZE | Q' TY | NO | DRAWING | DESCRIPTION | Q' TY |
| A |  | Hexagonal Bolt | ϕ5/16"*1 3/4" | 14PCS | 1 |  | Panel Headboard | 1PC |
| B |  | Spring Washer | ϕ5/16" | 14PCS | 2 |  | Headboard Leg (Left & Right) | 2PCS |
| C |  | Flat Washer | ϕ5/16" | 14PCS | 3 |  | KD Leg (Left & Right) | 2PCS |
| D |  | Open Wrench | 12*90mm | 1PC | 4 |  | Stretcher | 1PC |

STEP 1 : Attach stretcher (4) to Headboard leg (2) using Hexagonal Bolt (A) Spring washer (B), Flat Washer (C) and tighten them by using a Phillips head screwdriver.

STEP 2 : Attach K D leg (3) to Headboard leg (2) and Panel Headboard (1) using Hexagonal Bolt (A) Spring washer (B), Flat Washer (C) and tighten them by using a Phillips head screwdriver.

STEP 3 : K D leg(3) can be removed.

Attach Panel Headboard (1) using Hexagonal Bolt (A) Spring washer (B), Flat Washer (C) and tighten them by using a Phillips head screwdriver.






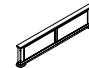
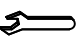


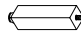


ASSEMBLY INSTRUCTION

ITEM: 5930-90351-WH PANEL HEADBOARD 5/0
 5930-90352-WH PANEL FOOTBOARD 5/0
 5930-90353-WH SIDE RAIL 5/0-6/6 RAILS

Thank you for purchasing this quality product. Be sure to unpack carefully looking for small parts which may have come loose during shipment.

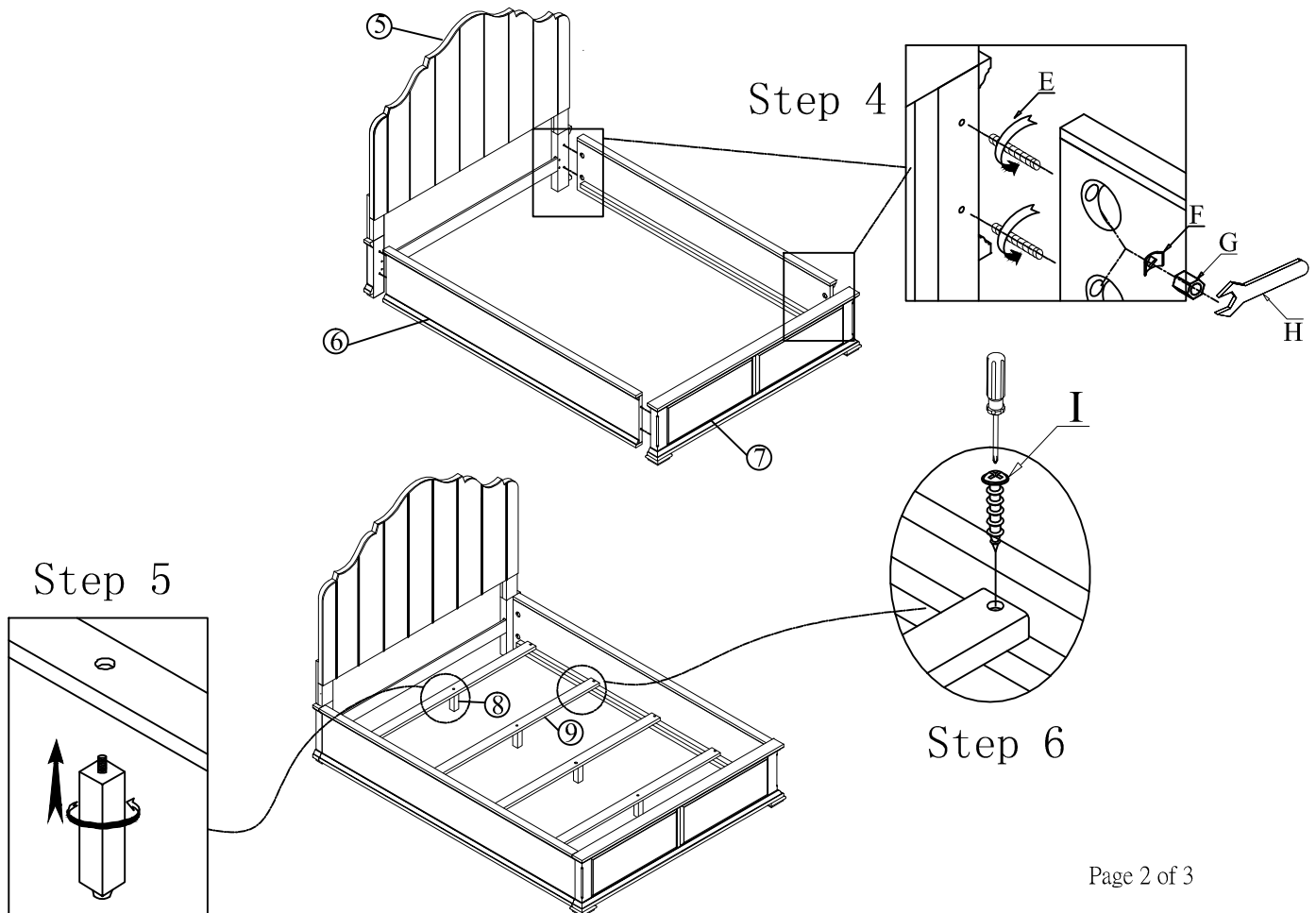
Read all instruction and study the drawing carefully before starting the assembly process.

| HARDWARE LIST | | | | | PARTS LIST | | | |
|---------------|---|---------------|---------------|-------|------------|--|----------------------|-------|
| NO | DRAWING | DESCRIPTION | SIZE | Q' TY | NO | DRAWING | DESCRIPTION | Q' TY |
| E |  | Threaded rod | ϕ5/16"*3-1/2" | 8PCS | 5 |  | Panel Headboard | 1PC |
| F |  | Curved Washer | ϕ5/16" | 8PCS | 6 |  | Rails | 2PCS |
| G |  | Nut | ϕ5/16" | 8PCS | 7 |  | Panel Footboard | 1PC |
| H |  | Open Wrench | 12*90mm | 1PC | 8 |  | Slats | 4PCS |
| I |  | Screw | 8*30 | 8PCS | 9 |  | Support leg for slat | 4PCS |

STEP 4 : Attach Rails (6) to panel Headboard (5) Panel Footboard (7) using Threaded rod (E) Curved Washer (F), Nut (G) and tighten them by open Wrench (H).

STEP 5 : Attach support leg (9) to slats (8)

STEP 6 : Attach the slats to the rails and tighten them by using a Phillips head screwdriver.



ASSEMBLY INSTRUCTION










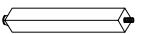
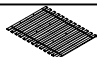
ITEM: 5930-90351-WH PANEL HEADBOARD 5/0

5930-90354-WH STORAGE FOOTBOARD 5/0

5930-90353-WH SIDE RAIL 5/0-6/6 RAILS

Thank you for purchasing this quality product. Be sure to unpack carefully looking for small parts which may have come loose during shipment.

Read all instruction and study the drawing carefully before starting the assembly process.

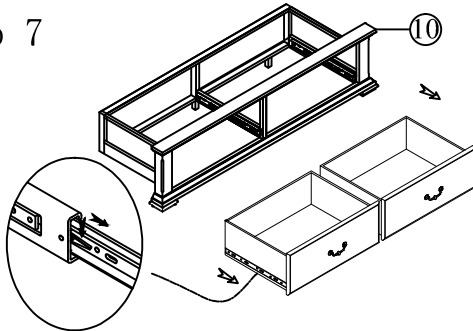
| HARDWARE LIST | | | | | PARTS LIST | | | |
|---------------|---|---------------|---------------|-------|------------|---|----------------------------------|-------|
| NO | DRAWING | DESCRIPTION | SIZE | Q' TY | NO | DRAWING | DESCRIPTION | Q' TY |
| E |  | Threaded rod | φ5/16"*3-1/2" | 8PCS | 5 |  | Panel Headboard | 1PC |
| F |  | Curved Washer | φ5/16" | 8PCS | 6 |  | Rails | 2PCS |
| G |  | Nut | φ5/16" | 8PCS | 10 |  | Storage Footboard | 1PC |
| H |  | Open Wrench | 12mm | 1PC | 11 |  | Center Slats | 2PCS |
| I |  | Screw | 8*30 | 26PCS | 12 |  | Long support leg for center slat | 6PCS |
| | | | | | 13 |  | Roll Slats | 1PC |

STEP 7 : Pull Drawers out from Storage Footboard (10)

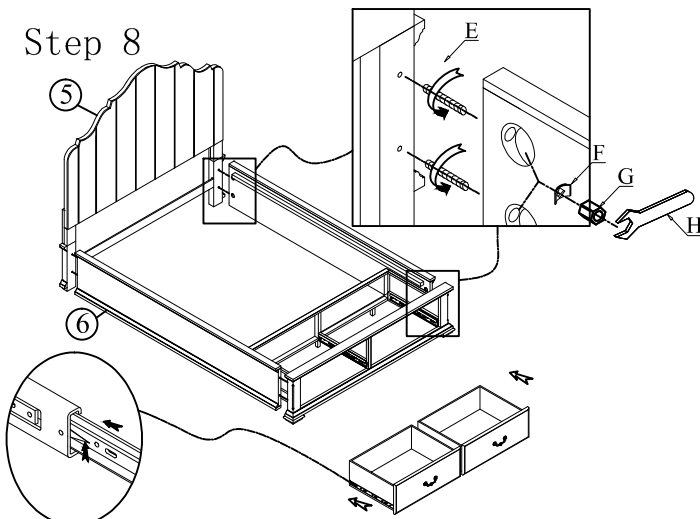
STEP 8 : Attach Rails (7) to panel Headboard (5) using Threaded rod (E) Curved Washer (F), Nut (G) and tighten them by open Wrench (H). then push the Drawers into Storage Footboard (10)

STEP 9 : Attach Long support leg (9) to center slats (8) and attach roll slats to the rails tighten them by using a Phillips head screwdriver.

Step 7



Step 8



Step 9

