

KWU120-45

45 Inch Undermount Workstation Single Bowl Stainless Steel Kitchen Sink

Kräus[®]

SPECIFICATION SHEET

Sink Dimensions

Overall Dimensions: 45" x 19"

Bowl Dimensions: 43" x 16"

Sink Depth: 10"

Features

- 16 Gauge Stainless Steel Construction
- Single Bowl Undermount Sink
- Required Minimum Cabinet Size: 48" Left to Right, 24" Front to Back
- Rear Off-Set Drain
- 3 1/2" Drain Opening
- NoiseDefend Undercoating and Sound Dampening Pads

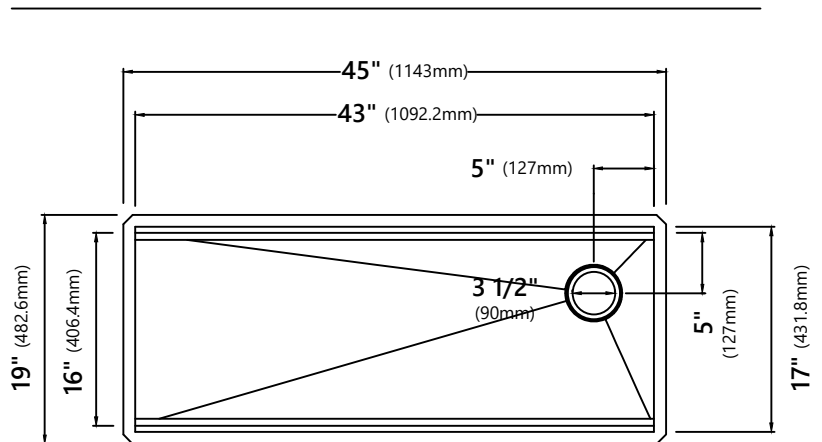
Accessories Included

- Strainer ST-1
- Cover Cap STC-2
- Bottom Grid KBG-UN1-23
- Bottom Grid KBG-WSU1-45
- Rolling Mat KRM-11BL
- Cutting Board KCB-WS104BB
- Cutting Board, Colander and Bowl Set KAC-1005BB
- Dish Rack: KDR-1
- Cut-Out Template
- Mounting Hardware

CODES/STANDARDS:

Product Certification

cUPC (ASME A112.19.3/CSA B45.4)



NOTE: It is not recommended to install this sink with a negative reveal. Doing so will prohibit the use of any workstation accessories as they will not fit.

Warranty

Kraus Limited Lifetime Warranty

see website for details www.kraususa.com

Kraus USA Customer Service

1.800.775.0703 | customerservice@kraususa.com

REV. January 26, 2021

ST-1

Stainless Steel Kitchen Sink Strainer

Strainer Dimensions

Overall Dimensions: $\phi 4 \frac{1}{2}$ " x $3 \frac{3}{4}$ "

Features

- Premium Stainless Steel construction
- Fits Standard $3 \frac{1}{2}$ " or 4" Drain Opening
- Open/Close Stopper Prevents Debris from Clogging Drain Pipe

Available Finishes

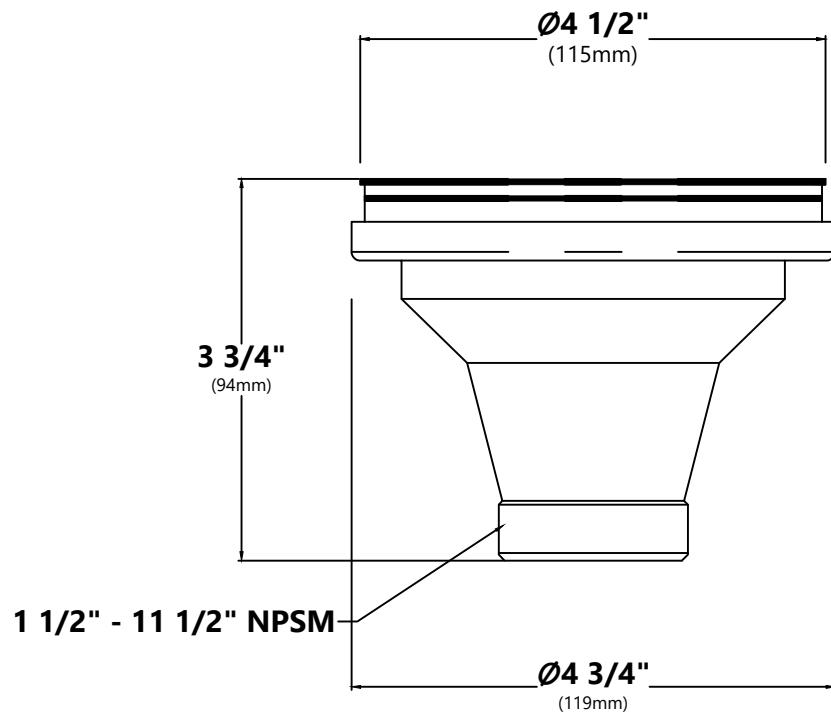
- Stainless Steel



Warranty

Kraus 1 Year Limited Warranty

see website for details www.kraususa.com



STC-2 Removable Decorative Drain Cover

Drain Cap Dimensions

Overall Dimensions: $\varnothing 4 \frac{1}{2}''$ x $\frac{5}{8}''$

Features

- Premium Stainless Steel Construction
- Fits Standard $3 \frac{1}{2}''$ Drain Opening
- Allows Water to Drain Easily When Installed
- Conceals Garbage Disposal and Waste Fittings for a Seamless Look
- Compatible with Standart Pro™, Pax™, Kore™, Outlast Microshield™ and Premier™ Kitchen sinks

Available Finishes

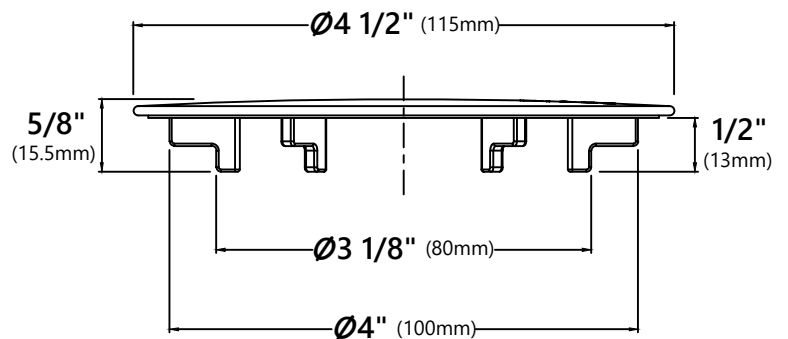
- Stainless Steel
- PVD Gunmetal



Warranty

Kraus 1 Year Limited Warranty

see website for details www.kraususa.com



KBG-WSU1-45

Stainless Steel Kitchen Sink Bottom Grid

Grid Dimensions

Overall Dimensions: 21 7/8" x 15 5/8" x 7/8"

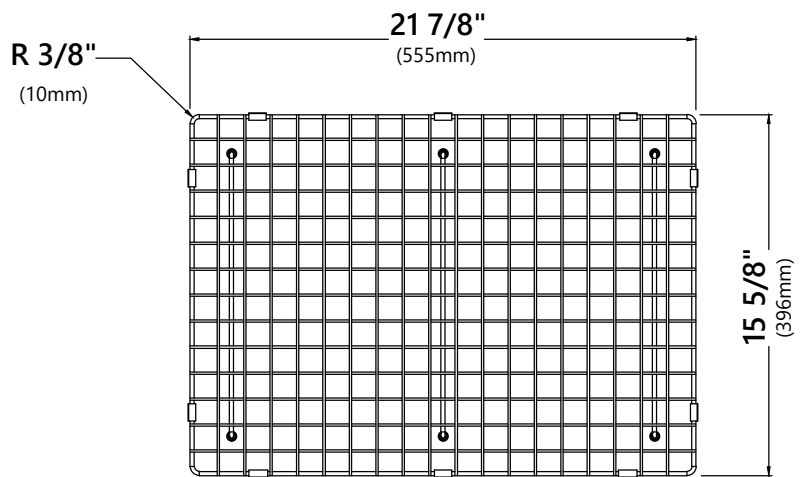
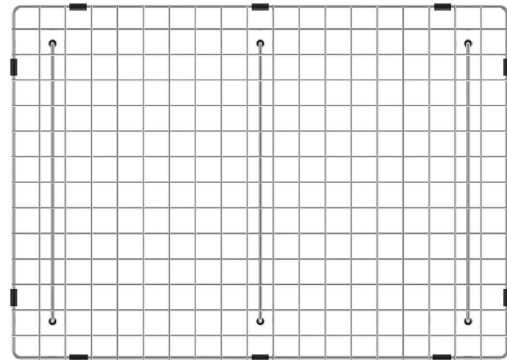
Features

- Commercial grade stainless steel construction
- For Use with the KWU120-45 kitchen sink
- Protects bottom of sink from daily wear and tear
- Rubber feet provide additional protection

Warranty

Kraus One Year Limited Warranty

see website for details www.kraususa.com



KBG-UN1-23

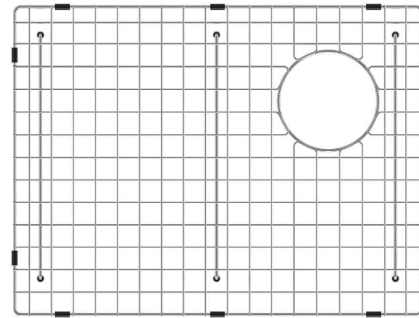
Stainless Steel Kitchen Sink Bottom Grid

Grid Dimensions

Overall Dimensions: 20 5/8" x 15 5/8" x 7/8"

Features

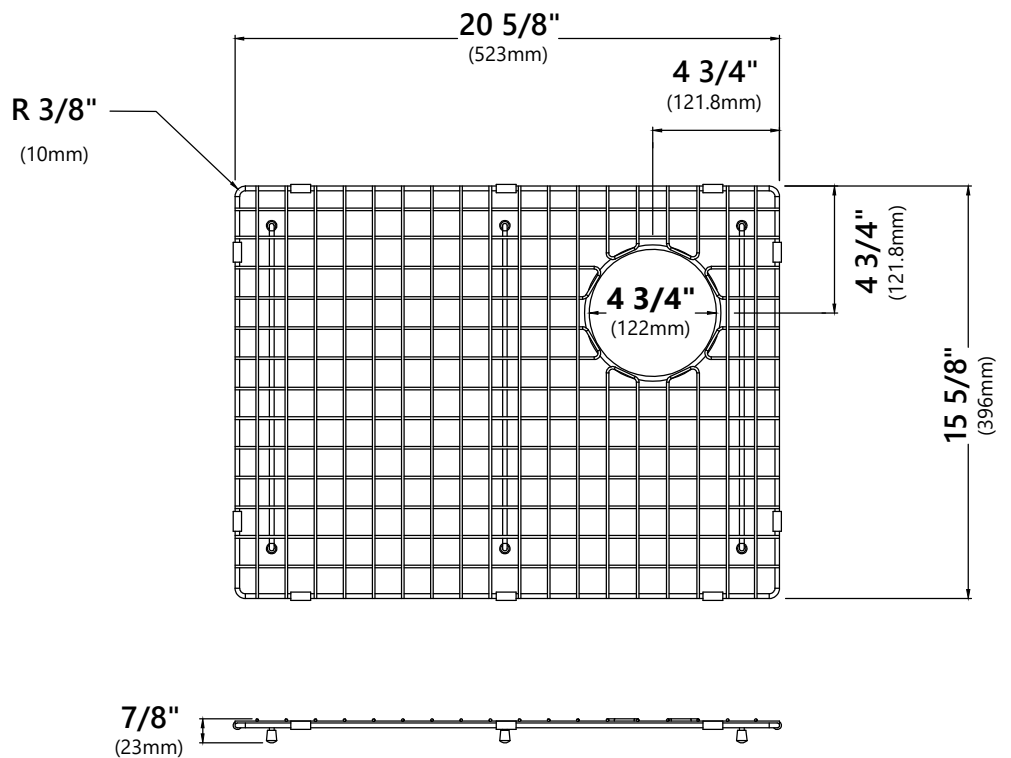
- Commercial grade stainless steel construction
- For Use with the KWU111-23 and KWU120-45 kitchen sinks
- Protects bottom of sink from daily wear and tear
- Rubber feet provide additional protection



Warranty

Kraus One Year Limited Warranty

see website for details www.kraususa.com



KCB-WS104

Cutting Board

Cutting Board Dimensions

Overall Dimensions: 16 3/4" x 15 3/4" x 3/4"

Features

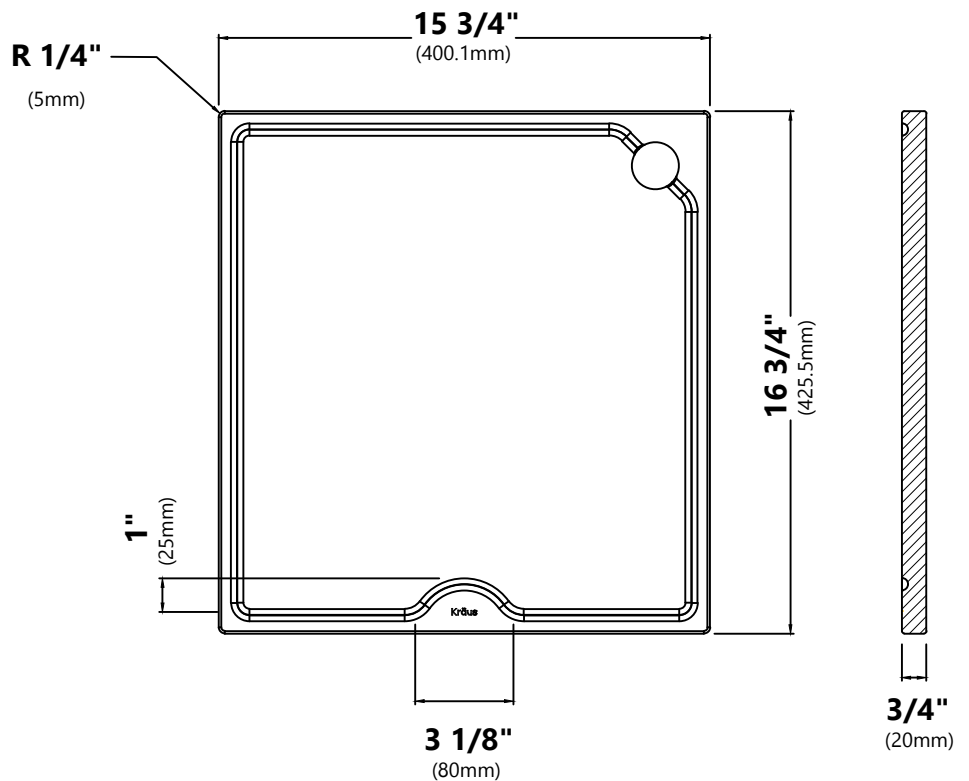
- Designed to Use Over the Sink and On the Counter
- Outer Groove Traps Liquids to Prevent Messy Counter
- BPA-free and FDA-approved
- Included with KWU120-45 kitchen sink

NOTE: Each piece may feature unique color variations

Warranty

Kraus One Year Limited Warranty

see website for details www.kraususa.com



KAB-105

Accessories Board

Accessories Board Dimensions

Overall Dimensions: 15 3/4" x 16 3/4" x 3/4"

Features

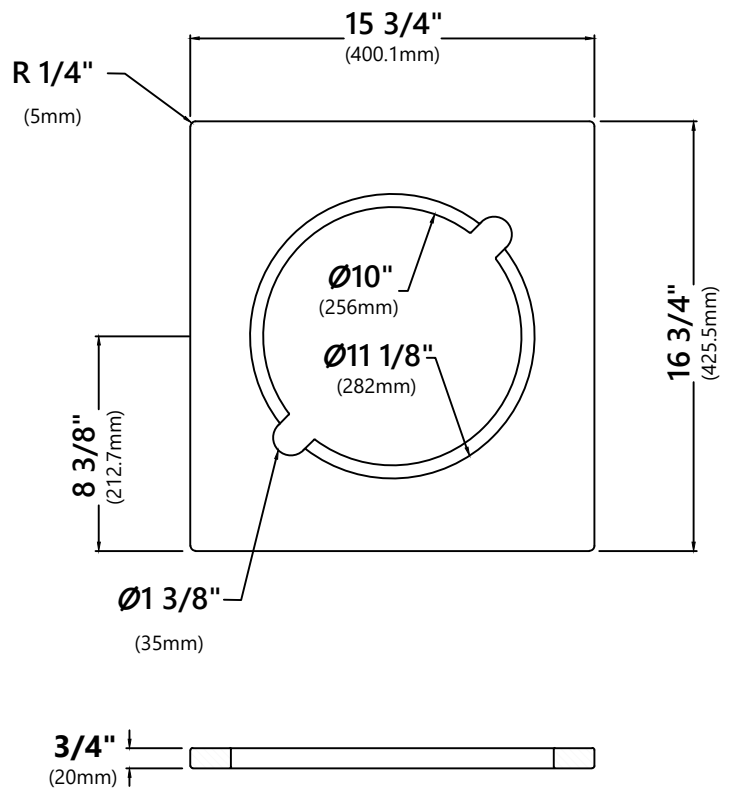
- BPA-free and FDA-approved
- Included with KWU120-36 and KWU120-45 kitchen sinks
- For use with the KBW-2 Bowl and/or the KCL-2 Colander
- Included with the KAC-105, KAC-205 and KAC-1005 Accessories Board Sets

NOTE: Each piece may feature unique color variations

Warranty

Kraus One Year Limited Warranty

see website for details www.kraususa.com



KBW-2

Stainless Steel Bowl

Bowl Dimensions

Overall Dimensions: 11" x 5 1/2"

Features

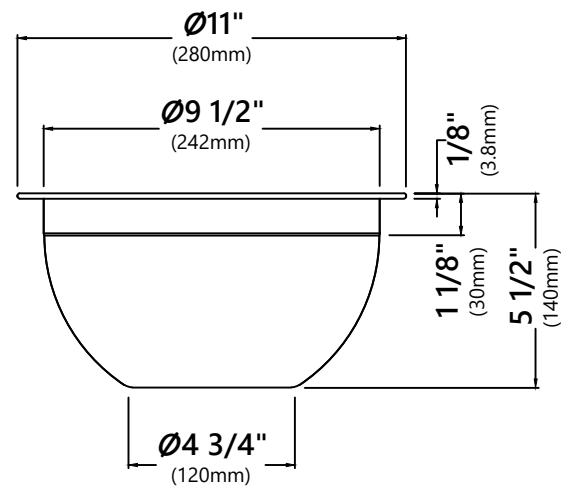
- Durable 304 Stainless Steel Construction
- Satin Polish
- Designed to Use with KAB-103, KAB-104 and KAB-105 Accessories Boards
- Included with the KWU120-45 kitchen sink



Warranty

Kraus 1 Year Limited Warranty

see website for details www.kraususa.com



KCL-2

Stainless Steel Colander

Colander Dimensions

Overall Dimensions: 11" x 4 5/8"

Features

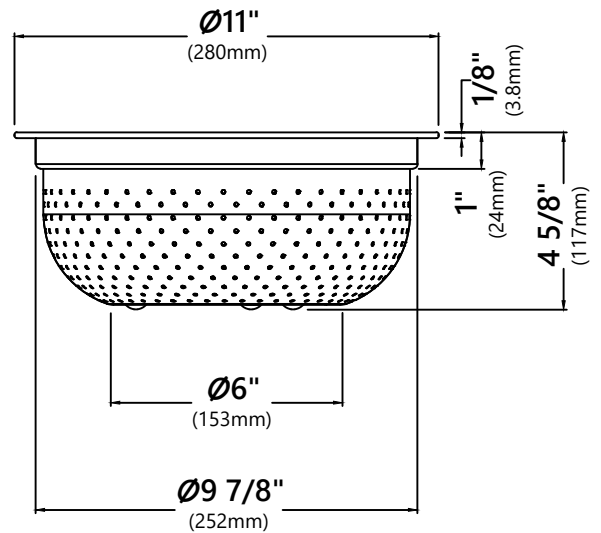
- Durable 304 Stainless Steel Construction
- Satin Polish
- Designed to Use with the KAB-103, KAB-104 and KAB-105 Accessories Boards
- Included with the BAC-100, KAC-103, KAC-104, KAC-105, KAC-1003, KAC-1004 and KAC-1005 Accessories Boards
- Included with KWU120-45 kitchen sink



Warranty

Kraus 1 Year Limited Warranty

see website for details www.kraususa.com



KDR-1

Stainless Steel Dish Rack

Dish Rack Dimensions

Overall Dimensions: 16 3/4" x 9 7/8" x 3 3/4"

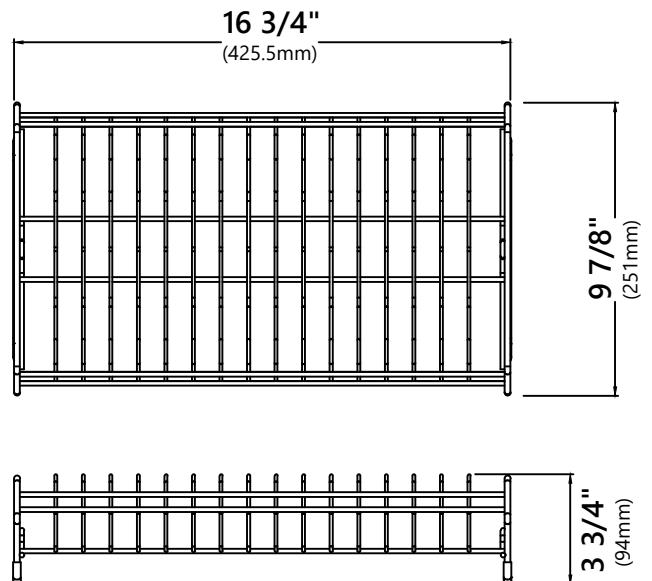
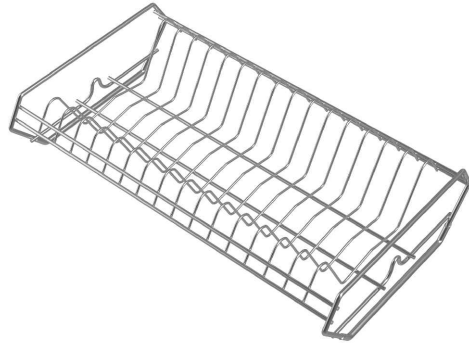
Features

- Durable Stainless Steel Construction
- Designed to Use with All Workstations
- Included with KWU120-45 kitchen sink
- Silicone non slip base coating in gloss black
- Holds 17 dishes

Warranty

Kraus 1 Year Limited Warranty

see website for details www.kraususa.com



KRM-11

Multipurpose Roll-Up Dish Drying Rack

Rolling Mat Dimensions

Overall Dimensions: 16 7/8" x 12" x 3/8"

Features

- Roll-up over-the-sink drying rack
- Stainless steel construction with non-slip silicone coating
- Rolls up into a compact cylinder for storage
- Dishwasher safe
- Heat-safe up to 400° F
- Holds up to 100 lbs
- BPA-free and FDA-approved
- For Use with KFR4-33, KGF1-30, KGF1-33, KGF2-30, KGF2-33, KWF210-30, KWF210-33, KWF210-36, KWF410-30, KWF410-33, KWF410-36, KWT310-30, KWT310-33, KWT311-25, KWU110-27, KWU110-30, KWU110-32, KWU111-17, KWU111-23, KWU112-33, KWU120-45 and KWU210-57 kitchen sinks

Available Colors

- Black
- Brown
- Dark Blue
- Dark Grey
- Light Grey
- Aqua
- Green
- Red
- Yellow

Warranty

Kraus One Year Limited Warranty
see website for details www.kraususa.com

