

For Flush Mount Ceiling Fixtures

**WARNING! SHUT POWER OFF AT FUSE OR CIRCUIT BREAKER .  
AVERTISSEMENT! COUPER LE COURANT AU NIVEAU DES FUSIBLES OU DU DISJONCTEUR.**

**MOUNTING THE FIXTURE (Fig.1)**

1. Shut off the power at the circuit breaker box. Remove the old fixture and all hardware from junction box.
2. Carefully unpack your new fixture and lay out all the parts on a clear area. Take care not to lose any small parts necessary for installation.
3. Attach the mounting plate (A) to the junction box using screws (B). The side of the mounting plate marked "GND" must face out.

**The junction box is not included.**

**CONNECTING THE WIRES (Fig. 2)**

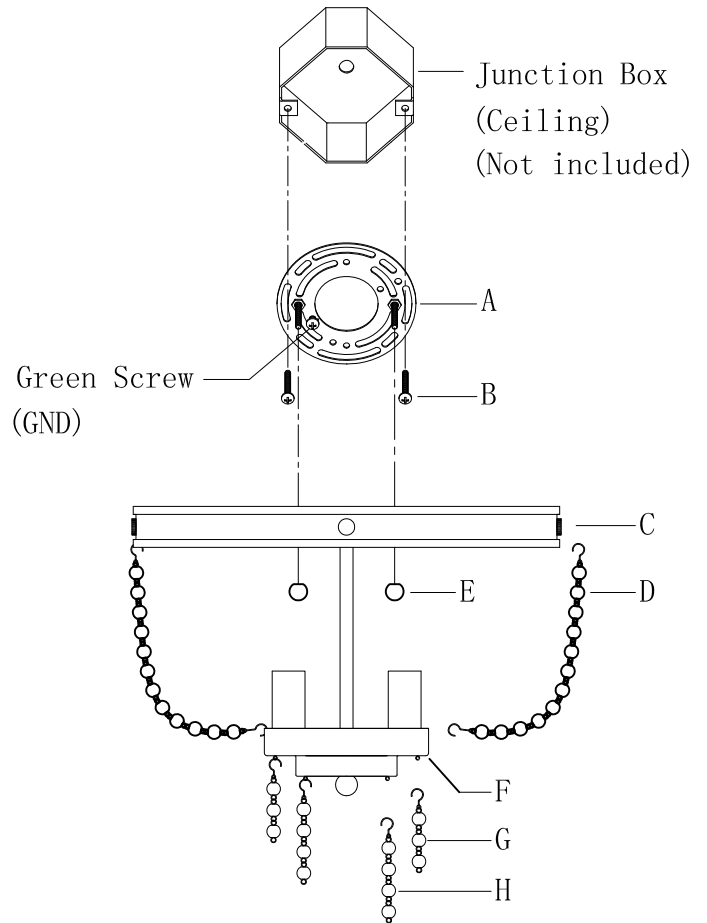
4. Connect the electrical wires as follows (Fig.2). Connect the black wire from the fixture to the black house (hot) wire; connect the white wire from the fixture to the white house (neutral) wire. Make sure all wire nuts are secured. You may wrap the connections with electrical tape. If your outlet box has a ground wire (green or bare copper) connects fixture's ground wire to it. Otherwise attach the bare copper fixture wire to the green ground screw on the crossbar. Tuck the wire connections neatly into the ceiling junction box as you are holding the fixture assembly toward the ceiling.

**COMPLETING THE ISNTALLATION (Fig. 1)**

5. Put the fixture body (C) onto the junction box, aligning screws on mounting plate with mounting holes in canopy and lock it securely with the ball (E).
6. Install the light bulbs (not included) in accordance with the fixture's specifications: **DO NOT EXCEED THE MAXIMUM WATTAGE RATING! (NE PAS DEPASSER LA PUISSANCE NOMINALE MAXIMALE!)**
7. Hook the end of crystals (D) to the bottom hole of the fixture body (C) and the top hole of the lamp body (F).
8. Hang the crystals (H) to the bottom loop of the lamp body (F).
9. Hang the crystals (G) to the middle loop of the lamp body (F).

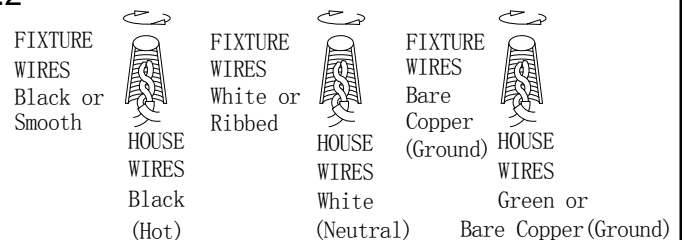
Your installation is now complete. Return power to the junction box and test the fixture.

Fig.1



The figure is only for reference.

Fig.2



MIN 90°C SUPPLY CONDUCTORS

