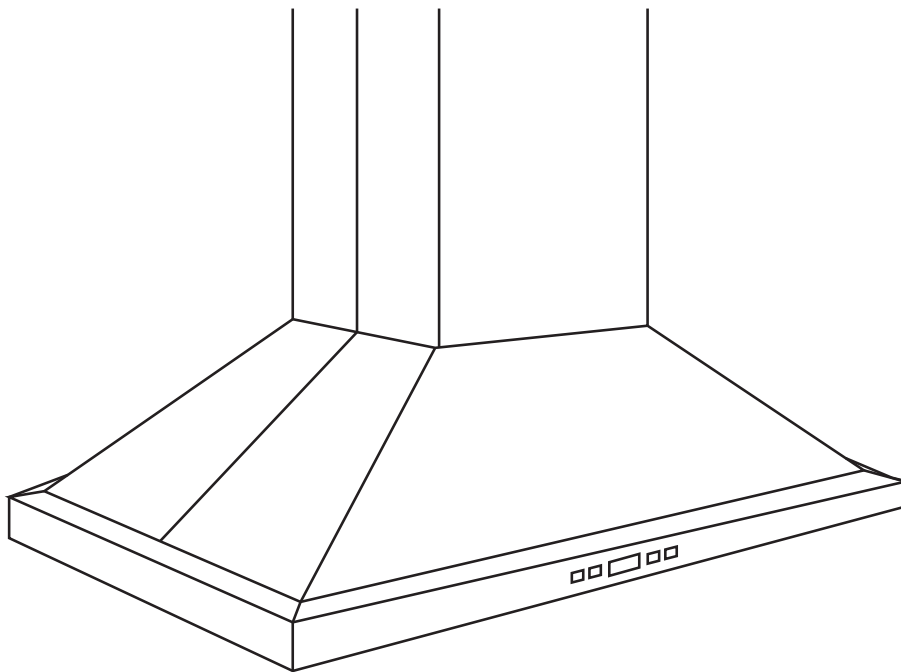


# ISLAND MOUNT RANGE HOOD

## Installation Manual



### **IMPORTANT NOTICE:**

Read and save these instructions.

Installer: Leave this guide with the homeowner.

Homeowner: Keep this guide for future reference.




21805-21806-2020a

# Important Safety Notice


## READ ALL INSTRUCTIONS BEFORE INSTALLING AND OPERATING THIS APPLIANCE


Your safety and the safety of others is very important. We have provided many important safety messages in this manual and on your appliance. Always read and obey all safety messages. All safety messages will tell you what the potential hazard is, tell you how to reduce the chance of injury, and tell you what can happen if the instructions are not followed.


### **WARNING**

This is the safety alert symbol. This symbol alerts you to potential hazards that can hurt you and others. All safety messages will follow the safety alert symbol “” and the word “WARNING”.

**WARNING**  
**Excessive Weight**  
Require three or more persons to move and install this range hood. Spinal or other bodily injuries could occur if it is not followed.

**WARNING**  
**Severe Injury**  
Rotating fan can cause severe injury. Stay clear of fan when power is present.

**WARNING**  
**Hazard of electrical shock!**  
Do not perform service on an electrically live system. Disconnect the main electrical supply before servicing this device. Touching electrical connectors or other exposed electrical circuitry inside this range hood when they are energized could result in death, serious bodily injury, or property damage.



**WARNING**  
**Hazard of Burns!**  
Light bulb become extremely hot when turned on. DO NOT touch bulb until switched off and cooled. Touching hot bulbs could cause serious burns.

*The manufacturer and/or distributor/reseller declines all responsibility in the event of failure to observe the instructions given here for installation, maintenance and suitable use of the product. The manufacturer and/or distributor/reseller further declines all responsibility for injury due to negligence and the warranty of the unit automatically expires due to improper maintenance. The manufacturer and/or distributor/reseller will not be held responsible for any damages to personal property or real estate or any bodily injuries whether caused directly or indirectly by the range hood.*

- The installation in this manual is intended for qualified installers, service technicians or persons with similar qualified background. Installation and electrical wiring must be done by qualified professionals and in accordance with all applicable codes and standards, including fire-rated construction.
- **DO NOT** attempt to install this appliance yourself. Damage or Injury could result from installing the unit due to lack of appropriate electrical and technical background.
- Due to the size and weight of this range hood, at least two people are recommended for installation to reduce the risk of fire, electric shock, or injury to persons.
- Range hood may have very sharp edges; wear protective gloves if it is necessary to remove any parts for installing, cleaning or servicing.
- Ensure any nearby electrical service are OFF and stay OFF until the completion of installation to reduce the risk of electrical shock, short-circuit, electrical spark which may cause injury or damage.
- For general ventilating use only. **DO NOT** use to exhaust hazardous or explosive materials and vapors.
- In order to ensure the safe operation of fuel-burning heating equipment, it's air flow needs to be to be considered for proper combustion. Follow the heating equipment manufacturer's guideline and safety standards such as those published by the National Fire Protection Association (NFPA), and the American Society of Heating, Refrigeration and Air Conditioning Engineers (ASHRAE), and the local code authorities.
- To reduce the risk of fire and to disperse air properly, make sure to vent air outside. Sufficient household air flow is required for the proper combustion of fuel-burning heating equipment, and the exhaustion of their gases.

# Important Safety Notice

---

- Ducted fans **MUST** always be vented to the outdoors.
- **DO NOT** vent exhaust into spaces between walls, crawl spaces, ceiling, attics or garages.
- Any old duct work should be cleaned or replaced if necessary to avoid the possibility of a grease fire. Check all joints on duct work to insure proper connection and all joints should be properly taped.
- Use only metal ductwork and this unit **MUST** be grounded.
- Before servicing or cleaning unit, switch power **OFF** at service panel and lock service panel to prevent power from being switched **ON** accidentally.
- When cutting or drilling into wall or ceiling, be careful not to damage electrical wiring or other hidden utilities.
- All electrical wiring must be properly installed, insulated and grounded.
- Use this unit only in the manner intended by the manufacturer. If you have questions, contact the vendor.
- **DO NOT** touch the bottom side of the range hood directly after usage because it may be hot. Wait until it has cooled.
- Make sure to inspect shipment and it's contents as soon shipment is received.
- Plug in and test range hood and all its functions, (refer to Range Hood Operations, Page 12), directly after receiving shipment, and before scheduling an installer.

## **TO REDUCE THE RISK OF A STOVE TOP GREASE FIRE:**

- Clean grease laden surfaces frequently.
- Clean ventilating fan frequently.
- Keep all surfaces clean from grease or oil build up.
- Grease should not be allowed to accumulate on fan, baffle, spaces, filter, any surfaces of the range hood or surrounding area.
- Always turn range hood **ON** when cooking at high heat or when cooking flaming foods. Use high settings on cooking range only when necessary.
- Never leave burners or cook top at high settings unattended. Boil overs cause smoking and greasy spillovers that may ignite. Heat oils slowly on low or medium settings.
- Always use appropriate cookware and utensils size.
- Always use cookware appropriate for the size of the surface element.

## **TO REDUCE THE RISK OF INJURY TO PERSONS IN THE EVENT OF A STOVE TOP GREASE FIRE:**

- **SMOTHER FLAMES** with a close-fitting lid, cookie sheet, or metal tray, then turn **OFF** the burner. **BE CAREFUL TO PREVENT BURNS. NEVER PICK UP A FLAMING PAN**—you may be burned. **KEEP FLAMMABLE OR COMBUSTIBLE MATERIAL AWAY FROM FLAMES.** If the flames **DO NOT** go out immediately, **EVACUATE AND CALL THE FIRE DEPARTMENT** or dial your local emergency service immediately.
- **DO NOT USE WATER**, including wet dishcloths or towels — a violent steam explosion may result.
- Use an extinguisher **ONLY** if:
  - You know you have a Class A, B, C extinguisher, and you already know how to operate it.
  - The fire is small and contained in the area where it is started.
  - The fire department is being called.
  - You can fight the fire while maintaining a safe exit path.

## **TO REDUCE THE RISK OF INJURY TO PERSONS IN THE EVENT OF A GAS LEAKS:**

- Extinguish any open flame.
- **DO NOT** turn on the range hood fan or any type of ventilator.
- **DO NOT** turn on the lights or any type of appliance.
- Open all doors and windows to disperse the gas. If you still smell gas, call the gas company and fire department, or dial your local emergency service immediately.

# Table of Contents

## INSTALLATION

Tools Needed .....	3
Parts Supplied .....	4
Venting Requirements .....	5
Height & Clearance .....	5-6
Duct Size Upgrade Calculator .....	6
Venting Methods .....	7
Charcoal Filter Installation .....	7
Electrical Requirements .....	8
Advanced Preparation .....	8-9
Installation Overview .....	10
Installation .....	11-12

## USE AND CARE

Range Hood Operations .....	13-14
Troubleshooting .....	15
Use and Care Information .....	16
Specifications .....	16
Electric Schematic .....	17

## MAINTENANCE

Cleaning, Replacing Filter & Light Bulb .....	18-19
---	-------

## WARRANTY

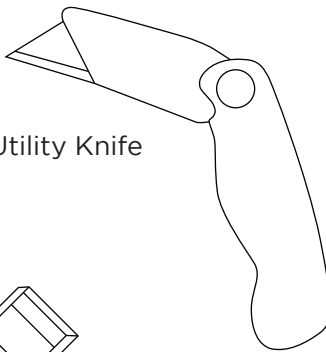
Coverage & Exceptions .....	20
Disclaimer .....	21
Contact Information .....	21

## Tools Needed

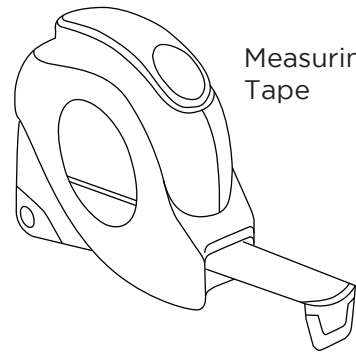
Marker  
or Pencil



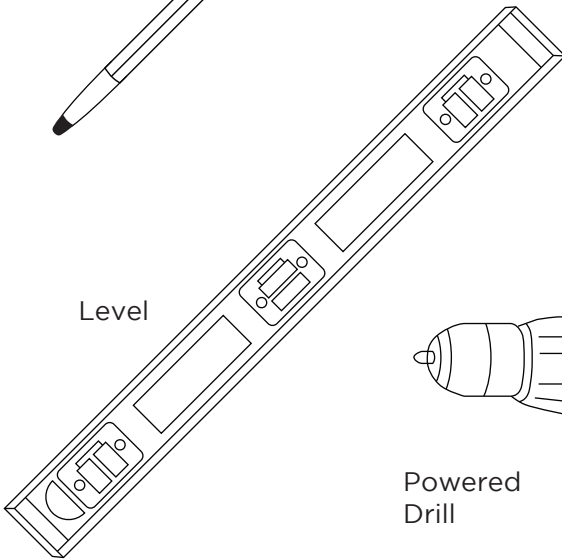
Utility Knife



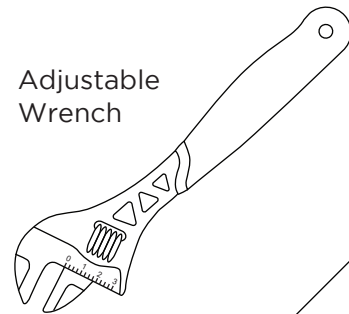
Measuring  
Tape



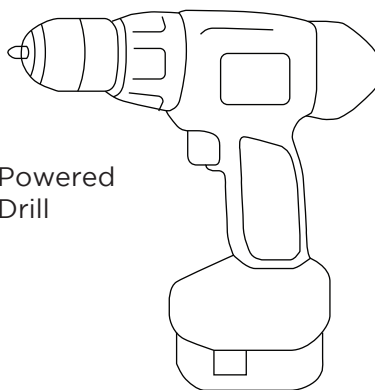
Level



Adjustable  
Wrench



Powered  
Drill



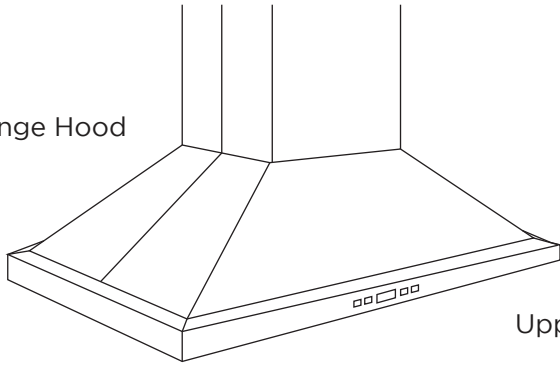
Flat & Phillips  
Screwdrivers



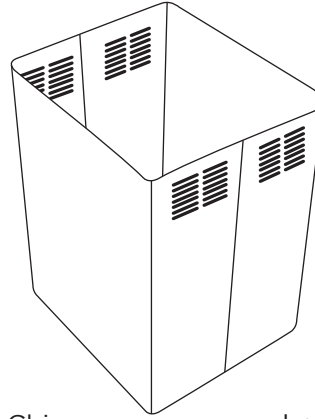


# Parts Supplied

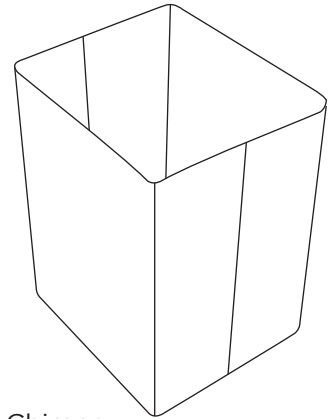
Range Hood



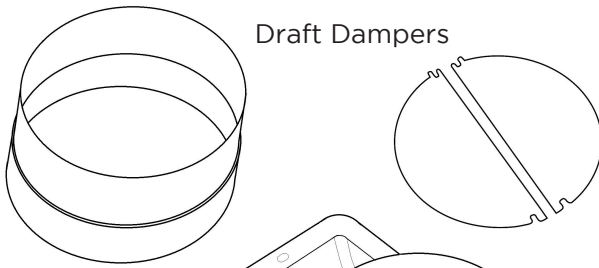
Upper Chimney



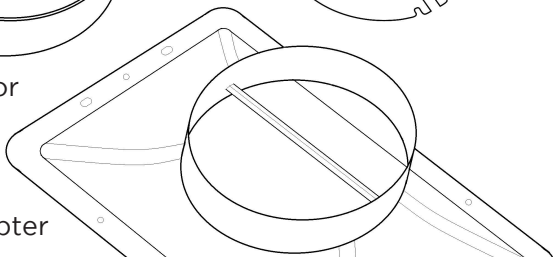
Lower Chimney



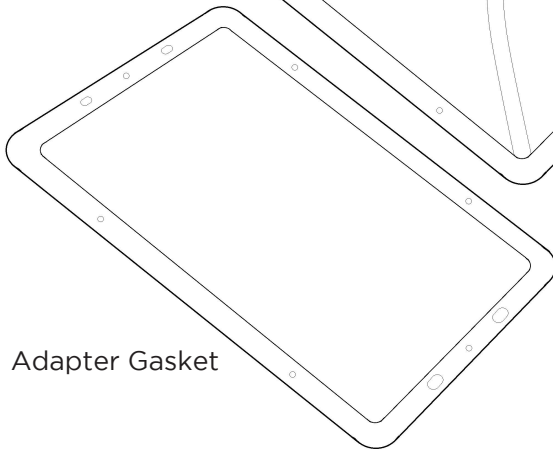
Draft Dampers



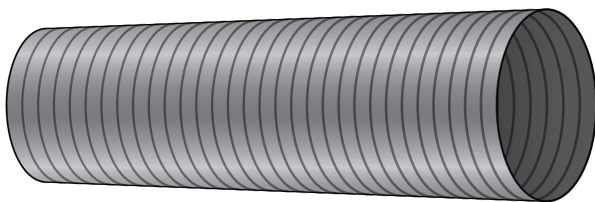
Duct Connector



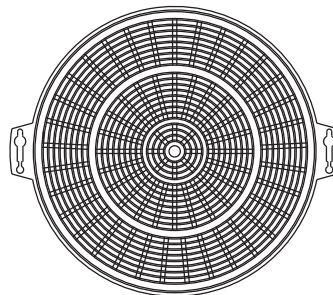
Duct Adapter



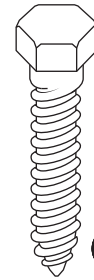
Adapter Gasket



Flexible Duct Tube



Charcoal Filter



Qty: 4 PCS



Qty: 18 PCS



Qty: 16 PCS



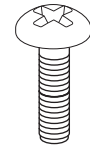
Qty: 2 PCS



Qty: 24 PCS

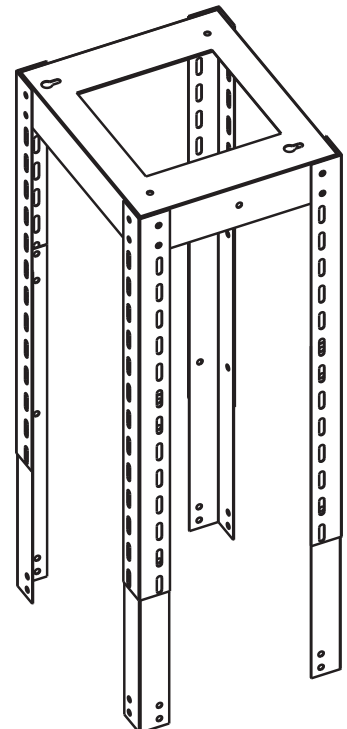


Qty: 24 PCS  
(Pre-Installed on support frame)



Qty: 6 PCS

Chimney Support Frame



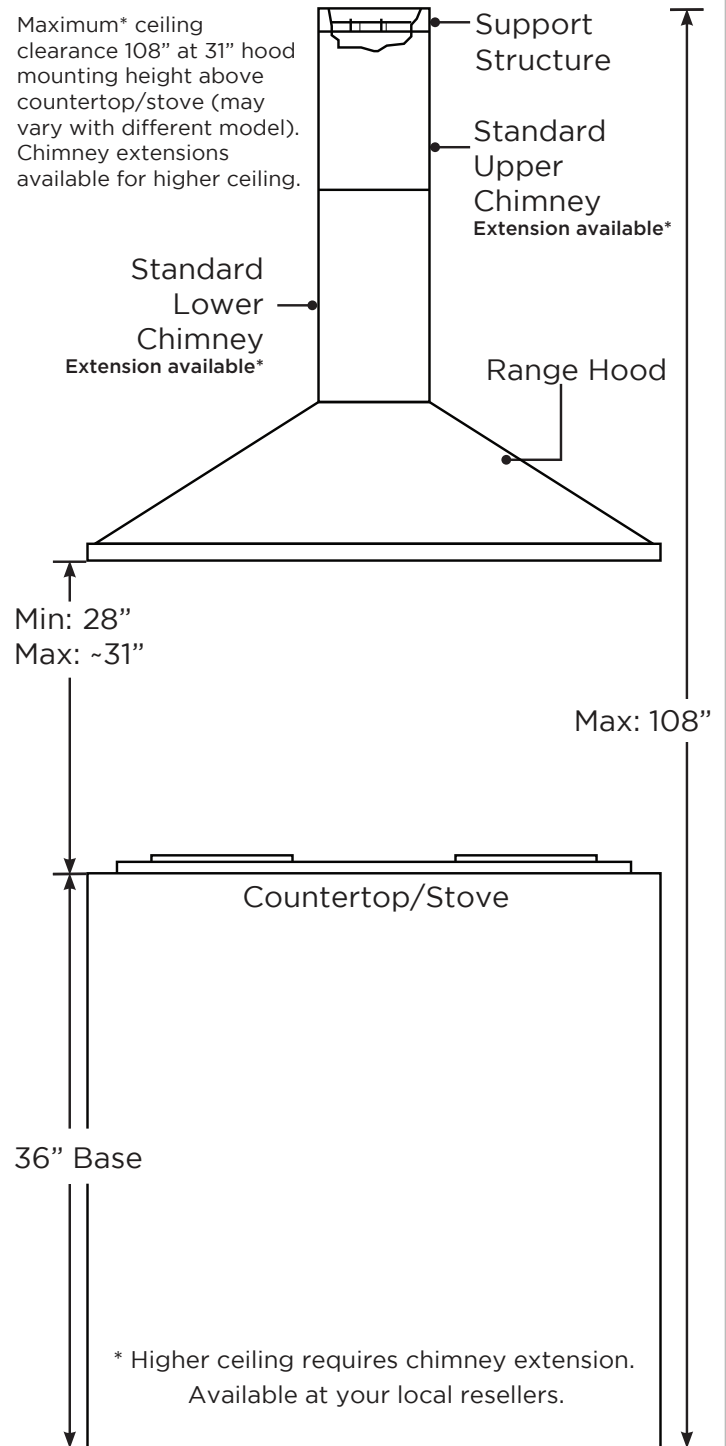
## Venting Requirements

- Vent system must terminate to the outside (roof or side wall).
- DO NOT terminate the vent system in an attic or other enclosed area.
- DO NOT use 4" (10.2 cm) laundry-type wall caps.
- Use metal/aluminum ducting only. Rigid metal/aluminum ducting is recommended.
- Always keep the duct clean to ensure proper airflow.
- Calculate the following figures before installation:
  1. Distance from the floor to the ceiling. \*(less than 108").
  2. Distance between the floor to the countertop/stove. (Recommend\* 28" to about 36").
  3. Distance between the countertop/stove to the range hood. (Recommended 28" to ~31").
  4. Height of range hood body and chimney covers combined. (Extension available\*)

### For the most efficient & quiet operation:

- A distance of 28" to 31" is recommended between stove top and the bottom of range hood.
- "28" is the lowest recommended for safe operation; 31" is only recommended for efficient operation, but can be mounted higher."
- It is recommended that the range hood be vented vertically through the roof through 6" (15.24 cm) or larger round metal/aluminum vent work.
- The size of the vent should be uniform.
- Use no more than three 90° elbows.
- For best results, attempt to make a minimum of 24" (61 cm) of straight vent between the elbows if more than one elbow is used.
- DO NOT install two elbows together.
- The length of vent system and number of elbows should be kept to a minimum to provide efficient performance.
- The vent system must have a damper. If roof or wall cap already has a damper, DO NOT use the supplied damper (if applicable).

## Height & Clearance



- Use duct tape or equivalent to seal all joints in the vent system.
- Use caulking to seal exterior wall or roof opening around the cap.

\* Due to different ceiling height configurations, recommended height may not be applicable.

## Height & Clearance

### IMPORTANT:

- A minimum of 6" round (standard for this range hood) or 3 1/4" x 10" rectangular duct (purchased separately) must be used to maintain maximum airflow efficiency.
- A flexible 6" round duct is provided for convenience and for use in difficult installations, however always attempt to use a smooth metal/aluminum rigid type of ducting to maximize airflow efficiency.
- ALWAYS, when possible, reduce the number of transitions and turns. If long duct run is required, increase duct size to 7" or 8". If a reducer is used, install a long reducer instead of a pancake reducer. Any reductions of duct size will restrict and decrease airflow; to maximize airflow flow efficiency place any reducers furthest away from any bends or transitions.
- If turns or transitions are required, install them as evenly distanced as possible, and as far away from the range hood as possible.
- Please use Duct Run Calculation below to compute the total available duct run when using elbows, transitions and caps.
- It is important to install the hood at the proper mounting height. Hoods mounted too low is considered unsafe and could result in heat damage and fire hazard; while hoods mounted too high are harder to reach and will loose general effectiveness.
- Minimum mount height between stove top to hood bottom should be no less than 28". Any less is considered unsafe and not recommended.
- Maximum mount height between stove top to hood bottom can be higher than 31 inch\*, but is recommended to be the best efficiency. (Extension available\*)
- If available, also refer to stove top manufacturer's height clearance requirements and recommended hood mounting height above range.

\* Due to different ceiling height configurations, recommended height may not be applicable.

### Minimum Duct Size:

- Round - 6" minimum
- Rectangular - 3 1/4" x 10" minimum (requires a 6" to 3 1/4" x 10" adaptor, not supplied)

## Duct Size Upgrade Calculator

Minimum duct size recommended is 6" round (or 3 1/4" x 10" rectangular). Maximum duct length recommend is 50 ft. Any duct length over 50 ft is recommended to use a larger diameter duct size.

Survey the installation application and record the estimated length of ducting required or used for that application. Record the number of bends, angle of bends, and/or any transitional pieces used. Each bend or transition will reduce air flow and reduce the recommended duct length.

Duct Deductions:	
Each 90° bend	9 ft
Each 45° bend	5 ft
Each 6" to 3 1/4" x 10" transition	7 ft
Side wall cap with damper	1 ft
Roof Cap (with factory Damper)	1 ft

### Duct Deduction Calculation Example:

(1) 90° bend, (1) 3 1/4" x 10" transition, (2) 45° bends, (1) sidewall cap with damper (with factory damper not installed)  
 $-9\text{ft} + -7\text{ft} + -5\text{ft} + -5\text{ft} + -1\text{ft} = -27\text{ft}$

Deduct 27 ft from 50 ft, giving you 23 ft of available straight ducting before it is recommended to upgrade your ducting size.

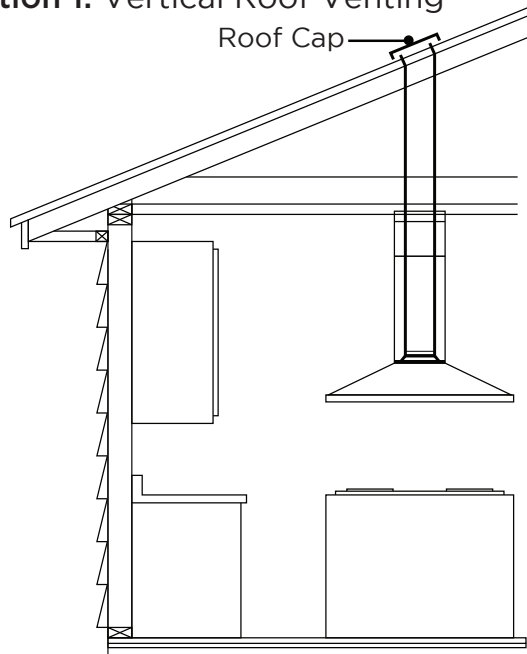
## Venting Methods

- This range hood is factory set for venting through the roof or wall.
- Vent work can terminate either through the roof or wall. To vent through a wall, a 90° elbow is needed.

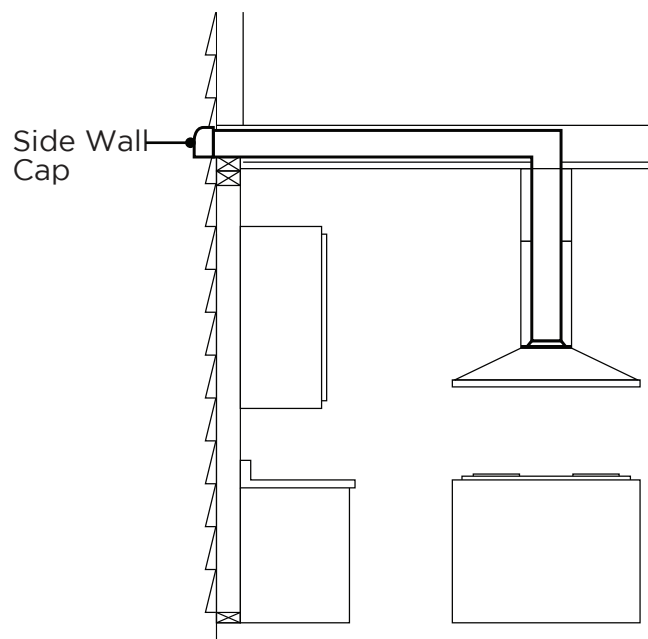
### IMPORTANT:

- NEVER exhaust air or terminate duct work into spaces between walls, crawl spaces, ceiling, attics or garages. All exhaust must be ducted to the outside.
- Use metal/aluminum duct work only.
- Fasten all connections with sheet metal screws and tape all joints with certified duct tape or equivalent.
- Use caulking to seal exterior wall or roof opening around the cap.

### Option 1: Vertical Roof Venting



### Option 2: Horizontal Wall Venting



## Charcoal Filter Installation

### NOTE:

1. Remove grease filters from the hood.
2. Position the charcoal filters onto the side of the motor, aligning the mounting points, turn until it locks. Re-install aluminum filters.
3. Charcoal filters must be replaced after 120 hours of use (or approximately every 2 to 3 months based on the average of 1 to 2 hours of daily cooking time). Available at your local resellers.

## Electrical Requirements

**IMPORTANT:** Observe all governing ordinances and local codes.  
(Please consult with a qualified electrician for any electrical wiring)

It is the customer's responsibility:

- To contact a qualified electrical installer.
- To assure that the electrical installation is adequate and in conformance with National Electrical Code, ANSI/NFPA 70 — latest edition\*, or CSA Standards C22. 1-94, Canadian Electrical Code, Part 1 and C22. 2 No. 0-M91 - latest edition\*\* and all local codes and ordinances.
- Provide a circuit protected power service; preferably a Ground Fault Circuit Interrupter ("G.F.C.I."): 120-volt, 60 Hz, AC, with at least 5-amps of available service.
- Enlist a qualified electrician to ensure the range hood and electrical lines are adequately grounded and properly protected. **NEVER** electrically ground to a gas pipe.

**IMPORTANT:** Save this Installation Guide for future reference and/or electrical inspector use.

The range hood should be connected with a circuit breaker protected power service.

Wire sizes (copper wire only) and connections must conform with the rating of the appliance as specified on the model/serial rating label. Wire sizes must conform to the requirements of the National Electrical Code ANSI/NFPA 70 — latest edition\*, or CSA Standards C22. 1-94, Canadian Electrical Code Part 1 and C22. 2 No. 0-M91 - latest edition\*\* and all local codes and ordinances. A U.L. - or C.S.A. - listed conduit connector must be provided at each end of the power supply cable (at the range hood and at the junction box).

Copies of the standards listed may be obtained from:

\* National Fire Protection Association  
Batterymarch Park  
Quincy, Massachusetts 02269

\*\* CSA International  
8501 East Pleasant Valley Road  
Cleveland, Ohio 44131-5575

## Advanced Preparation

### Advanced Preparations:

1. Familiarize yourself with the controls of the range hood by reading through Range Hood Operations, Page 13.
2. Place the range hood on a flat, stable surface. Connect the range hood to a designated standard outlet (please refer the product label for the suitable voltage of this unit) and turn on the range hood. Verify all operations of the range hood by referring to Range Hood Operations, Page 13.
3. Place all supplied parts and required hardware on a flat, stable surface and verify the presence of all supplied parts listed on Page 4.
4. Carefully remove the white plastic protective coat from the chimney covers and range hood.



## WARNING

### Excessive Weight

Require three or more persons to move and install this range hood. Spinal or other bodily injuries could occur if it is not followed.

## Preparation

### Preparations:

**NOTE: To avoid damage to your hood, prevent debris from entering the vent opening.**

1. Determine and mark the center line on the ceiling where the range hood will be installed. Make sure there is proper clearance within the ceiling or wall for exhaust vent.
2. Due to the weight and size of this unit, please make sure that the support system or framework being used is stable and secure in the wall or ceiling.
3. Put a thick, protective covering over counter top, cook top or range to protect from damage or dirt. Remove any hazardous objects around the area when installing.
4. Mark the locations of the support mounting bracket holes, ducting cutout (if used) and power supply cable cutout on the ceiling. Use drill and saber saw or keyhole saw to cut openings for power supply cable and ducting (see *Venting Requirements* and *Electrical Requirements*, Pages 5-8).
5. If venting to the outside install vent system (see *Venting Methods*, Page 7). Use caulking to seal exterior wall or roof openings.
6. Disconnect main electrical supply, prepare and run electrical wiring through ceiling or wall. Leave approximately 12" of electrical cord hanging from the ceiling. DO NOT restore power until installation is completed.
7. Disconnect power cord, remove the aluminum filter by pressing on the latch toward the direction of solid arrow while holding the metal handle, gently pull the aluminum filter toward the direction of dashed arrow as shown in Figure 1.
8. Set aside the aluminum filters until the range hood is properly installed.
9. Assemble the duct adapter onto the range hood body. Place the duct adapter gasket into the hollow perimeter of the rectangular side of the duct adapter; place the rectangular side of the duct adapter over the range hood duct, aligning the screw holes; fasten the duct adapter onto the range hood body using the supplied hardware: "G" screws.

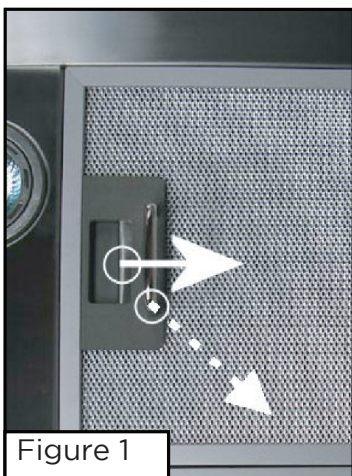
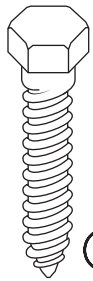


Figure 1



# Installation Overview



Qty: 4 PCS



Qty: 18 PCS



Qty: 16 PCS



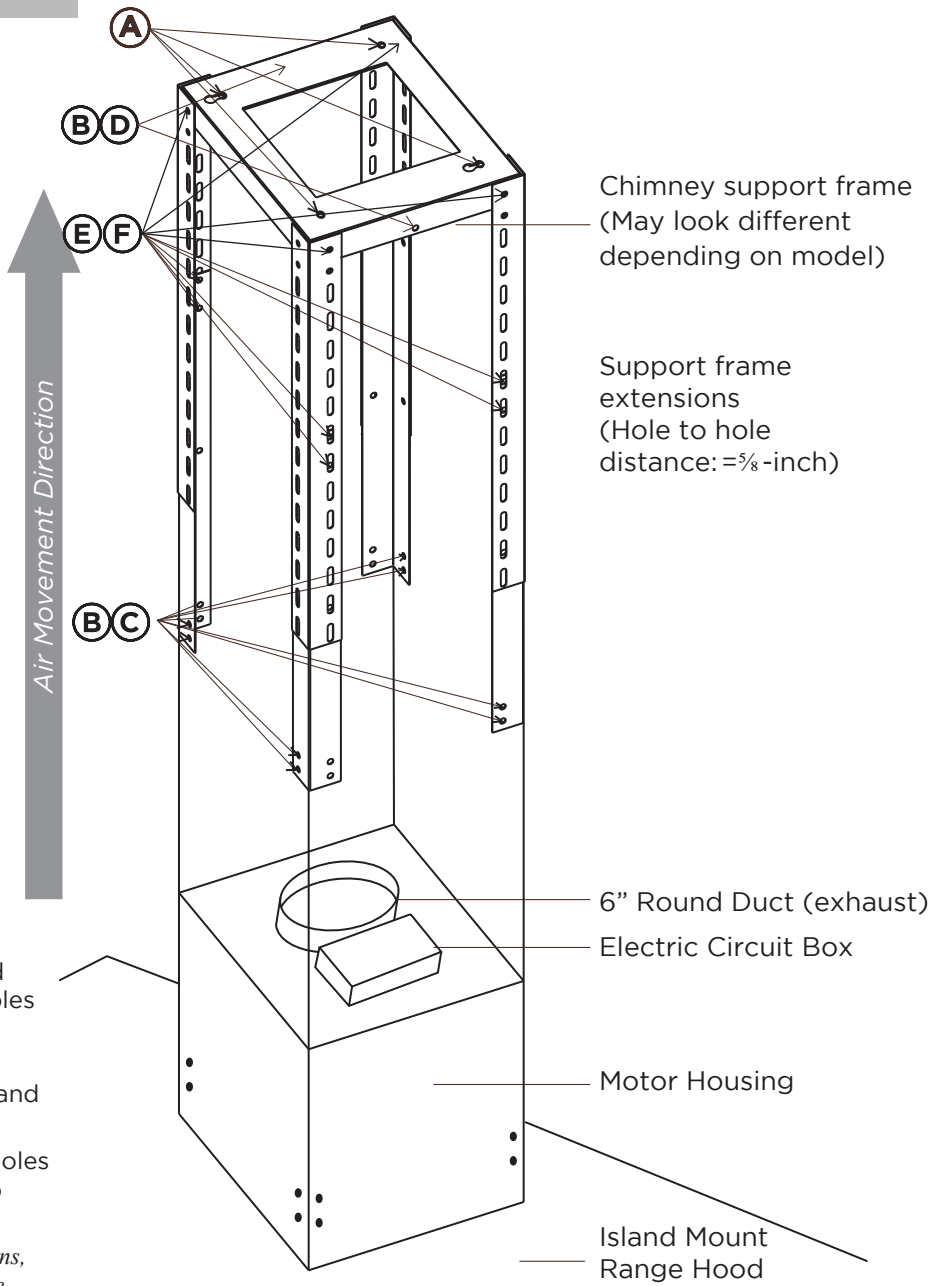
Qty: 24 PCS



Qty: 24 PCS



Qty: 2 PCS



**NOTE:**

- **(A)** Lag bolts designed to be affixed into structural support. Pre-drill holes as to not split structural pieces.
- A distance of 28" to \*31" is recommended between stove top and the bottom of range hood.
- **(B)(C)** Always use first and second holes on the support frame extensions to secure lower support frame.

\* Due to different ceiling height configurations, recommended height may not be applicable.



# Installation

**IMPORTANT: Remove the filters from the range hood, so they do not get damaged during installation.**

1. **Mark where you want your range hood installed:**

Measure and mark the location of where you want your chimney and range hood installed, and then align the upper support frame within those marks. Make additional marks at the locations of the mounting bolt holes. Ensure there is enough clearance for the range hood body to attach to the support frame without colliding into any other objects.

2. **Predrill mounting holes:**

Predrill the bolt hole locations, so the bolts do not split apart or weaken any supporting frames or joist.

3. **Mount the upper support frame:**

Align the upper support frame with the predrilled holes in ceiling. Mount the upper support frame to the ceiling using (4) four "A" bolts (or fasteners that meet or exceed the factory hardware). Ensure the upper support frame is securely fastened to the joist or support in the ceiling. Attach the upper support frame to ceiling using fasteners or anchors recommended for your type of ceiling:

- Sheet rock or Wood ceilings: Attach support frame to ceiling structural joists or stud blockings if possible. If ceiling joists or stud blockings are not available, it is required to build a supporting structure behind the sheet rock for the best support.
- Concrete ceiling: Use designated concrete screws and/or anchors (not provided) that meet or exceed the factory hardware specifications.

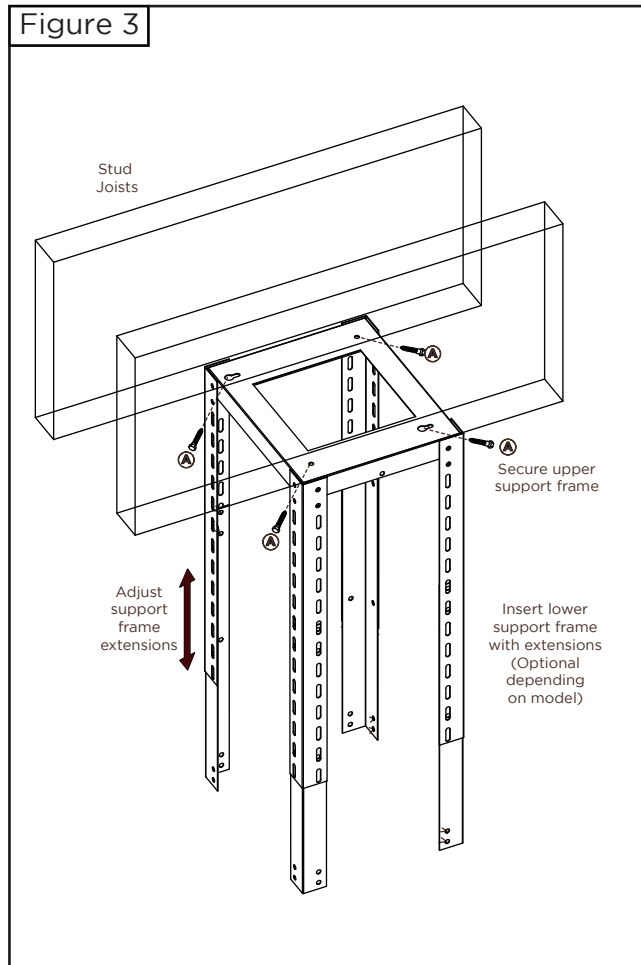
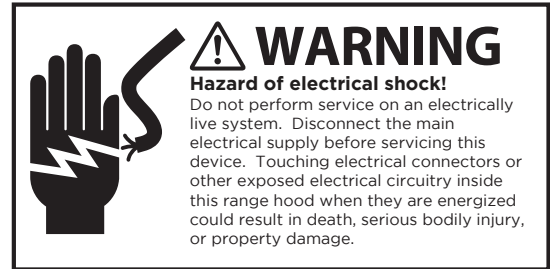
4. **[OPTIONAL] Install Recirculation Kit:**

Skip this step if the optional "non-venting kit" or "re-circulating kit" was not purchased. Place the air diverter assembly inside upper support frame so that its 6-inch round hole faces downward and then secure it with four "F" bolts onto the upper support frame.

5. **Measure and mark the installation height of the support frame extensions:**

Position the support frame extensions at the inside corners of the support frames, adjust and mark each support frame extension as necessary to achieve the proper height for the range hood to be set away from the cook top. (See "Height and Clearance" on Page 5 and "Installation Overview" on Page 10).

- Some support frame extensions are made of multiple pieces fastened together (depending on model) to adjust for length
- Adjust the support frame extensions as needed (depending on model)





## Installation (Continued)

### 6. Install the support frame extensions onto the range hood body:

Fasten the adjusted (Step 5) support frame extensions onto the lower support frame using “B” screws and “C” washers as shown in Figure 3. Each end of support frame extension should be installed with at least (2) two “B” and “C” fasteners. Repeat this step for all the support frame extensions.

- If your specific model does not have a lower support frame, then the support frame extensions will fasten directly onto the range hood body, using the same “B” and “C” fasteners. **IMPORTANT:** Always use at least 1 bolt and nut set on each side of the support frame extensions, (2-sides on each) on both ends (2-ends on each).

### 7. Install the flexible duct tube:

Install and affix the flexible duct tube onto the household ducting (or Air Diverter assembly) at the top of the chimney; extend the ducting down and ensure there is approximately 6” of ducting to install onto the vent ducting. Only use approved ducting tape or fastening devices.

### 8. Partially install the chimney covers onto the range hood:

Position the chimney covers over the support frame extensions, resting onto the range hood. Ensure they are the correct orientation as if they fully installed.

### 9. Install the support frame extensions and range hood assembly onto the upper support frame:

Have multiple people lift, hold and position the range hood assembly (with chimney covers) to install the open end of support frame extensions onto the upper support frame (already installed into your ceiling). Fasten each extension with “B” screws and “C” washers as shown in Figure 3. **IMPORTANT:** Always use at least 1 bolt on each side of the support frame extensions, on both ends.

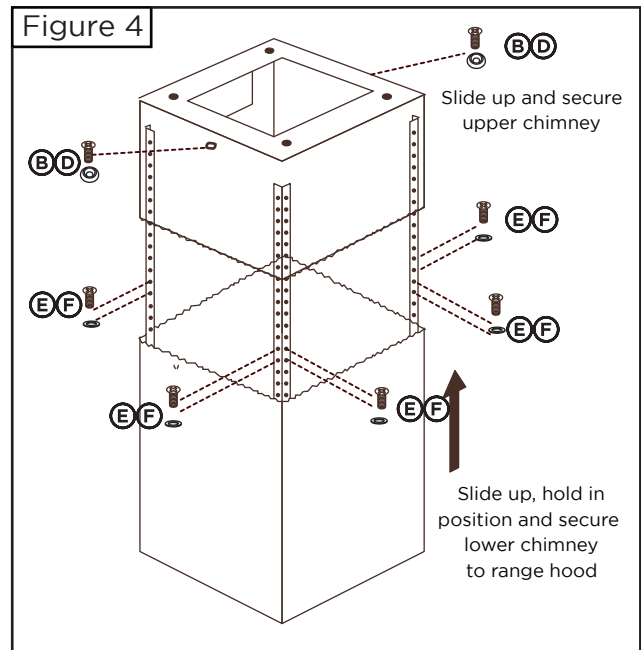
### 10. Connect the ducting the power plug:

Ensure there is no power present at the power outlet, plug in the unit, and also affix the flexible ducting. Only use approved ducting tape or fastening devices.

### 11. Affix the upper chimney cover onto the upper support frame:

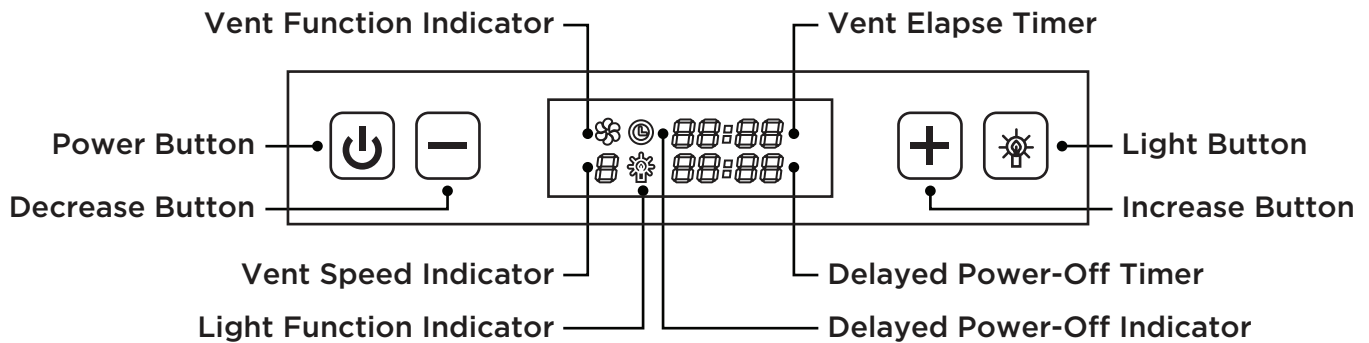
Using the “D” screws, separate, lift and position the upper chimney cover over the upper support frame, aligning the mounting holes, and then affixing the upper chimney into place.

### 12. Re-install grease filters and also remove all protective wrapping, and then check all range hood functions. Clean stainless steel surfaces with stainless steel cleaner.



# Range Hood Operations

## Control Panel, Display and Functions:








This range hood is designed to remove smoke, cooking vapors and odors from the cook top area. For best results, start the range hood before cooking and allow it to operate several minutes after the cooking is completed to clear all smoke and odors from the kitchen.

Button and Graphic Functions		
	<b>Power Button</b>	[Press] Power ON/OFF the range hood [Hold] Activate the Delayed-Vent-Off feature
	<b>Decrease Button</b>	[Press] Decrease vent (motor) speed [Alternate] Decrease timer value [Hold] Enter timer mode
	<b>Increase Button</b>	[Press] Increase vent (motor) speed [Alternate] Increase timer value [Hold] Timer reset (cumulative)
	<b>Light Button</b>	[Press] Powers ON/OFF light function [Hold] Cycles through Dimmer function
	<b>Vent Elapse Timer</b>	Displays the accumulated time the hood is running
	<b>Delayed Power-Off Timer</b>	Displays the length of time left for the delay off function
	<b>Delayed Power-Off Indicator</b>	Illuminates when delayed-auto-shutoff feature is on
	<b>Vent Function Indicator</b>	Illuminates when the vent (motor) function is on
	<b>Vent Speed Indicator</b>	Illuminates when the vent (motor) function is on and displays the speed setting
	<b>Light Function Indicator</b>	Illuminates when the light feature is on

## Range Hood Operations (Continued)




### Controls:

#### Adjusting the hood (motor) speed:





- Press  Power button once to turn on the system. The  Vent Function Indicator icon flashes showing that the suction is ready.  Decrease button will decrease the speed of the vent from 6 to 1 (strongest to quietest).  Increase button will increase the speed of the vent from 1 to 6 (quietest to strongest).
- Press  Power button once to turn off the system.

*Note: The system saves user configurations, settings such as light, timer and blower (motor) speed will remain the same the next time it is turned on.*



#### Adjusting the timer function:

- While the vent (motor) is not running, press and hold  Decrease button over 3 seconds to enter timer mode. Adjust to desired period of delay off timer by pressing  Increase or  Decrease button (minimum 1 minute to maximum 15 minutes). This setting will be saved immediately.


#### Activating the timer function:

- While the vent (motor) is running, press and hold  Power button for over 3 seconds to activate  Delayed Power-Off Timer.  Delayed Power-Off Indicator will illuminate and  Delayed Power-Off Timer will begin to countdown, when it reaches zero, the vent will shut down.

#### Adjusting the light:

- Press  Light button once to turn on the lights, and once again to turn off the lights.
- While the lights are off, press and hold  Light button for over 3 seconds to dim the lights from low to high. Level of brightness will be stored in system's memory.

#### Automatic cleaning reminder:

- This range hood is equipped with a cleaning reminder that will activate following 30 hours of use. When the hood (motor) starts, cumulative running time will be shown in Vent Elapse Timer. This timer icon flashes when 30 hours is up and reminds user to clean the aluminum filter.
- After cleaning the filter and when the hood is not in use, press and hold  Increase button over 3 seconds to reset the Vent Elapse Timer. Please note that turning off the system will not reset the timer.

**CAUTION: DO NOT touch the lights until switched OFF and cooled.**

*Note: Light settings are independent from other settings (including power-off delay) and lights has to be manually turned on or off.*

*Note: The system saves user configurations, settings such as light, timer and vent (motor) speed will remain the same the next time it is turned on.*

## Troubleshooting

**If the range hood or light does not operate after installation:**

- Check if the range hood has been plugged in, make sure that all power has been turned back ON, and all electrical wiring are properly connected. Swap out light bulb to working ones to determine
- whether it is caused by defective bulbs. See Replacing the light bulbs on Page 19.

**The range hood vibrates when the suction is on:**

- The range hood might not have been secured properly on to the ceiling or wall. Check with your installer

**The suction or fan seems weak:**

- Check that the duct sized used is at least 6" or 3 ¼" x 10". Range hood WILL NOT function efficiently with insufficient duct size. For example: 7" duct over 6" hole and loosely secured.
- Check if duct is clogged or if damper unit (half-circular flapper) is not installed correctly or opening properly. A tight mesh on a side wall cap unit might also cause restriction to the air flow.

**The lights work but the suction is not spinning, is stuck or is rattling.**

- The blower might be jammed or scraping the bottom due to shipping damage. Please contact us immediately.

**The hood is not venting out properly:**

- Make sure the distance between the stove top and the bottom of the hood is within 28" and 31" in distance. \*Due to different ceiling height configurations, recommended height may not be applicable.
- Reduce the number of elbows and length of duct work. Check if all joints are properly connected, sealed, and taped.
- Make sure the power is on high speed for heavy cooking.

**Purpose of the slots/holes/openings near the top of the upper chimney:**

- These slots/holes/openings are used to exhaust filtered air.

*Note: For all other inquiries, please contact us. Our contact information can be found on the back cover page.*

## Use and Care Information

### Operations:

- Read and understand all instructions and warnings in this manual before operating the appliance. Save these instructions for future reference.
- Always leave safety grills and filters in place. Without these components, operating blowers could catch on to hair, fingers and loose clothing.
- NEVER dispose cigarette ashes, ignitable substances, or any foreign objects into blowers
- NEVER leave cooking unattended. When frying, oil in the pan can easily overheat and catch fire. The risk of self combustion is higher when the oil has been used several times.
- NEVER cook using “open” flames under the range hood. Check deep-fryers during use: Superheated oil may be flammable.

### Cleaning:

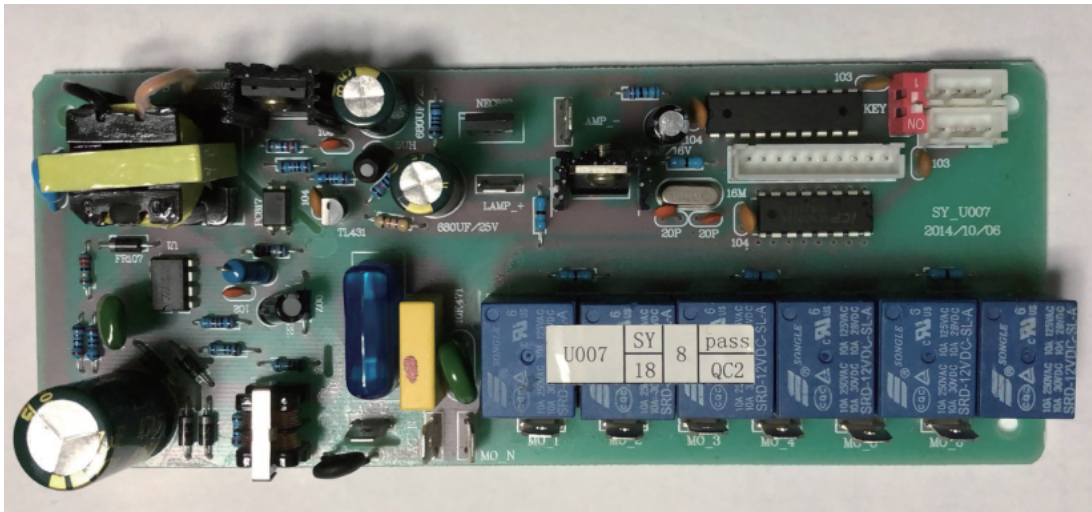
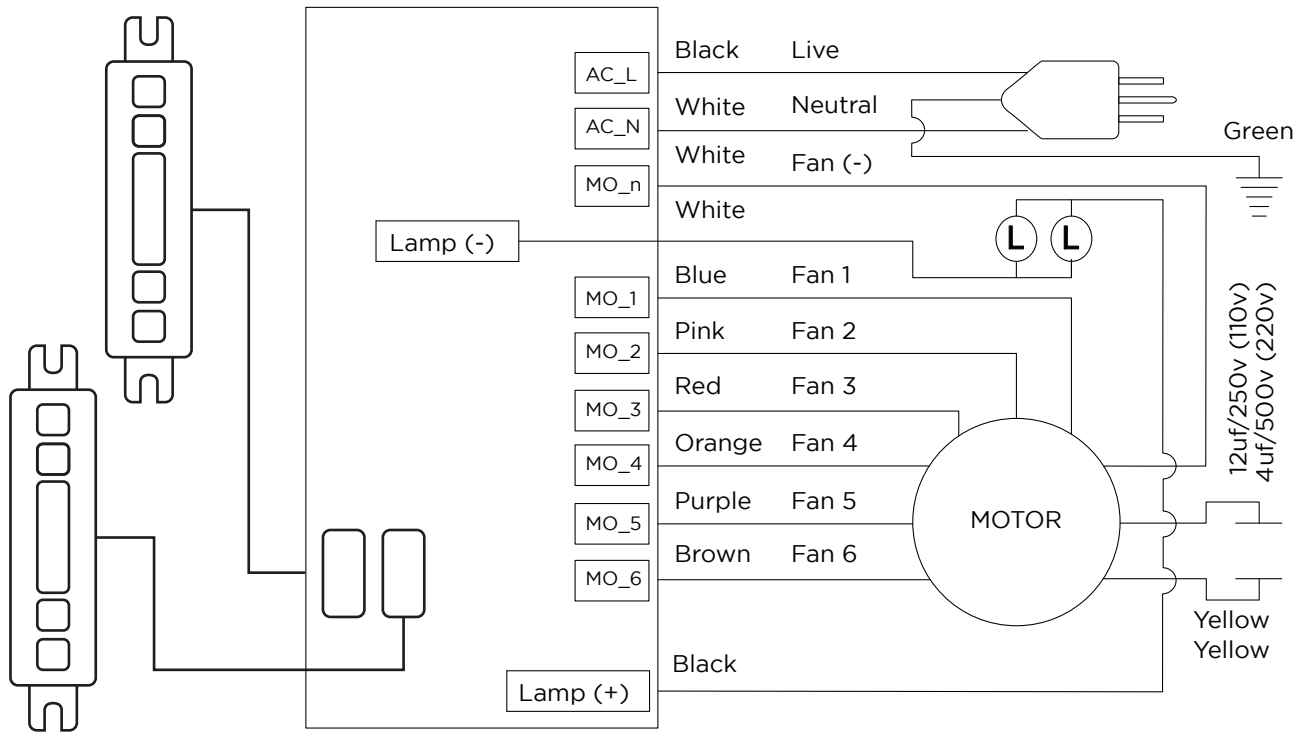
- The saturation of greasy residue in the blower and filters may cause increased inflammability. Keep unit clean and free of grease and residue build-up at all times to prevent possible fires.
- Filters must be cleaned periodically and free from accumulation of cooking residue (see cleaning instructions on Page 18). Old and worn filters must be replaced immediately.
- DO NOT operate blowers when filters are removed. Never disassemble parts to clean without proper instructions. Disassembly is recommended to be performed by qualified personnel only. Read and understand all instructions and warnings in this manual before proceeding.

## Specifications

<b>Body Material</b>	Stainless Steel, Brushed Satin Finish
<b>Overall Voltage</b>	115V, 60Hz
<b>Maximum Power Usage</b>	132W
<b>Lighting Wattage</b>	3W (x4)
<b>Lamp Type</b>	SV12-LED
<b>Motor Power</b>	120W
<b>Motor Speed</b>	6 Levels
<b>Motor Type</b>	Induction, Ultra Quiet
<b>Fan Type</b>	Centrifugal
<b>Ducting / Venting</b>	6 inches, Round, Top Venting
<b>Control Type</b>	Dual Electronic Control Panels with LCD Display
<b>Protections</b>	Electrical Short Fuse, Radio Frequency Interference
<b>Filtration Type</b>	Stainless Steel Baffle Filter

\* Subject to change without notice, please contact your local reseller for details.

# Electric Schematic



*\* Subject to change without notice, please contact your local reseller for details.*

## Maintenance

### **SAFETY WARNING: Never put your hand into area housing the fan while the fan is operating!**

For optimal operation, clean range hood and all baffle/spacer/filter regularly. Regular care will help preserve the appearance of the range hood.

#### **Cleaning Exterior Surfaces:**

- Clean periodically with hot soapy water and clean cotton cloth. DO NOT use corrosive or abrasive detergent (e.g. Comet Power Scrub®, EZ-Off® oven cleaner), or steel wool/scoring pads, which will scratch and damage the stainless steel surface. For heavier soil use liquid degrease such as “Formula 409®” or “Fantastic®” brand cleaner.
- If the finish looks splotchy (stainless steel hood), use a stainless steel cleaner to clean the surface of the hood. Use a dry soft towel to dry the hood. **CAUTION: Do not leave the cleaning solution on the surface too long as this may damage the finish.** Avoid getting cleaning solutions into or onto the control panel, computer components, wires or wired plugs.
- Always wipe/clean/polish in the same direction as the brushed stainless steel finish. Never wipe against the grain.
- After cleaning, you may use non abrasive stainless steel polish such as 3M® or ZEP®, to polish and buff out the stainless luster and grain. Always scrub lightly, with clean cotton cloth, and with the grain.
- DO NOT allow deposits to accumulate or remain on the hood, as they will become harder to clean, and may cause scratching of the finish.
- DO NOT use ordinary steel wool or steel brushes. Small bits of steel may adhere to the surface and cause rusting.
- DO NOT allow salt solutions, disinfectants, bleaches, or cleaning compounds to remain in contact with stainless steel for extended periods. Many compounds contain chemicals, which may be damaging. Rinse with water after exposure and wipe dry with a clean cloth.

#### **Cleaning Aluminum Grease Filter / Stainless Steel Filterless Grill:**

**IMPORTANT:** Drain oil from oil containers before potential residue overflow!

- The metal filters are intended to help filter grease, residue and moisture from cooking. They are required to be kept clean for performance and safety concerns, and may require replacement if neglected.
- Filters should be cleaned after every 30 hours of use or sooner depending on usage conditions.
- Remove and clean by hand or dishwasher. NOTE: Some newer dish detergents may cause marking or blackening of aluminum metals, such as the mesh aluminum filters. Spray “Formula 409®” or equivalent degreasing detergent and allow to soak if heavily soiled. Rinse with warm water, allow the filters to dry and then and re-install before using hood.

#### **Replacing Filters:**

- Should filters wear out due to age and prolonged use, please contact your local reseller for replacement filters. Consider preemptively purchasing an extra set of filters to store on hand, or upgrading to stainless steel baffle filters.
- Note: Also replace damaged filter that has punctured or broken mesh, bent or broken frame.





### **WARNING**

#### **Hazard of Burns!**

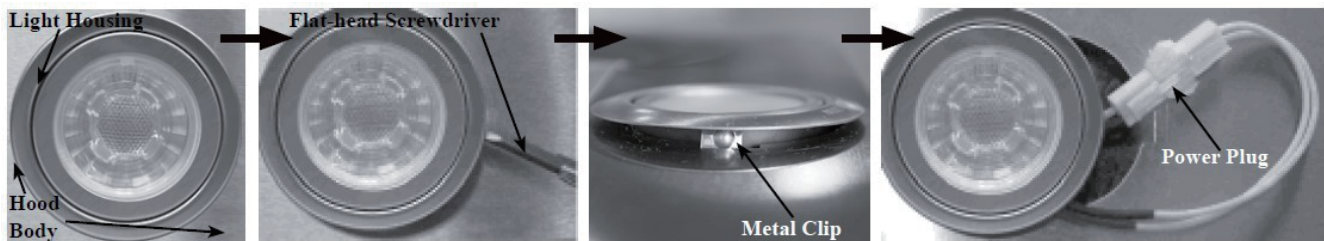
Light bulb become extremely hot when turned on. DO NOT touch bulb until switched off and cooled. Touching hot bulbs could cause serious burns.

#### **Replacing The Light Bulb:**

- Check the range hood tag for lamp specifications. Halogen bulbs will not work on "LED" models (they will lightly pulse or flash).
- Before performing any task outside of basic operation, turn off the power supply and/or unplug the unit.
- Before attempting to handle the light bulbs, ensure the bulbs are cool to the touch, including any adjacent working surfaces

#### **Replacing LED Light Fixture:**

- This range hood uses LED light fixture: 3W Max 12V LED
- Make sure the range hood is unplugged or turn OFF breaker and the lights are cool to touch.
- Place a flat-head screwdriver between light housing and hood body, gently pry up the light housing and search for the metal clip. (Recommended: use multiple layers of tape over the screwdriver head to prevent any scratching of the finish)
- Apply force to the metal clip and pull out the light fixture. Disconnect the power cable and discard the old light fixture.
- Reverse the steps to install a new halogen light fixture. Turn ON breaker and range hood to test for operation.





# Warranty

## **Five Years Parts Warranty:**

For five years from the date of original purchase, your local reseller will provide free of charge, non-consumable replacement parts or components that failed due to manufacturing defects. Subject to the conditions and limitations set forth below, your local reseller will, at its option, either repair or replace any part of its products that prove defective by reason of improper workmanship or materials. Repaired parts or replacement products will be provided by your local reseller on an exchange basis, and will be either new or refurbished to be functionally equivalent to new. The consumer is responsible for all shipping costs. Consumable parts not covered by this warranty include but not limited to: Light bulbs or filters of any type.

## **Who is Covered:**

This warranty is extended to the original purchaser for products purchased for ordinary home use.

## **This Warranty Will Be Voided When:**

Product damaged through negligence, improper installation, accident, abuse, misuse, natural disaster, insufficient or excessive electrical supply, abnormal mechanical or environmental conditions, or any unauthorized disassembly, repair, modification, or failure to follow installation instructions. When product is used commercially or other than its intended purpose. Damaged because of improper connection with equipment of other manufacturers. Repaired or modified by anyone other than your local reseller's authorized agents. This limited warranty also does not apply to any product on which the original identification information has been altered, obliterated or removed, has not been handled or packaged correctly or has been sold as second-hand.

## **What is Not Covered:**

Consumable parts such as light bulbs and filters of any type. The natural wear of finish, and wear due to improper maintenance, use of corrosive and abrasive cleaning products, pads, and oven cleaner products. Chips, dents or cracks due to abuse, misuse, freight damage, or improper installation. Damage of product caused by accident, fire, floods or act of God. The manufacturer and/or distributor/reseller is not liable for, and does not cover under warranty, any loss of properties or any costs associated with removing, servicing, installing, or determining the source of problems with this product.

This warranty is valid in the country of the original purchase at retail. It is non-transferable and applies only to the original purchaser and does not extend to subsequent owners of this product. Any applicable implied warranties, including the warranty of merchantability, are limited in duration to a period of express warranty as provided herein beginning with the date of original purchase at retail and, no warranties, whether express or implied, shall apply to this product thereafter.

To obtain warranty service, you may contact your local reseller from which you purchased this product. Please confirm the terms of your local reseller's policies prior to contacting. Typically, you must include product identification information, including model number and serial number with a detailed description of the problem you are experiencing. You must also include proof of the date of original retail purchase as evidence that the product is within the applicable warranty period.

The information in this document is subject to change without notice, please contact your local reseller for updated details.

## Disclaimer

Carefully inspect all items for damages before accepting delivery. Note and picture any damages to the external box, contents or item to the carrier and written on the freight bill or delivery receipt. Request name and signature of the carrier's agent and keep copy to support your claim. Upon acceptance of items, owner assumes responsibility for its safe arrival. Report damages to the carrier and file a claim immediately. Failure to do so may result in the denial of your claim. The carrier will furnish you with necessary forms for filing a claim.

Damages caused during transit are not covered under our warranty. Please contact us for additional help in filing your insurance claim.

Please inspect contents of package(s) carefully upon receiving! We must be notified of any damages and/or missing parts within five (5) days upon your receipt of package(s). Claims will not be accepted after five (5) days. NOTE: Items were thoroughly tested and carefully packed in our factory before shipping.

Products must be returned in good working condition with ALL original parts and documentation packed in ALL original cartons, fillers and shipping cartons. A restocking fee of 15% will be charged for all approved return(s). Exchanges or returns may not be accepted if any packaging is missing.

Be sure to inspect the hood for damage and defects, and also function test the hood before installation. Appearance flaws of the hood found after installation and not affecting hood performance is not covered under our warranty for returns or exchanges. Service visits not covered under warranty.

Before Installation: Return for exchange or refund (please see above for acceptable returns).  
After Installation: NO exchange or refund.

## Contact Us

If you need any assistance, please contact your local reseller. Please have your order number and model of the range hood ready. This information will help process your request or inquiry more effectively.

If you need replacement parts, we recommend that you only use genuine parts. Our accessories and parts are engineered and designed specifically for this series of range hood, each is rigorously tested assuring the utmost in durability and reliability, providing a factory match, factory-installed appearance and functionality tailored to each individual range hood model.

The information in this document is subject to change without notice, please contact your local reseller for updated details.



21700 Barton Road, Colton, California 92324 USA  
Phone Number: (800) 827-5950  
CavaliereHoods.com