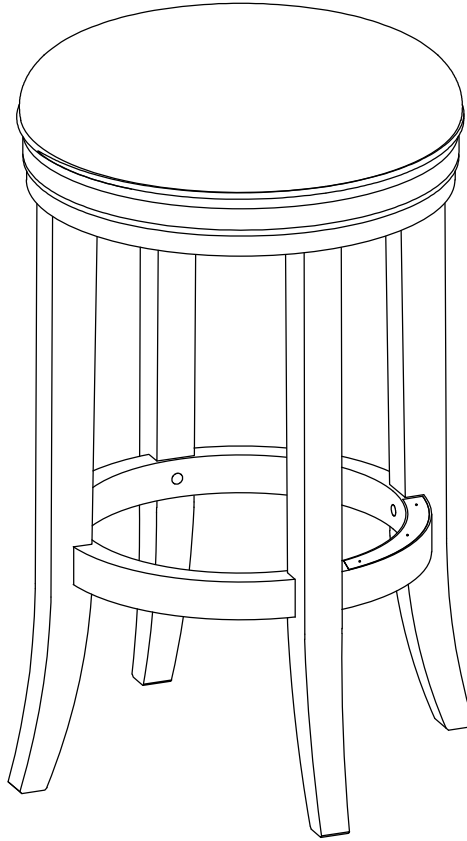


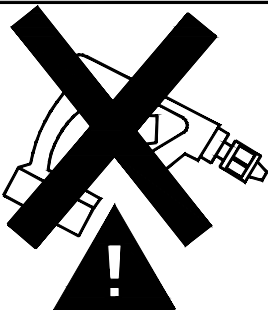
# ASSEMBLY INSTRUCTION

## Counter Height Stool Bar Height Stool

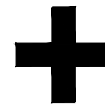
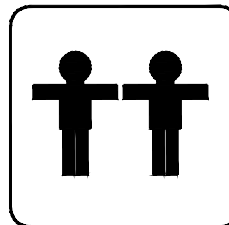


### REPLACEMENT PARTS

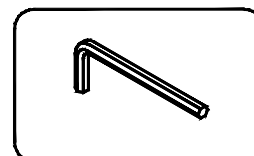
Please do not contact the company purchased from as we can help you faster.  
Order replacement parts and hardware at " [www.boltonfurniture.com](http://www.boltonfurniture.com) "



- . Use of power tool to assemble this product will invalidate any claim and damage this product making it unsafe !!!
- . Please assemble on a clean soft surface to avoid damage.

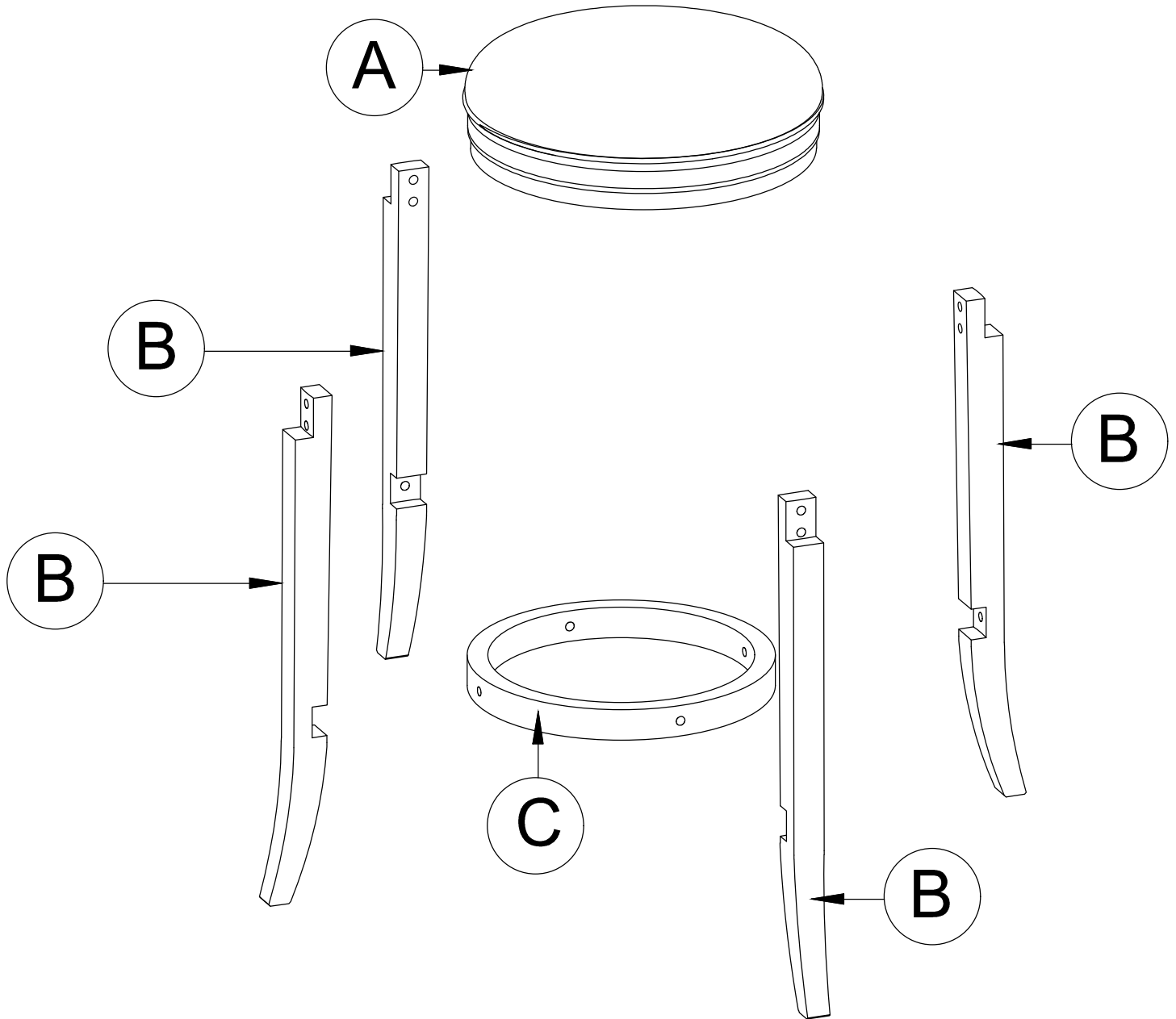


### Tools Required

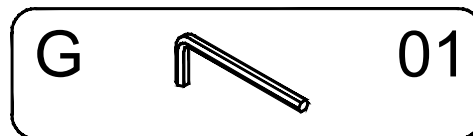
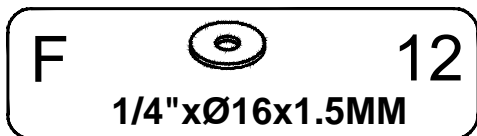
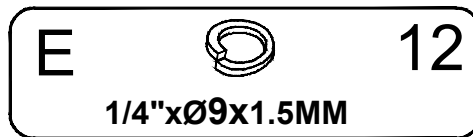
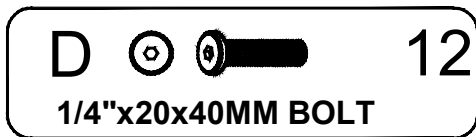


[www.boltonfurniture.com](http://www.boltonfurniture.com)





# Part list -Counter Height Stool/Bar Height Stool



**Identifying the hardware-Identify the hardware using the illustrations below**



# Step 01

D		12
E		12
F		12
G		01

