

Features

- 1-1/4" connection.
- Available with non-removable metal stopper.
- For use in non-overflow applications.
- For use with Spun Glass™ Vessels lavatory.



Codes/Standards


ASME A112.18.2/CSA B125.2

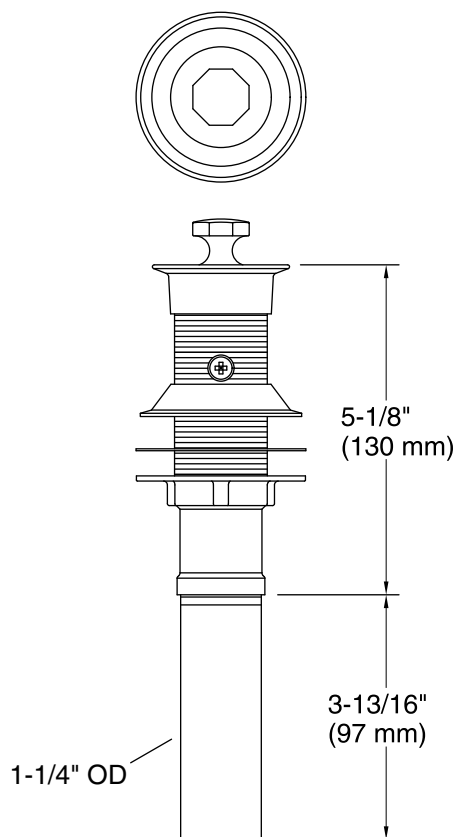
KOHLER® One-Year Limited Warranty

See website for detailed warranty information.

Available Colors/Finishes

Color tiles intended for reference only.

| Color | Code | Description |
|--|------|--------------------------------|
|  | CP | Polished Chrome |
|  | SN | Vibrant® Polished Nickel |
|  | AF | Vibrant® French Gold |
|  | PGD | Vibrant® Moderne Polished Gold |
|  | BGD | Vibrant® Moderne Brushed Gold |
|  | G | Brushed Chrome |
|  | BN | Vibrant® Brushed Nickel |
|  | BV | Vibrant® Brushed Bronze |
|  | 2BZ | Oil-Rubbed Bronze |
|  | TB | Satin Black |
|  | TT | Titanium |



Technical Information

All product dimensions are nominal.

Notes

Install this product according to the installation guide.