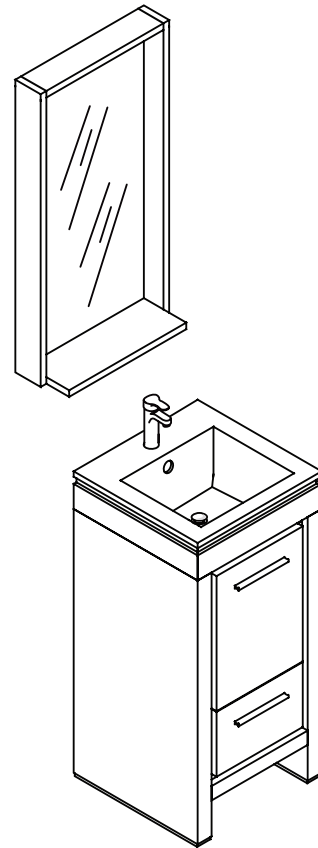
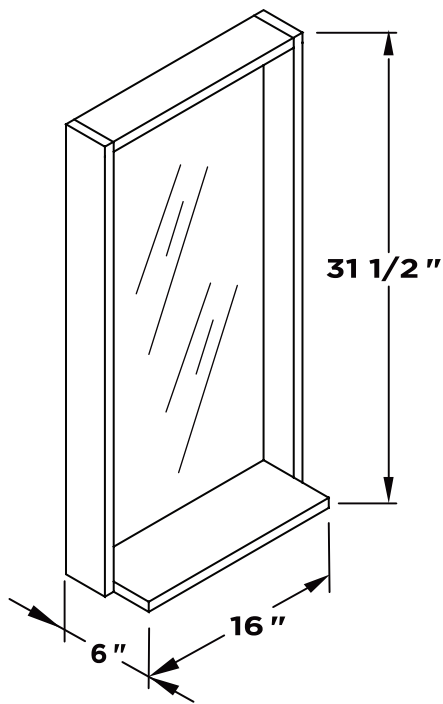
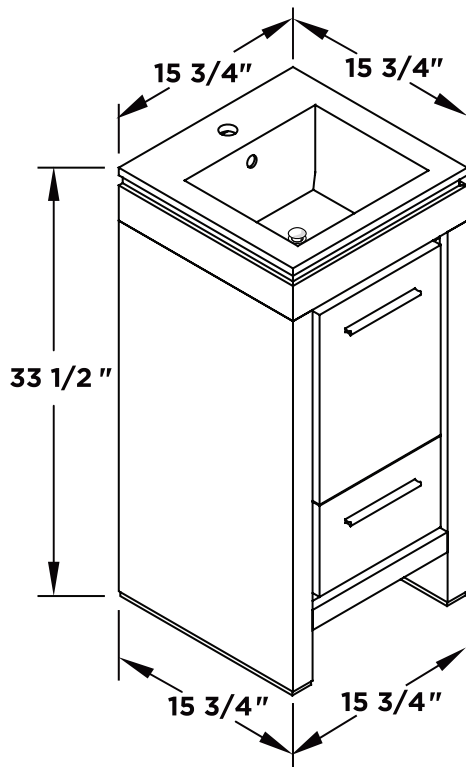


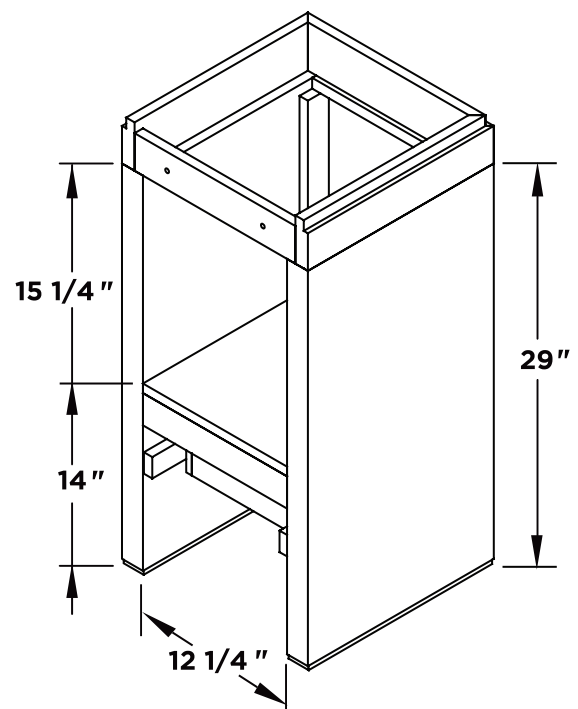
Mirror



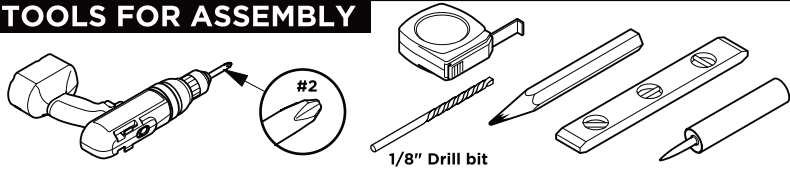
Vanity Front



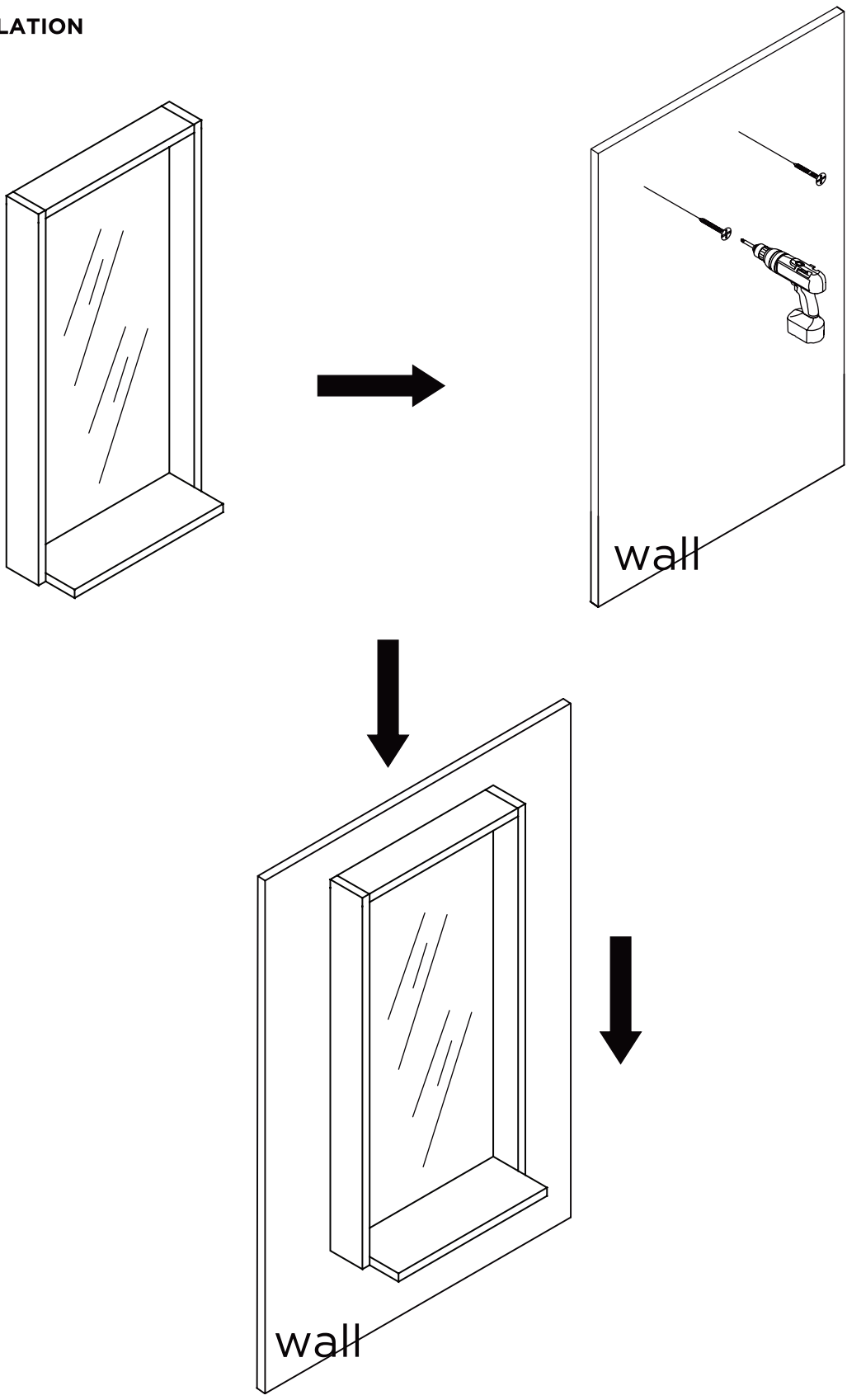
Vanity Back



**TOOLS FOR ASSEMBLY**

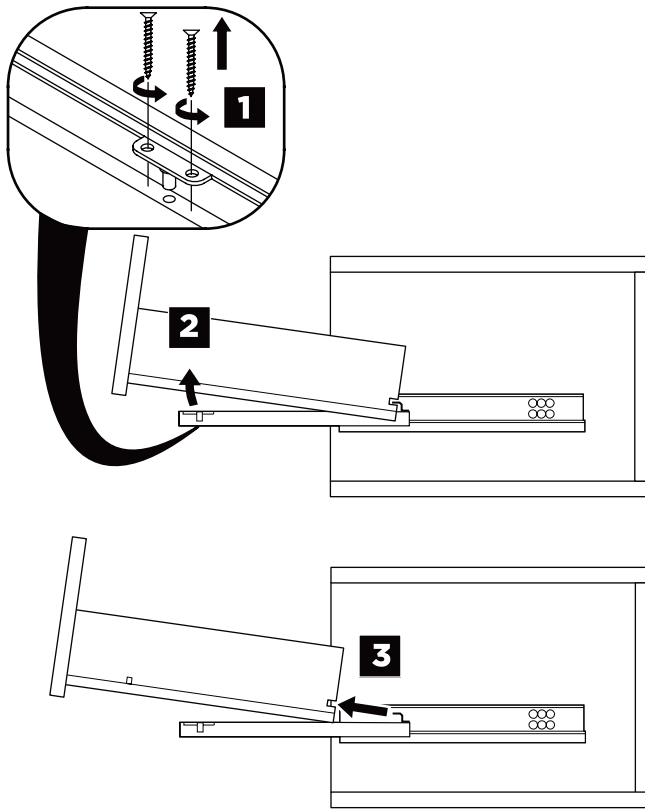


**MIRROR INSTALLATION**

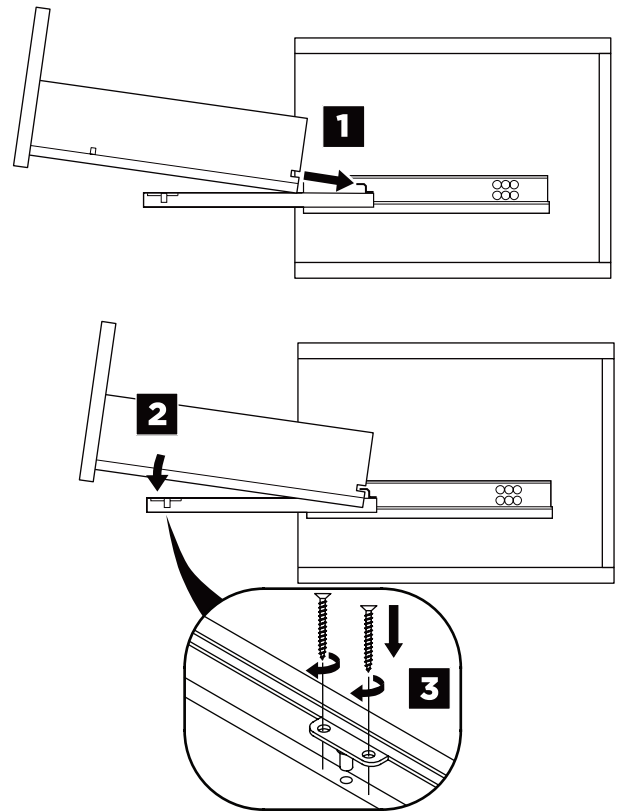


# DRAWER REMOVAL & INSTALLATION

## REMOVAL

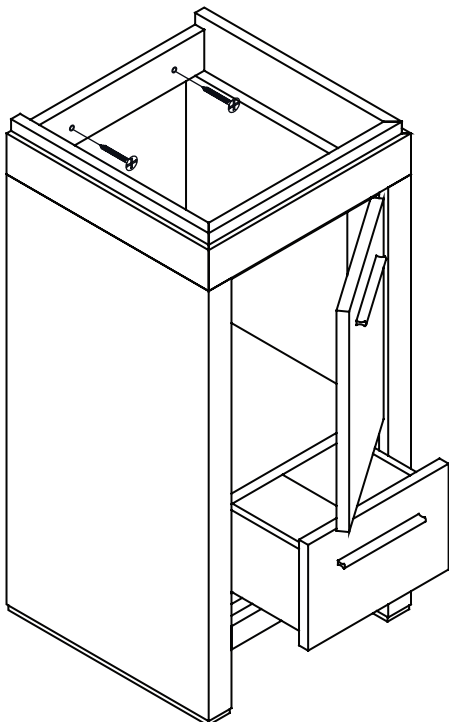


## INSTALLATION

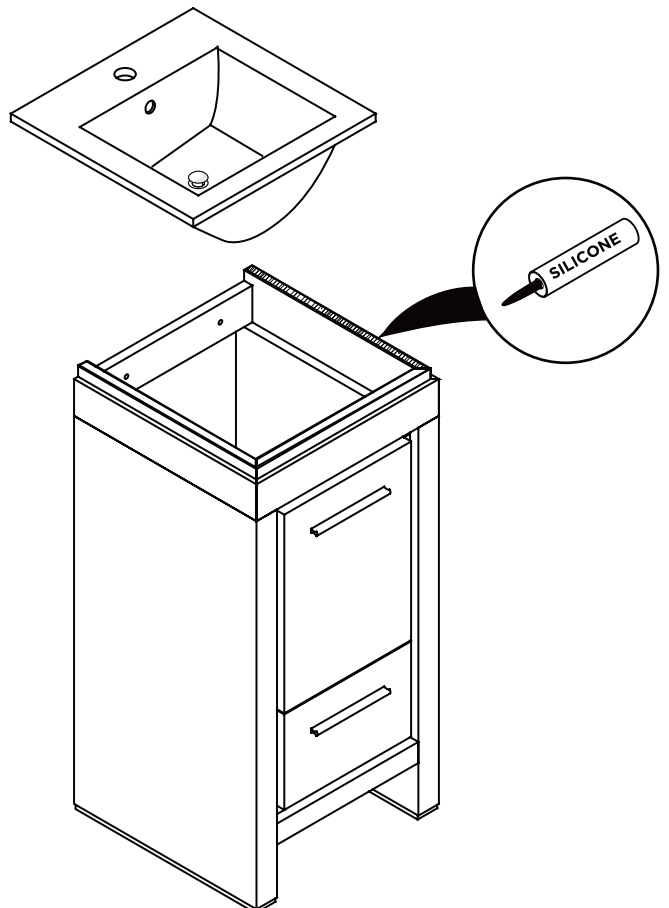


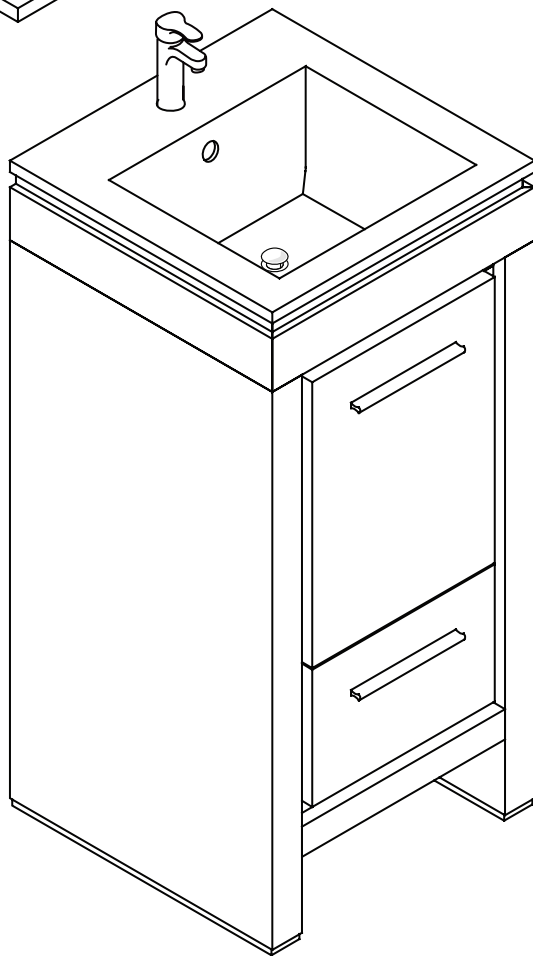
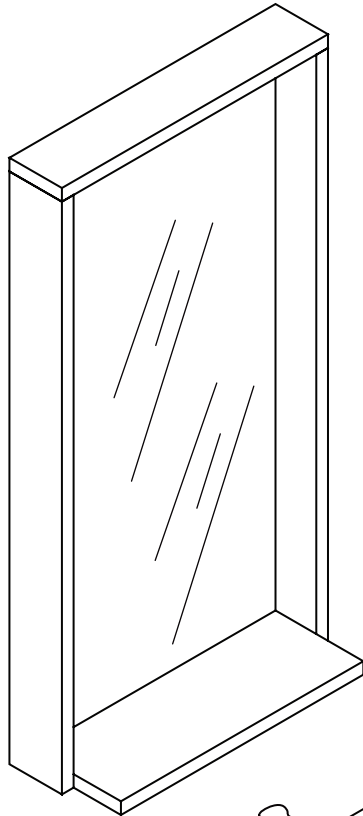
**1** Remove drawer and open the door

**IMPORTANT:** Consult an expert for the proper screws/bolts to use when attaching to various wall constructions. Screws provided **do not** attach to all wall construction types.



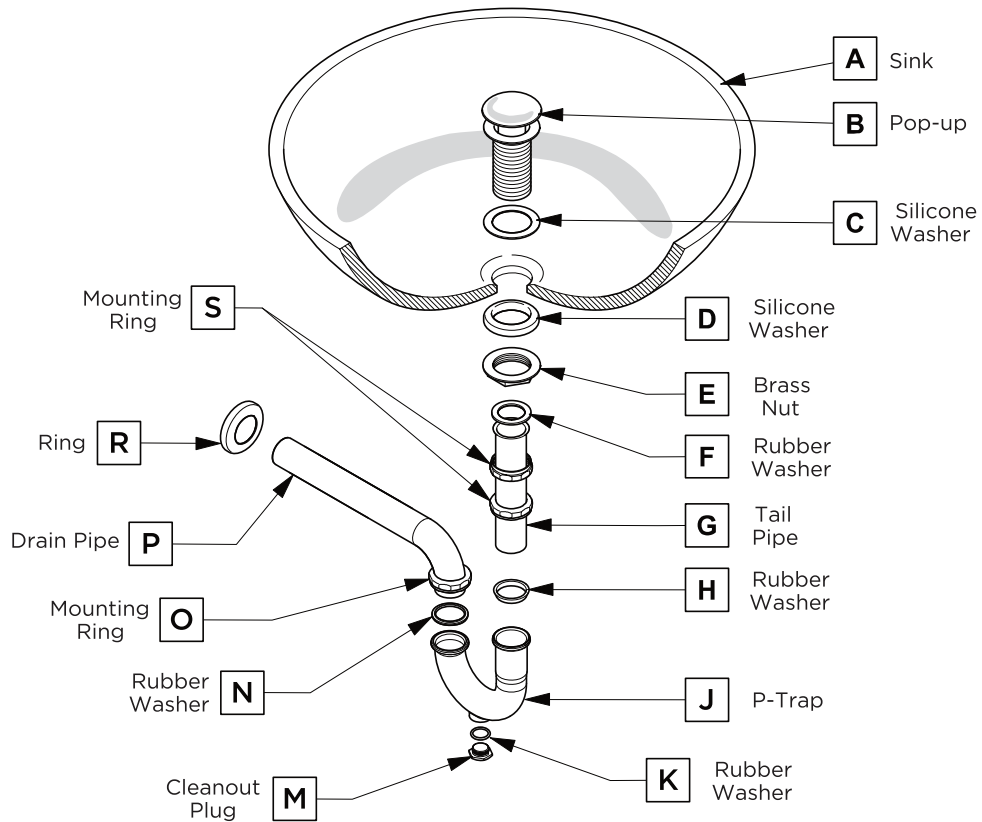
**2** Install top panel





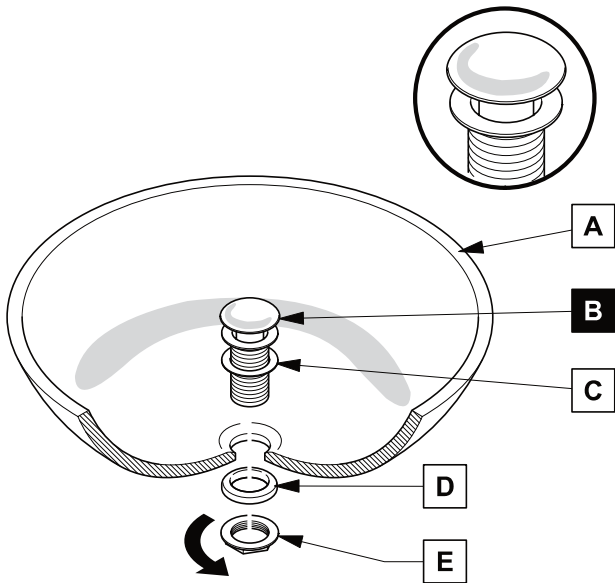
# P-TRAP AND POP-UP INSTALLATION INSTRUCTIONS

Your item may appear slightly different from the illustration



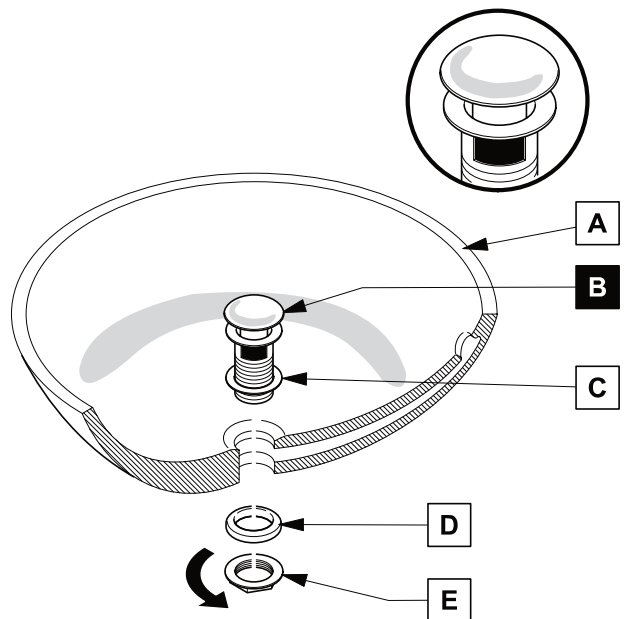
## POP-UP INSTALLATION

### FOR SINKS WITHOUT OVERFLOW



OR

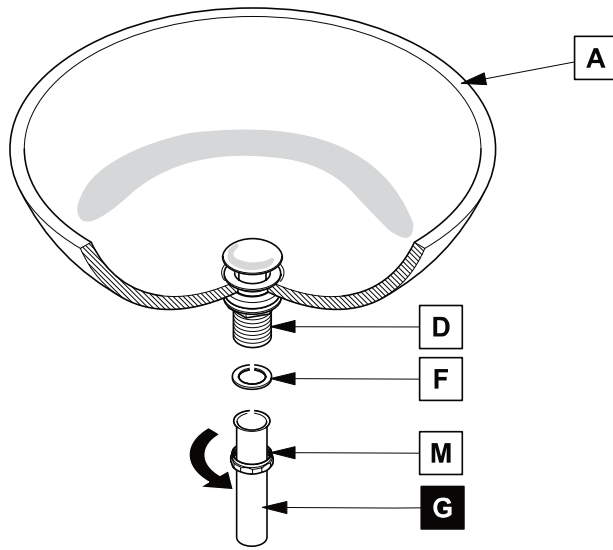
### FOR SINKS WITH OVERFLOW



# P-TRAP INSTALLATION

1

Install tail pipe (G)



2

Install p-trap (J)

