

Features

- Made from premium materials that withstand high-volume usage.
- 20" (508 mm) x 18" (457 mm).
- 4" center drilling.
- Drilled for concealed arm carrier.
- With sealed overflow for commercial and hospitals jobs.

Material

- Vitreous china.

Installation

- Wall-mount.

Recommended Products/Accessories

K-8998 P-Trap
K-23726 Drain treatment
K-23725 Cast iron cleaner

Included Components

Additional Components:
Hanger(s)



ADA

CSA B651

OBC

Codes/Standards

ASME A112.19.2/CSA B45.1
All applicable US Federal and State material regulations
ADA
ICC/ANSI A117.1
CSA B651
OBC


KOHLER® One-Year Limited Warranty

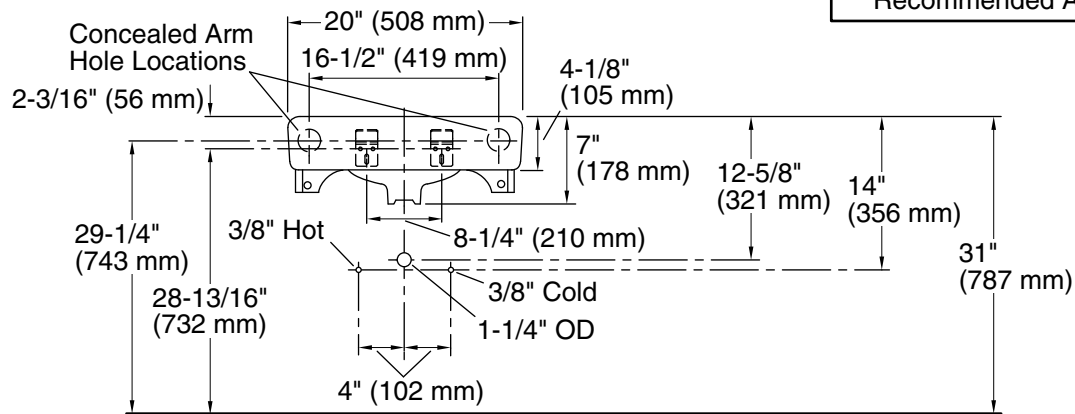
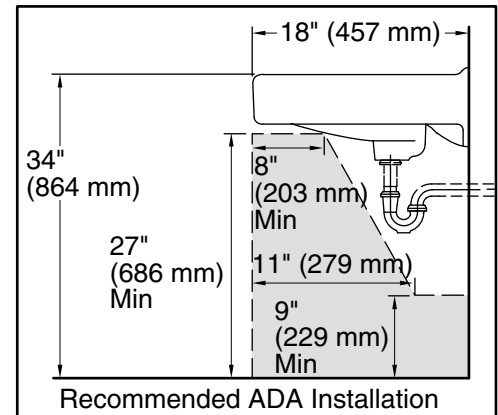
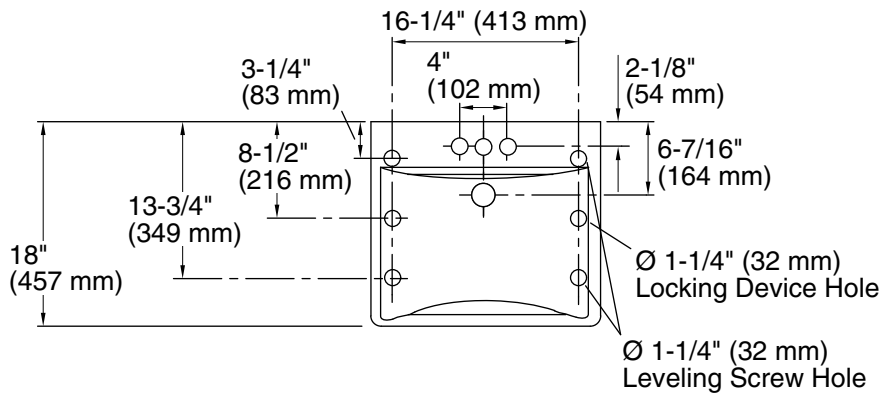
See website for detailed warranty information.

Available Colors/Finishes

Color tiles intended for reference only.

Color	Code	Description
-------	------	-------------

	0	White
--	---	-------



Standard Installation

Technical Information

All product dimensions are nominal.

Bowl configuration: Single
Installation: Wall-mount
Bowl area (Center): Length: 18" (457 mm)
Width: 13" (330 mm)
With overflow: Yes
Water depth: 4-7/8" (124 mm)

Number of deck holes: 3
Faucet hole spacing: 4" (102 mm)
Faucet hole(s): 1-3/8" (35 mm)
Soap/Lotion hole: 1-1/4" (32 mm)
Drain hole: 1-3/4" (44 mm)

Notes

Install this product according to the installation instructions.

ADA, OBC, CSA B651 compliant when installed to the specific requirements of these regulations.