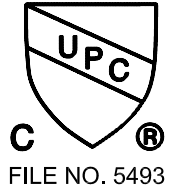




INSTALLATION MANUAL

SINGLE-LEVER TALL LAVATORY FAUCET

ITEM NO.: **AB1129**

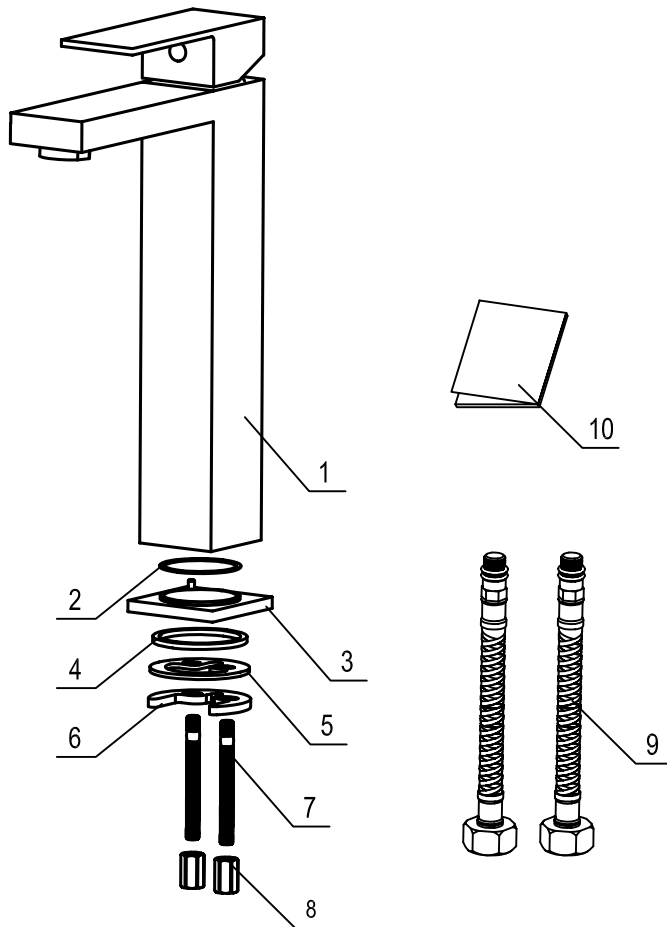


※ Components Checking

Please double-check the components list hereinafter and contact our company or our distributor for any unconformity.

Remarks:

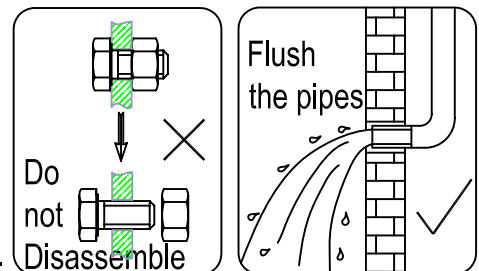
- 1, Without affecting their performing, components may be changed without further notice.
- 2, Drawings for reference only. Product size & shape refer to actual faucet.



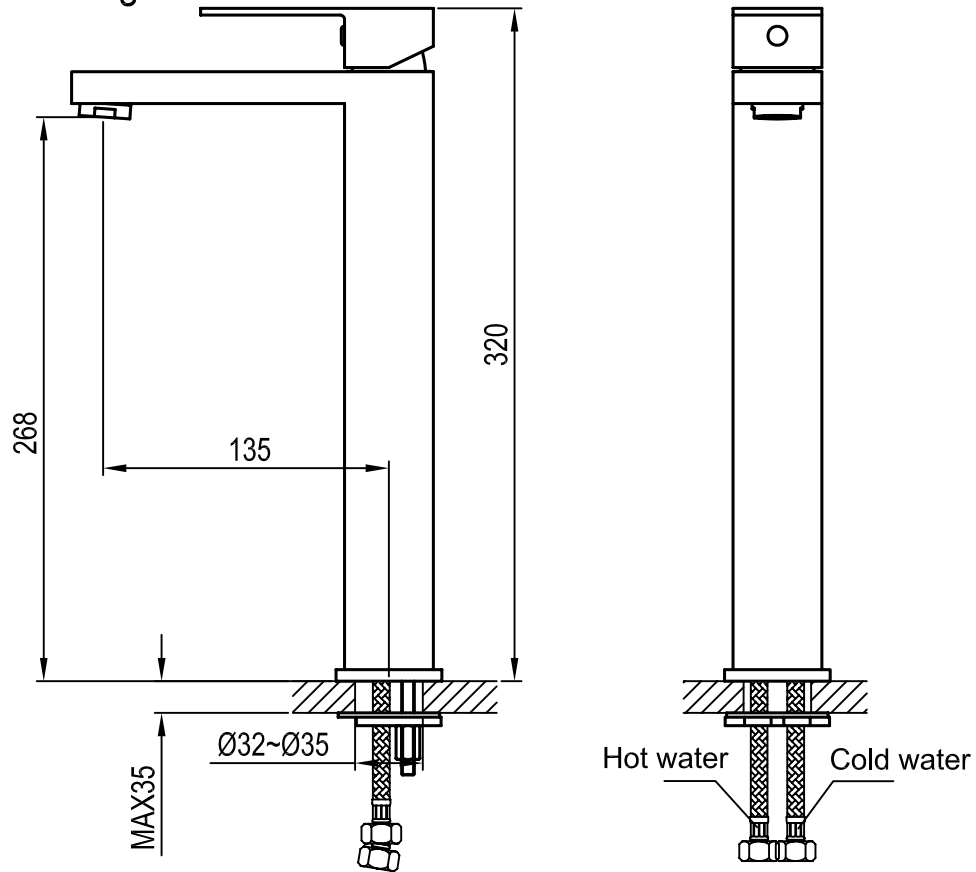
The accessory list	QTY
1.Main body	1
2.Washer	1
3.Basse	1
4.Gasket	1
5.Rubber washer	1
6.Metal washer	1
7.Rob	2
8.Lock nut	2
9.Water supply hose	2
10.Manual	1

※ Installation Instructions

- ☆ Do not disassemble the main body, as it has been installed & commissioned correctly & precisely before leaving the factory.
- ☆ To avoid the faucet from jamming, do flush the water pipe before installation.
- ☆ After installation, make sure every joint safely sealed & no leaking.
- ☆ The nominal water pressure is 0.05 -1.0Mpa (including cold & hot water pressure), suitable for water temperature : 4°C - 90°C.
- ☆ Make sure to connect the hot/cold inlet pipe correctly, if standing in front, hot water pipe connecting to the left & cold water pipe connecting to the right.



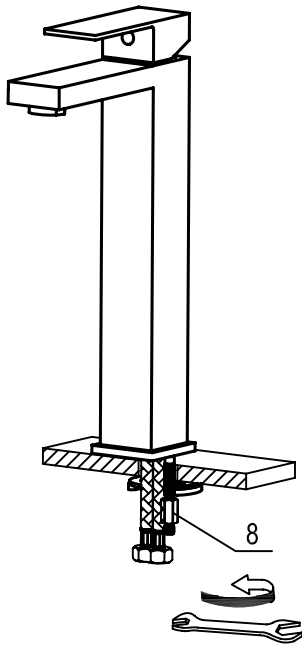
※ Dimension Drawings



※ Installation Procedures

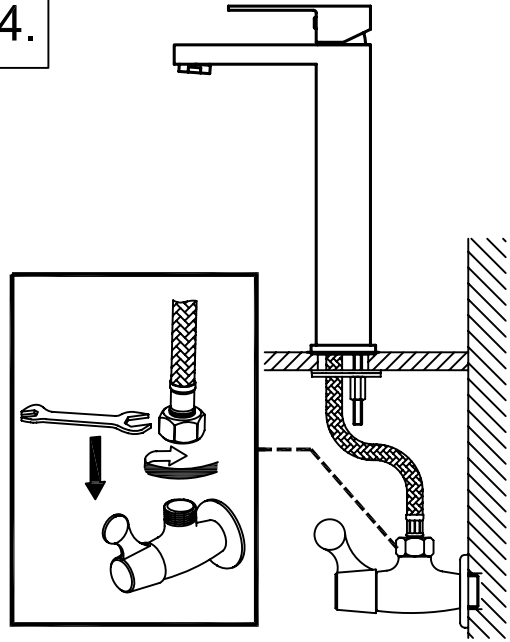
<p>1.</p>	<p>2.</p>
<p>1. Make a hole of $\text{Ø}32\sim\text{Ø}35$ ($\text{Ø}1\frac{1}{4}\sim\text{Ø}1\frac{3}{8}$) on the basin deck, screw off the lock nut (8) from the long rod (7), screw the long rod and water supply hose to the body (1), and tighten with wrench. Put whole faucet into the hole with the washer (2), base (3) and gasket (4) between basin deck and faucet.</p>	<p>2. Fixing the faucet from downside the basin deck, with rubber washer (5), metal gasket (6) and lock nut (8).</p>

3.



3. After adjusting the main body to proper direction, tightening the nut (6) with wrench;

4.

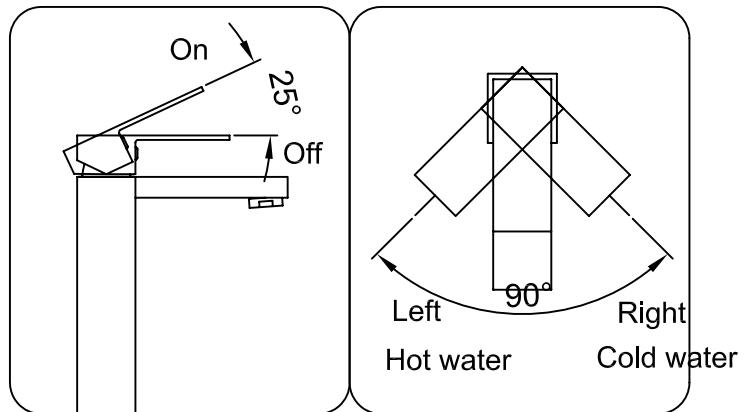


4. Connect the water supply hose to the angle valves with fine sealing.

※ Usage:

☆ How to operate the handle

- 1) Raise the handle lever up for opening water, push down to close;
- 2) Turn the handle lever to the left to increase hot water flow to higher water temperature, and lower the water temperature by operating reversely.



※ Cleaning & Maintenance

☆ To keep the product clean & shining, follow the steps as below:

1. Flush with clean water & dry with soft cloth only;
2. If any dirt, clean with soft liquid or transparent glass detergent.
3. Do not use any scrubbing detergent, polisher, sand-cloth, paper tissue or scraper.
4. Do not use acid detergent, indissolvable grain-like detergent or soap.
5. Circumrotate the aerator off and clean it when necessary.



※ This installation instruction is only for your reference, the final right to explain & to revise it belongs to us.