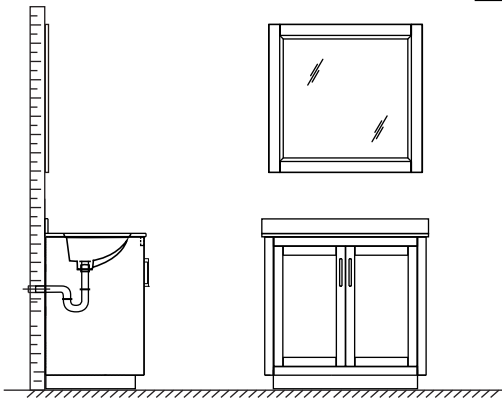
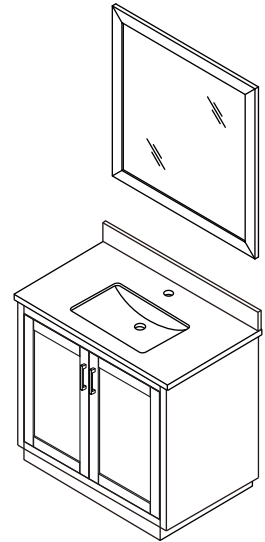


# WYNDHAM COLLECTION

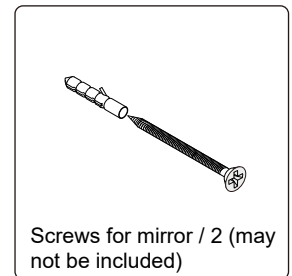
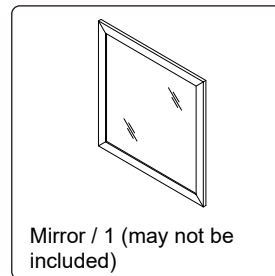
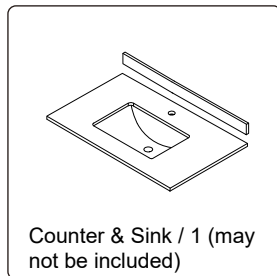
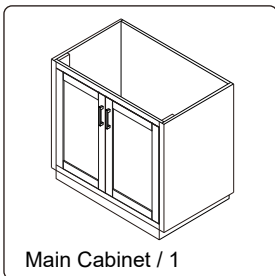


- Prior to installation please check received items against the "Packing List". Please report any missing items to your retailer immediately.
- Protect all surfaces from sharp objects, high heat sources, direct prolonged sunlight and chemical hazards.
- Professional installation recommended.
- Please install on a level surface. If minor door and drawer alignment is required, please follow the easy directions below.

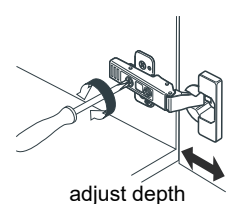
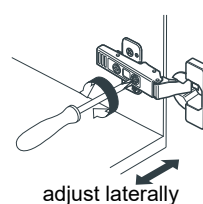
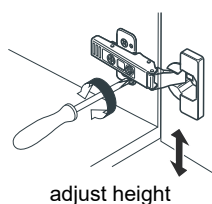
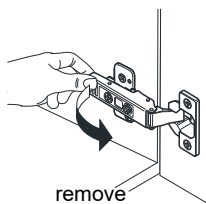
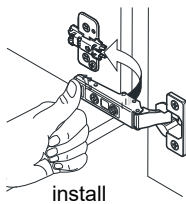


## PACKING LIST

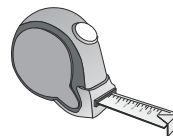
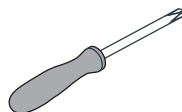
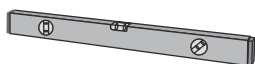
(Not all components may be included, depending upon your purchase)



## HOW TO ADJUST HINGES (if required)



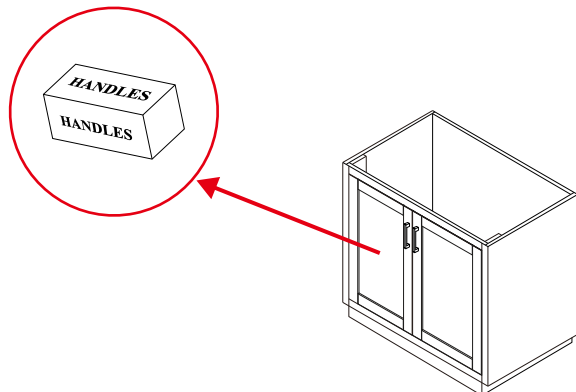
## REQUIRED TOOLS NOT IN BOX



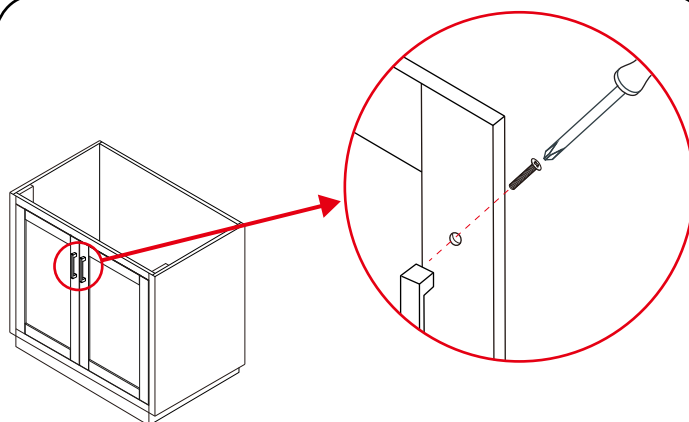
# WC-2929-36-SGL Installation Guide

# WYNDHAM COLLECTION

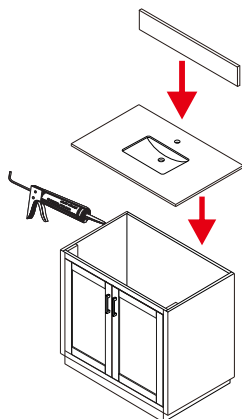
## INSTALLATION INSTRUCTIONS



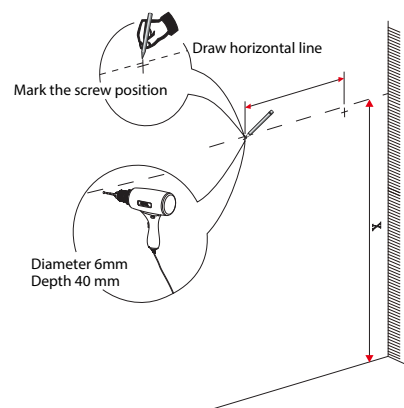
- ① The handles are safely stored for transport in a box inside of the cabinet. Look inside the vanity for the box with your handles.



- ② Unpack the handles and install them on the vanity. Do not over tighten when attaching.



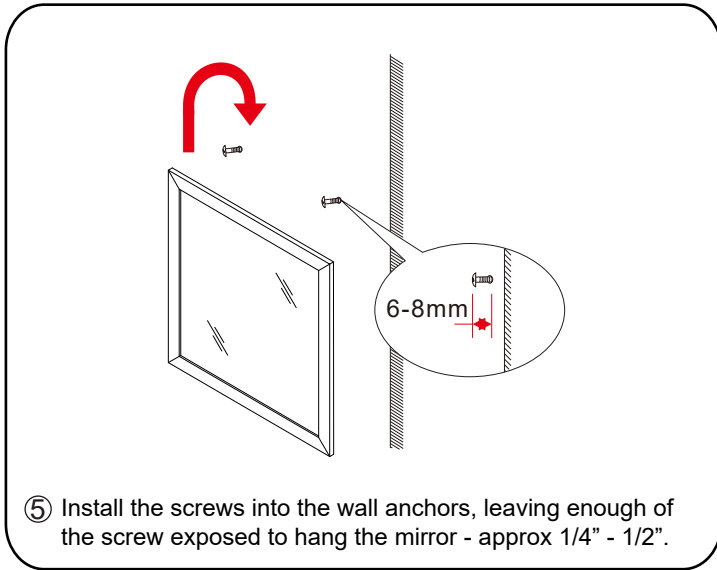
- ③ Install the counter. Seal around the top of the cabinet with clear silicone sealant. Do not over apply. Allow to dry 24 hours for proper curing.



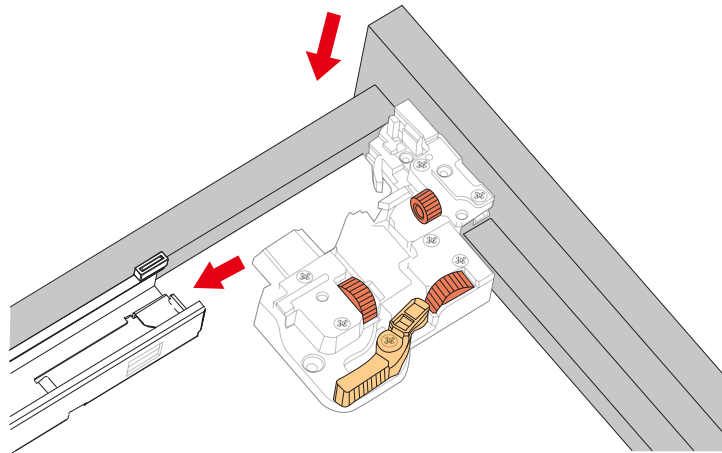
- ④ Install the mirror: use a pencil to mark the placement of the screw holes on the wall, drill the holes and insert the plastic wall anchors.

WC-2929-36-SGL  
Installation Guide

# WYNDHAM COLLECTION



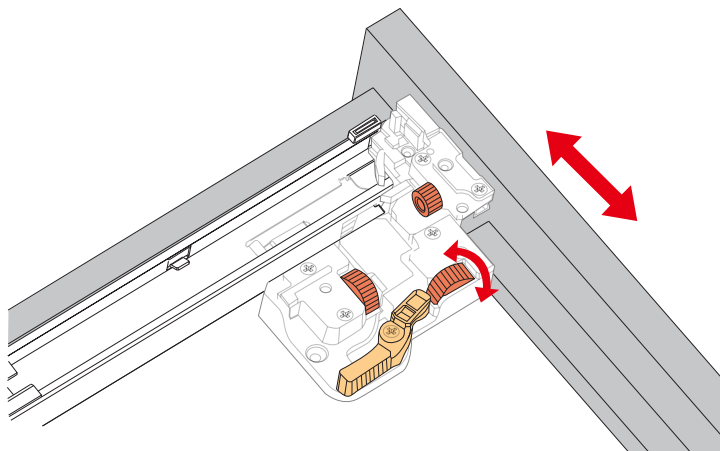
## HOW TO ADJUST DRAWER SLIDES (if required)



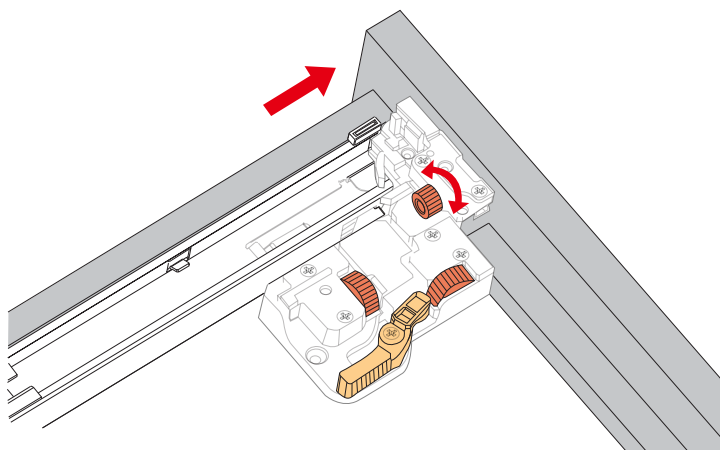
Up and Down Adjustment

# WC-2929-36-SGL Installation Guide

# WYNDHAM COLLECTION



Side Adjustment



Depth Adjustment



Scan the QR code with your phone to watch detailed video instructions or visit [www.wyndhamcollection.com/3dslides](http://www.wyndhamcollection.com/3dslides)

WC-2929-36-SGL  
Installation Guide