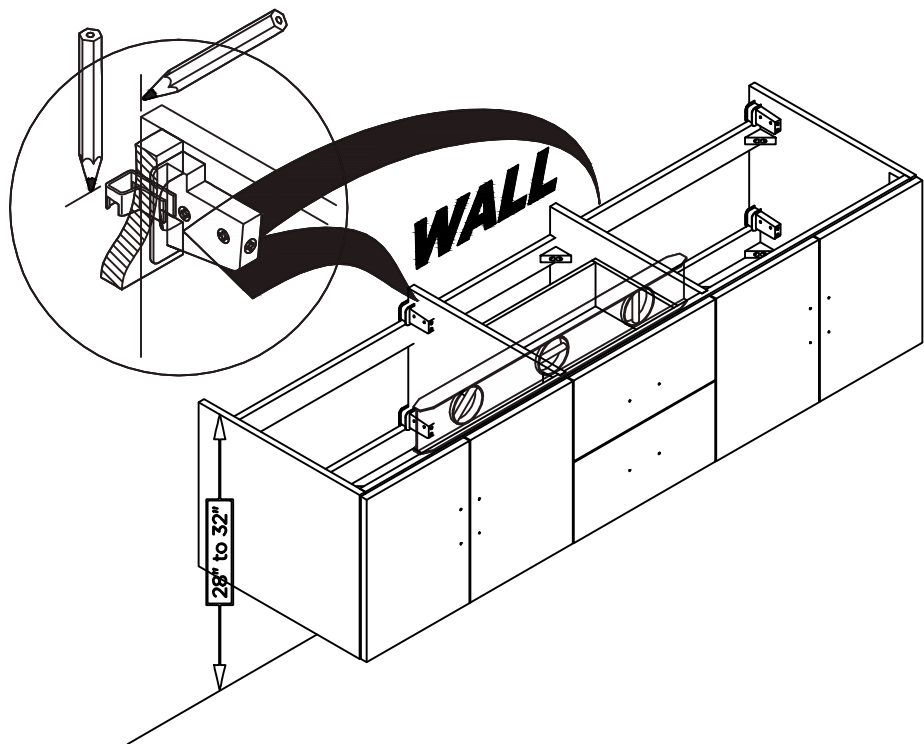
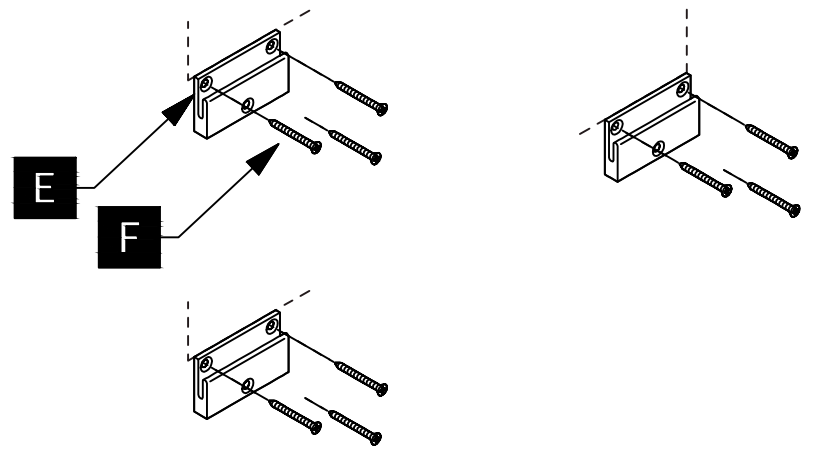
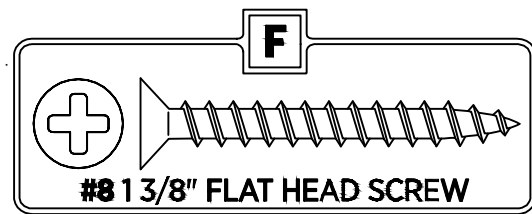


**1** Place cabinet (D) in the designated location and mark bracket position on the wall.

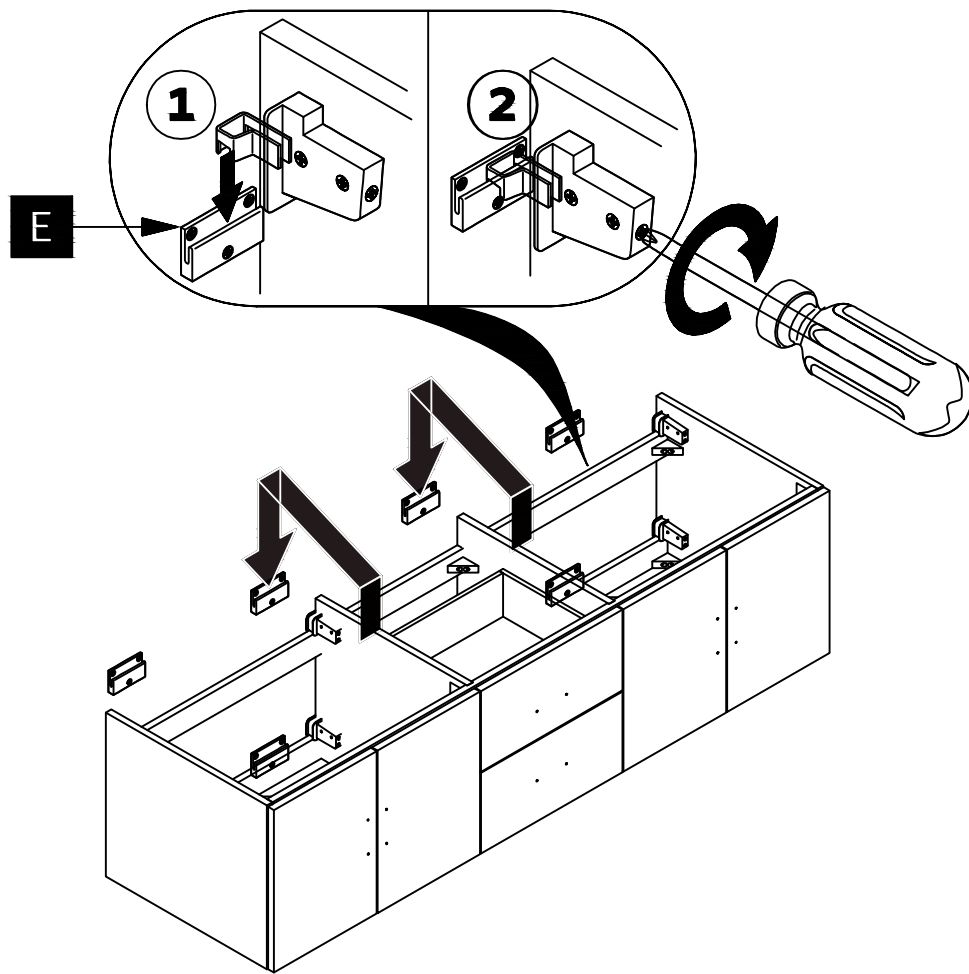


**2** Attach the wall brackets (E) to the wall with the screws (F).

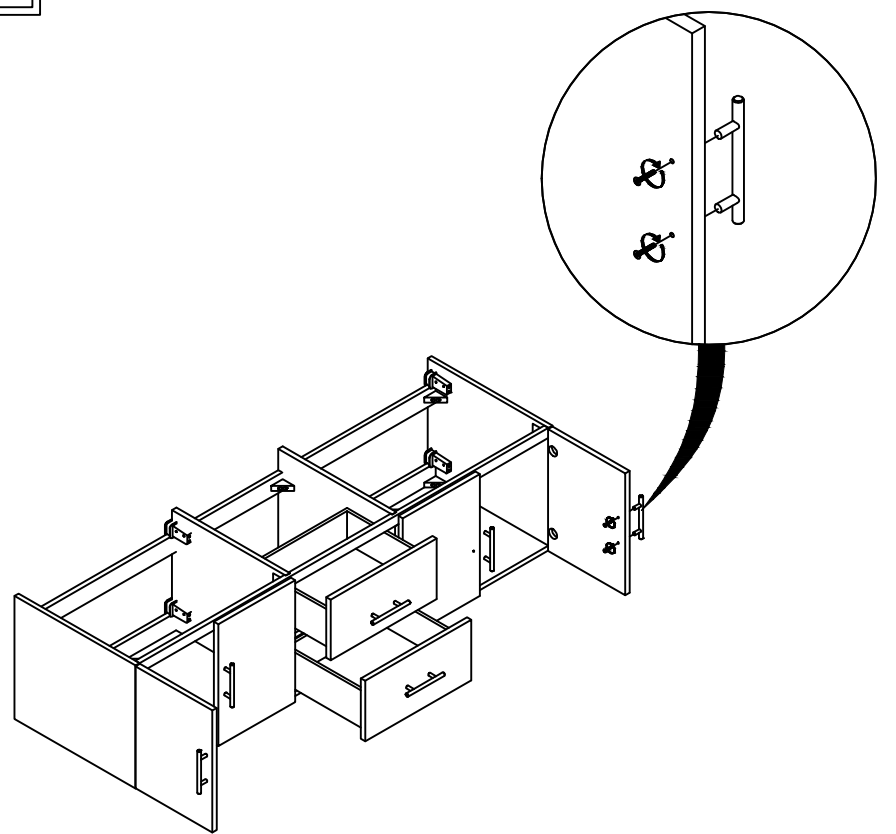


**IMPORTANT:** Consult an expert for the proper screws/bolts to use when attaching to various constructions. Screws provided do not attach to all wall construction types. Anchors are not required if brackets are installed in stud.

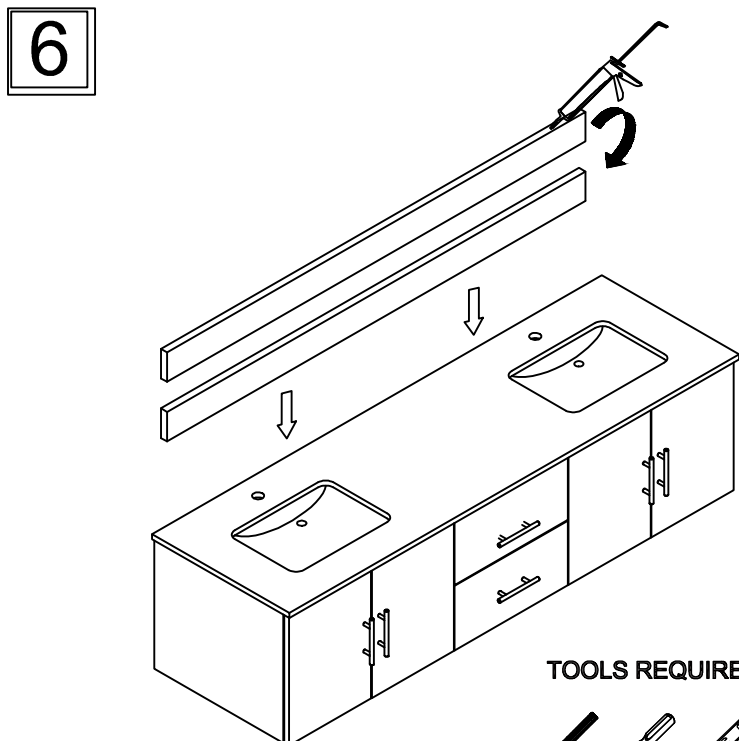
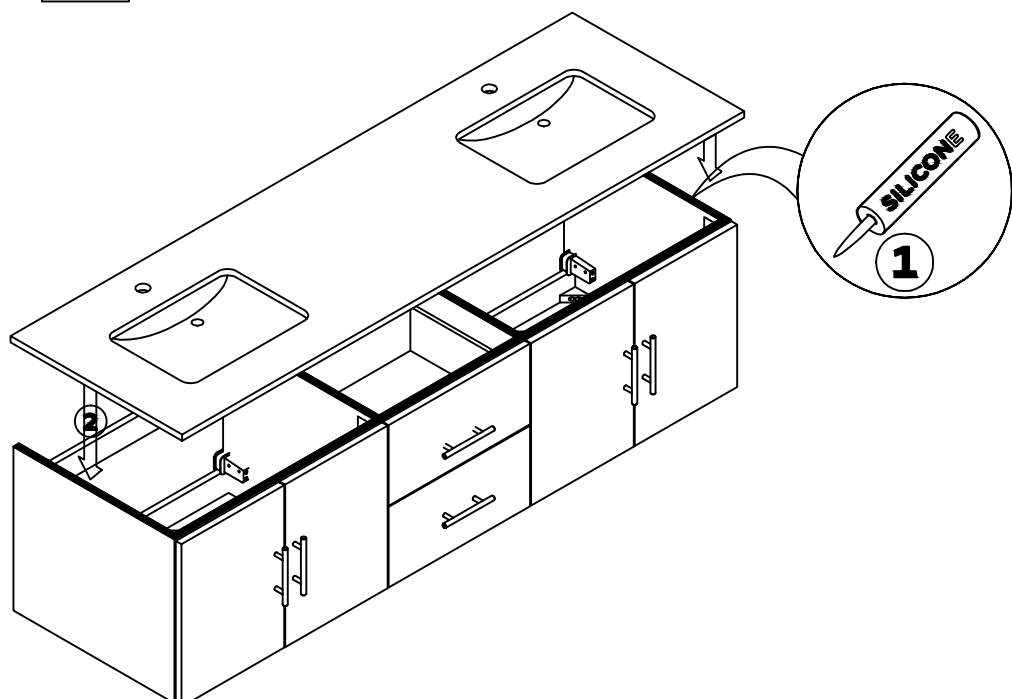
**3** Apply a bead of silicone and hang the cabinet (D) on the brackets.



**4** Attach the handles to the cabinet.



**5** Put a bead of silicone on the top of the cabinet (G) then place sink (H) on the top of it.

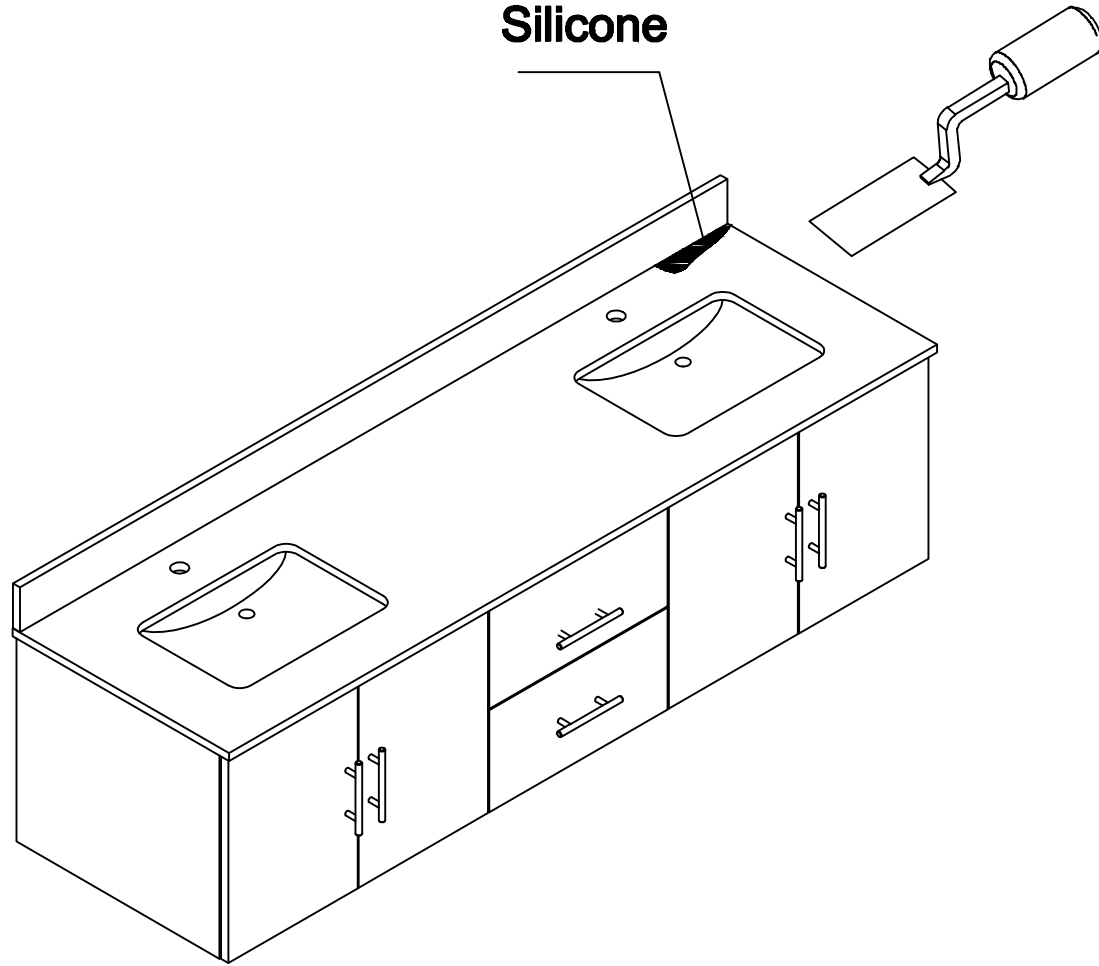


**TOOLS REQUIRED (not supplied)**



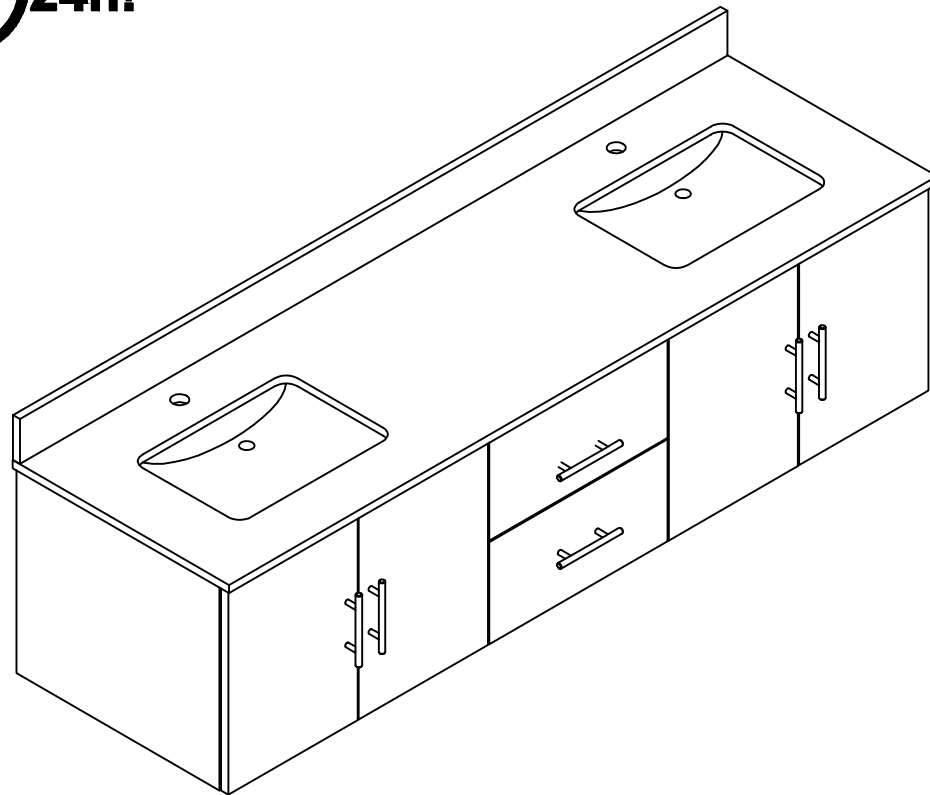
7

Silicone



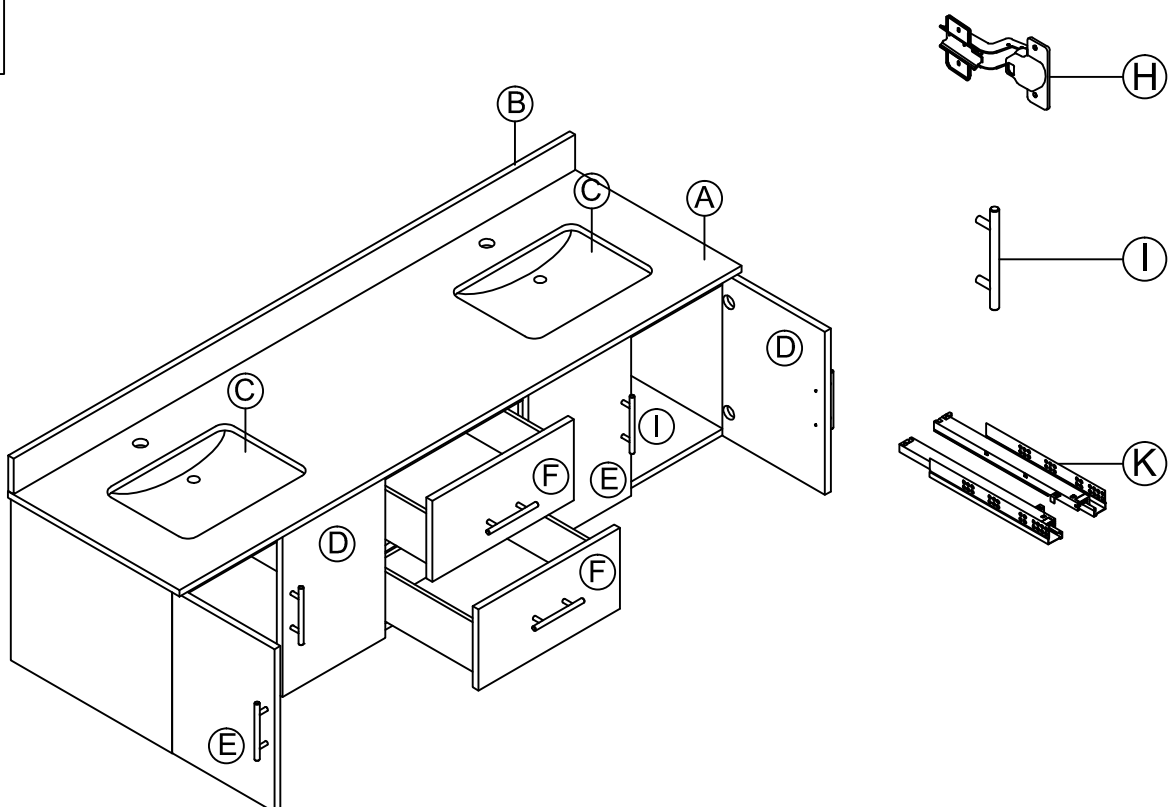
INSTALLATION

8



INSTALLATION

9



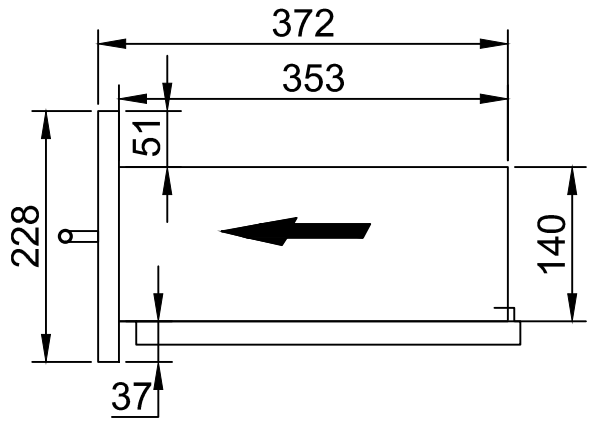
PART#	DESCRIPTION	QUANTITY
A	Countertop	1
B	Backsplash	1
C	Basin	2
D	Door (right)	2
E	Door (left)	2
F	Drawer	2
H	Hinge (door)	8
I	handle	6
K	Drawer glides	2

PART LIST

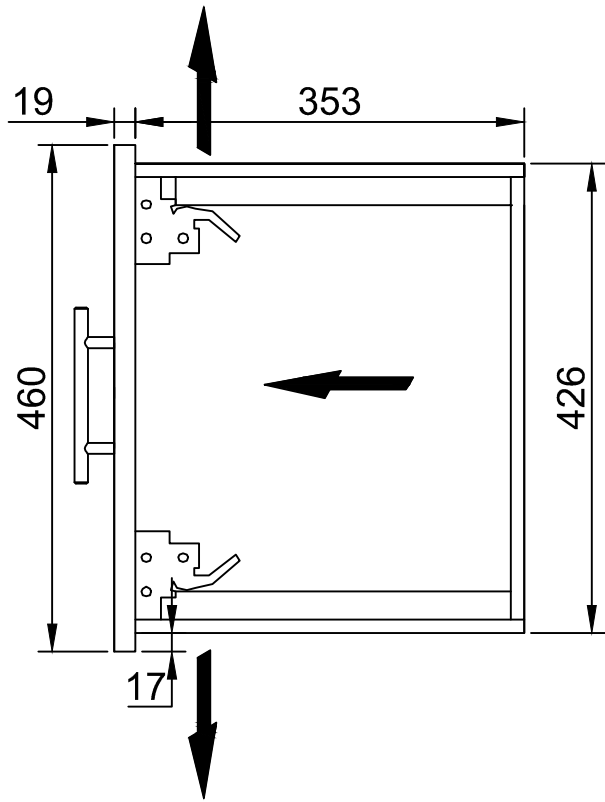
REMOVE

INSTALL

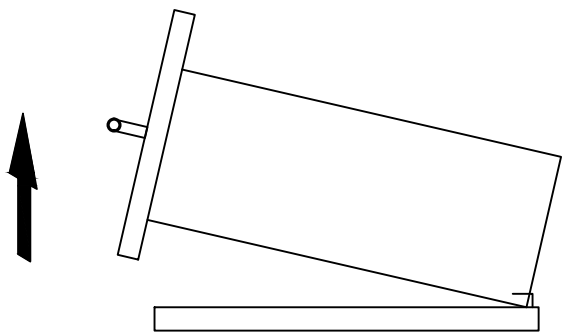
1



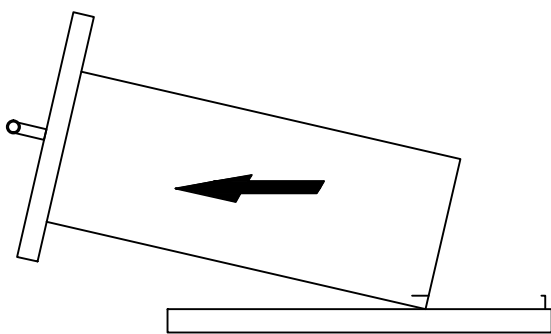
2



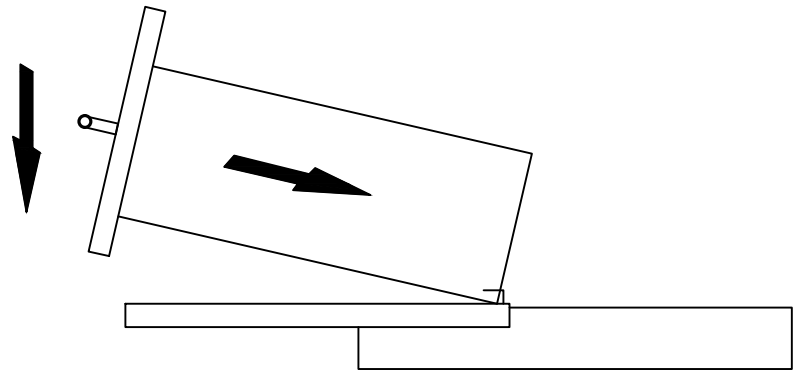
3



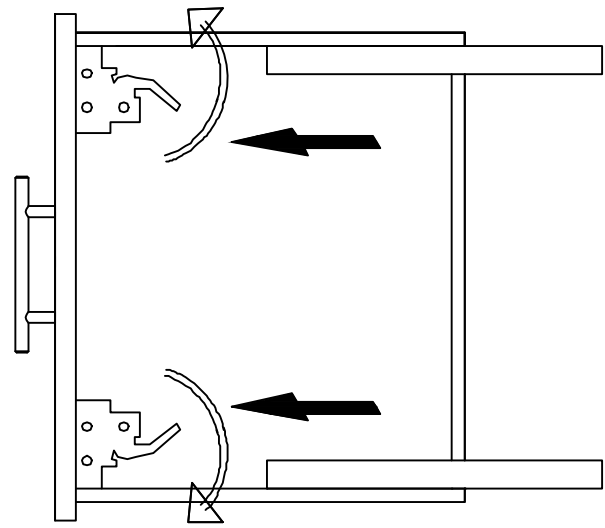
4



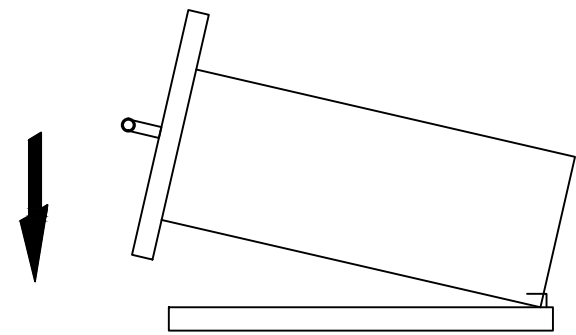
1



2



3



4

