

veradek ——— outdoor

CORTEN SERIES

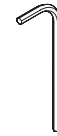
pedestal instructions



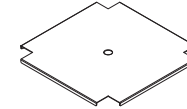
parts and components



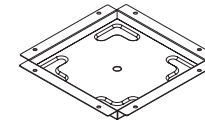
all sizes



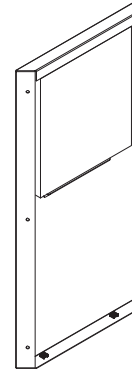
allen key
x1



shelf
x1



bottom panel
x1



side panels
x4

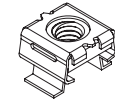
pedestal
short



wing nuts
x12



bolts
x20



floating nuts
x8

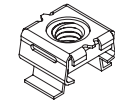
pedestal
tall



wing nuts
x16

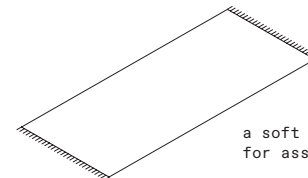


bolts
x24



floating nuts
x8

not included



a soft working surface
for assembling your items

step 1



side panels x4



Floating nuts x8

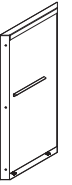
step 2



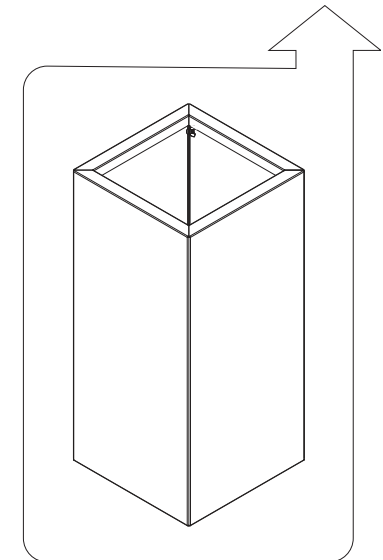
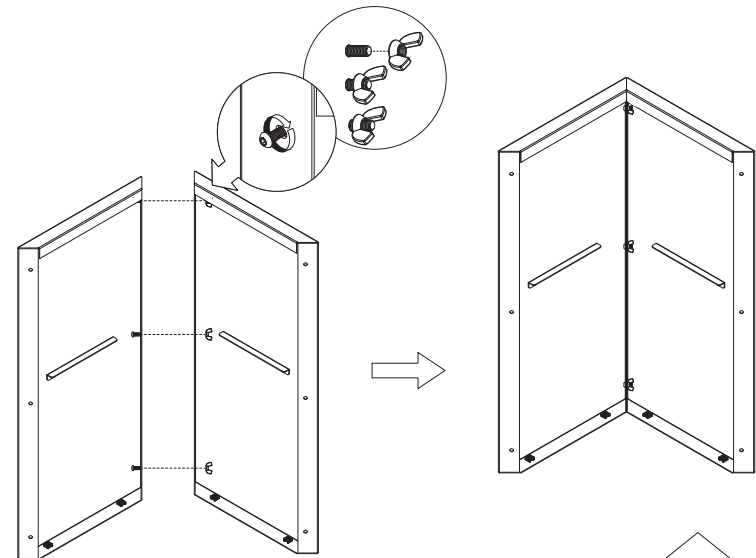
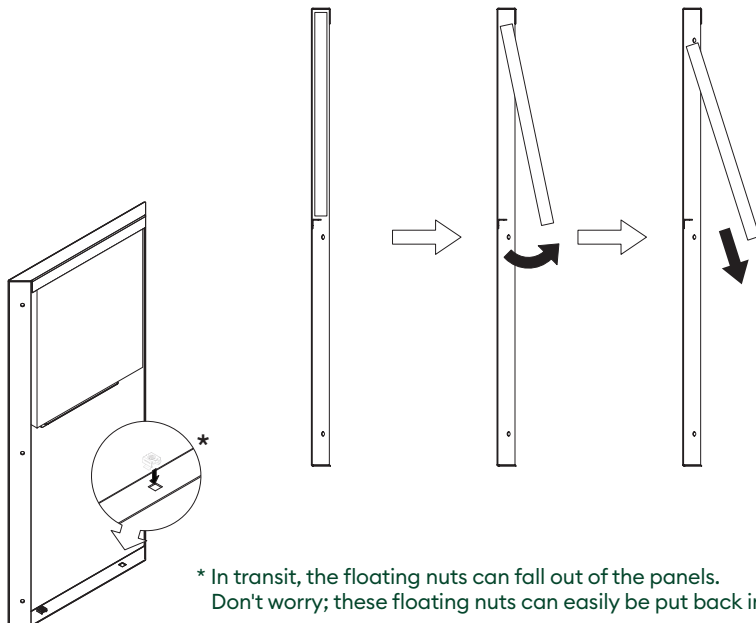
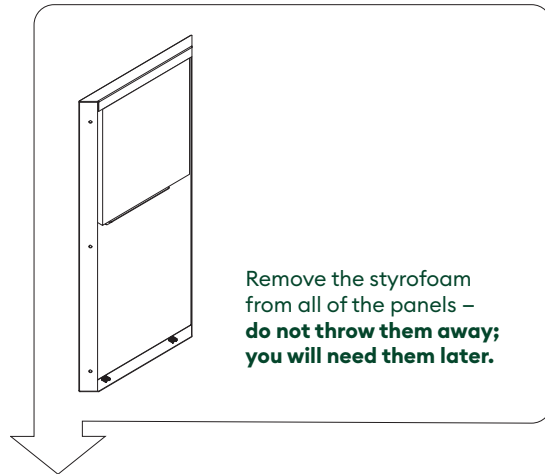
wing nuts x12 (short)
x16 (tall)



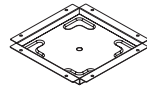
bolts x12 (short)
x16 (tall)



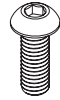
side panels x4



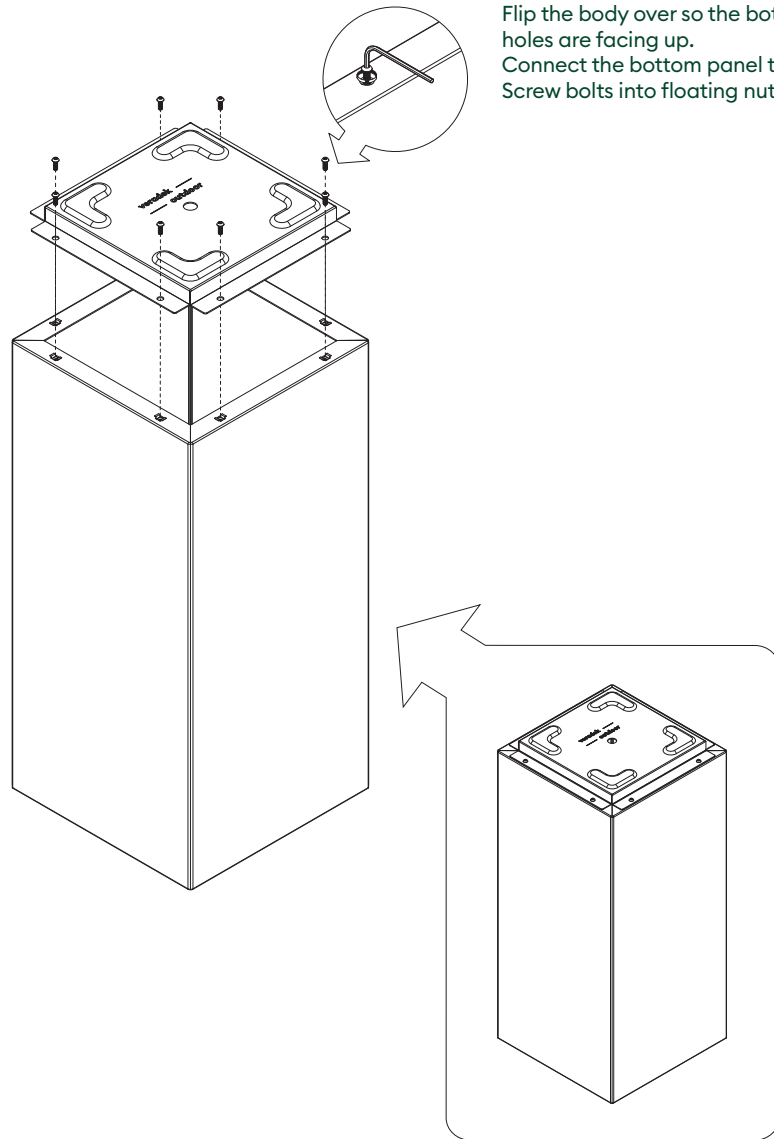
step 3



bottom panel x1



bolts x8



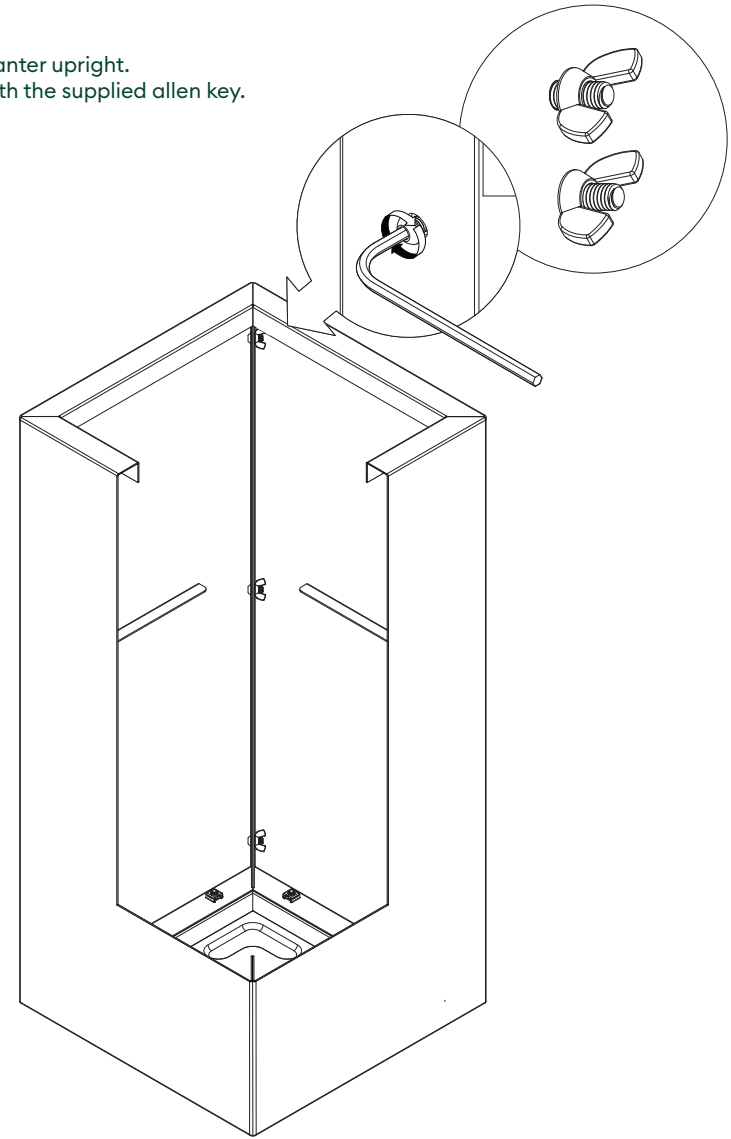
Flip the body over so the bottom panel holes are facing up.
Connect the bottom panel to the main body.
Screw bolts into floating nuts and tighten.

step 4



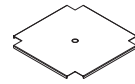
allen key x1

Flip the planter upright.
Tighten with the supplied allen key.



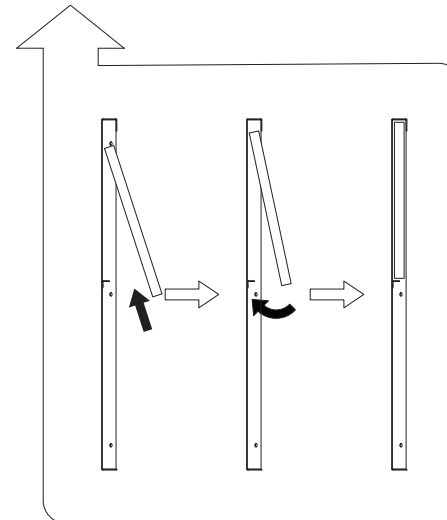
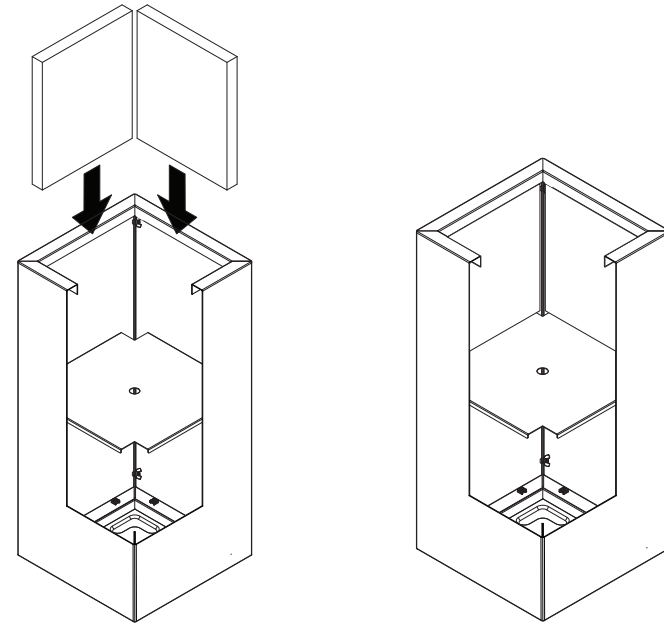
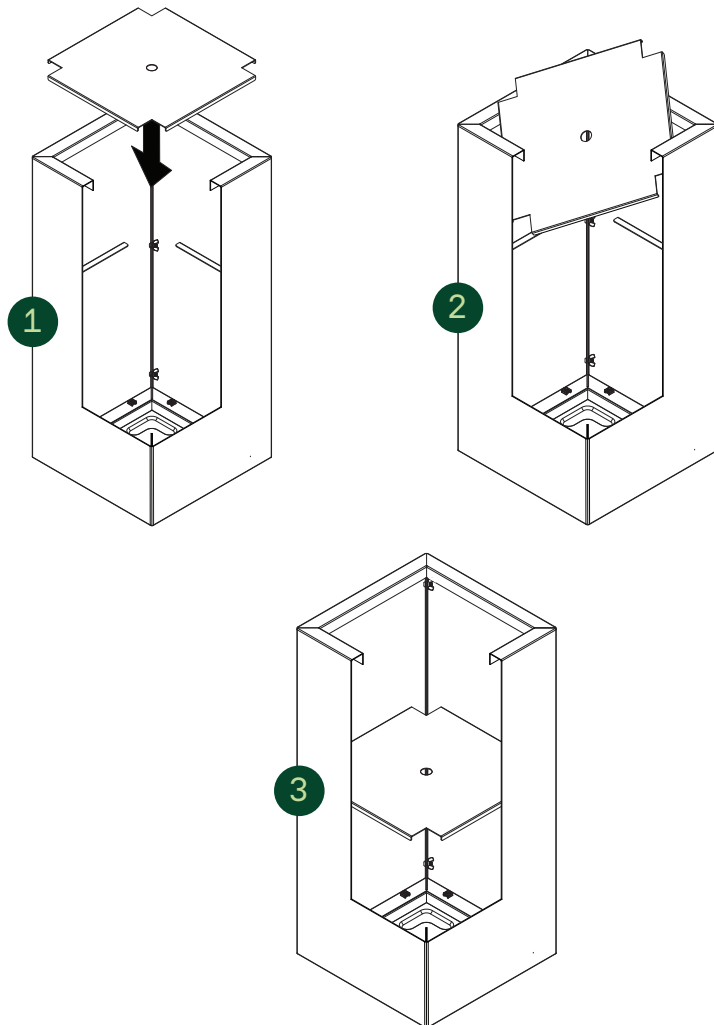
step 5

step 6



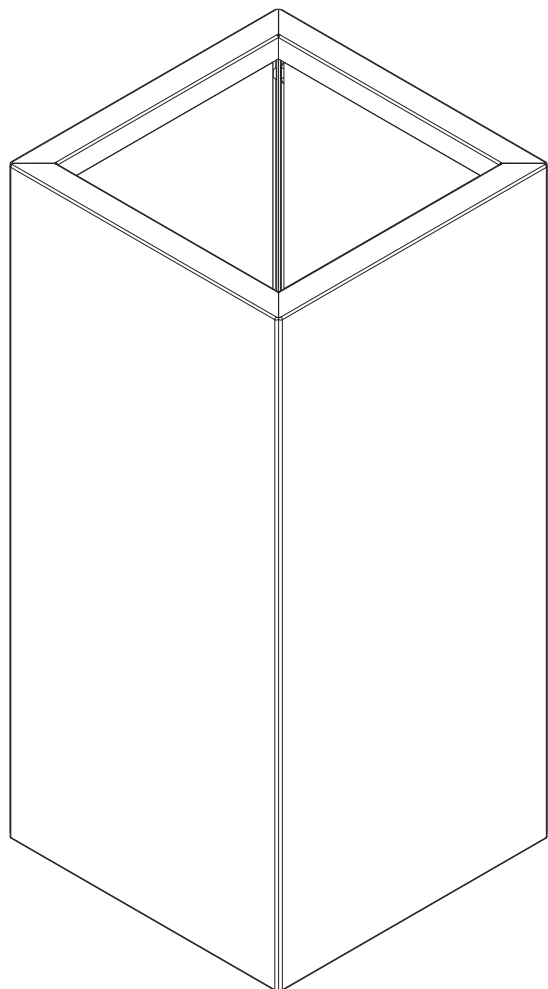
shelf x1

Insert shelf into planter.



You can now place the styrofoam back into the panels. It will act as insulation against extreme heat and cold.

complete



share your outdoor space with [#MYVERADEK](#)

meet the *family*

Hi! We're the Corten Steel Planter Series, and we make warming up your space easy. With clean, simple corners coated in rich, rusted hues, we add a cozy touch that makes your outdoor space feel right at home.



01 round bowl - 02 pedestal - 03 long box - 04 garden bed
- 05 cube - 06 span - 07 window box

meet you
outside

veradek ——— outdoor