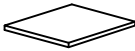
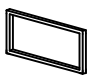
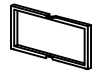








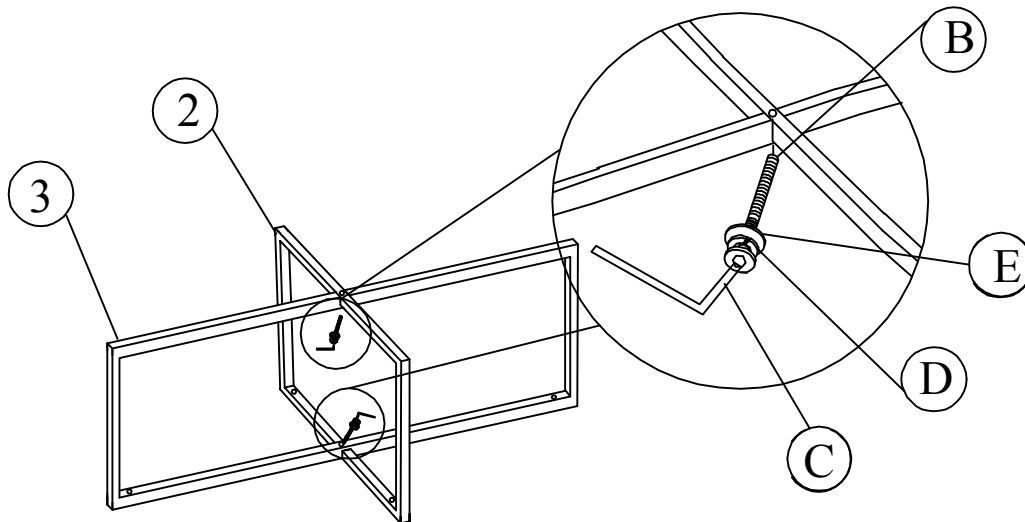
## IMPORTANT NOTE :

- Place all wooden parts on a clean and smooth surface such as a rug or carpet to avoid the parts from being scratched.
- Check to be sure that you have all parts and hardware.
- Remove all wrapping materials, including staples & packing straps before you start to assemble.
- Do not tighten all screws / bolts until all completely assembled.
- Keep all hardware parts out of reach of children.

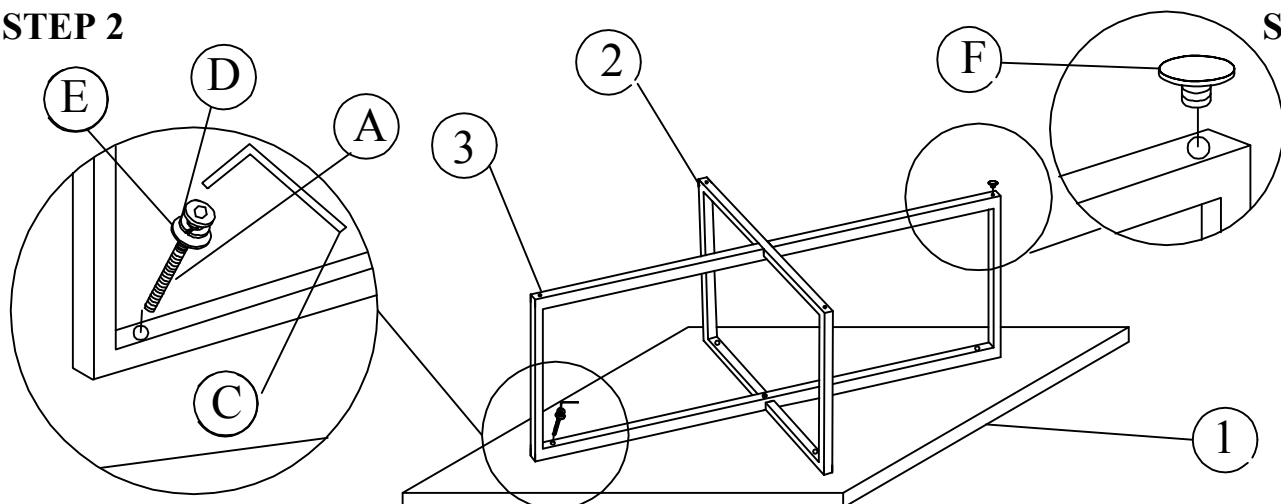
PART LIST			
NO	DESCRIPTION	QTY/PCS	
1	 TABLE TOP	1 PC	
2	 TABLE LEG-1	1 PC	
3	 TABLE LEG-2	1 PC	

PART LIST			
NO	DESCRIPTION	QTY/PCS	
A	 BOLT M6 x 35MM	4 PC	
B	 BOLT M6 x 15MM	2 PC	
C	 ALLEN KEY M4 x 60MM	1 PC	
D	 SPRING WASHER M6 x 12MM	6 PC	
E	 FLAT WASHER M6 x 19MM	6 PC	
F	 LEVELLER	4 PC	

### STEP 1



### STEP 2



### STEP 3

