



**Lustra™**  
Commercial Elongated Toilet Seat  
**K-4670-CA**

**Features**

- Elongated, open-front toilet seat.
- Made of solid polypropylene and is resistant to staining, fading, chipping and peeling.
- Includes an antimicrobial agent that protects the toilet seat from odor- and stain-causing bacteria, mold and mildew. Antimicrobial agent does not protect the user from disease-causing bacteria.
- Check hinge.



**Codes/Standards**

None Applicable

**KOHLER® One-Year Limited Warranty**

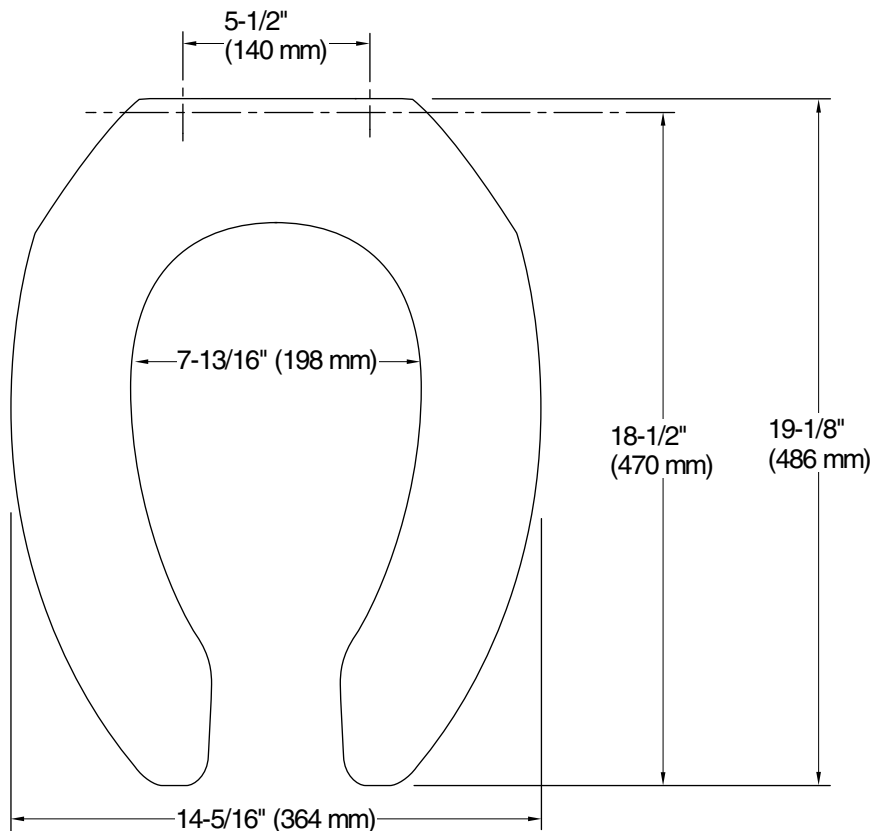
See website for detailed warranty information.

**Available Colors/Finishes**

*Color tiles intended for reference only.*

**Color Code Description**

	0	White
--	---	-------



### Technical Information

All product dimensions are nominal.

Seat shape type: Elongated  
Seat front type: Open-front  
Seat hinge type: Check  
Seat-mounting holes: 5-1/2" (140 mm)

### Notes

Install this product according to the installation guide.